

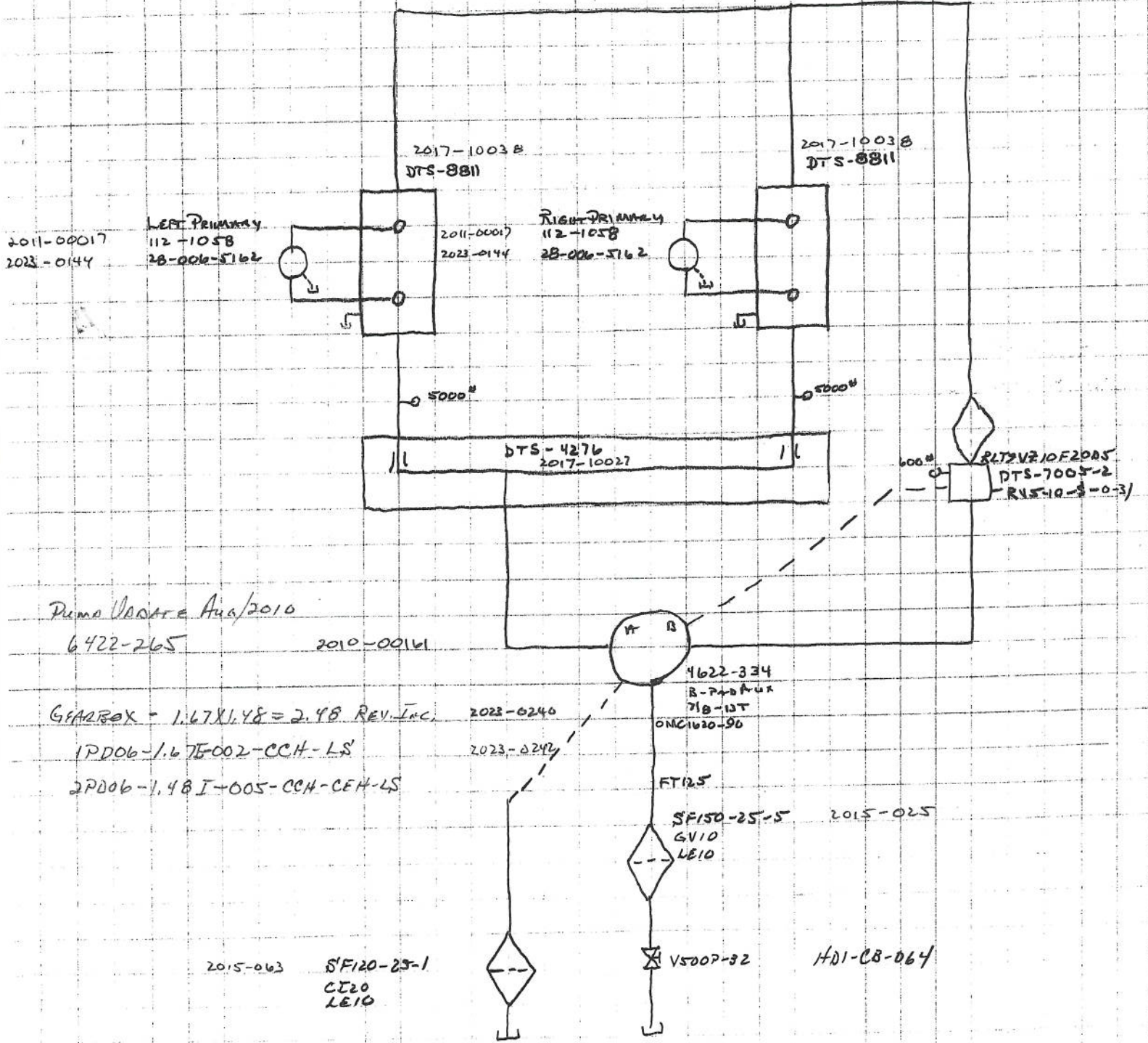
#09035

JA Farms LTD

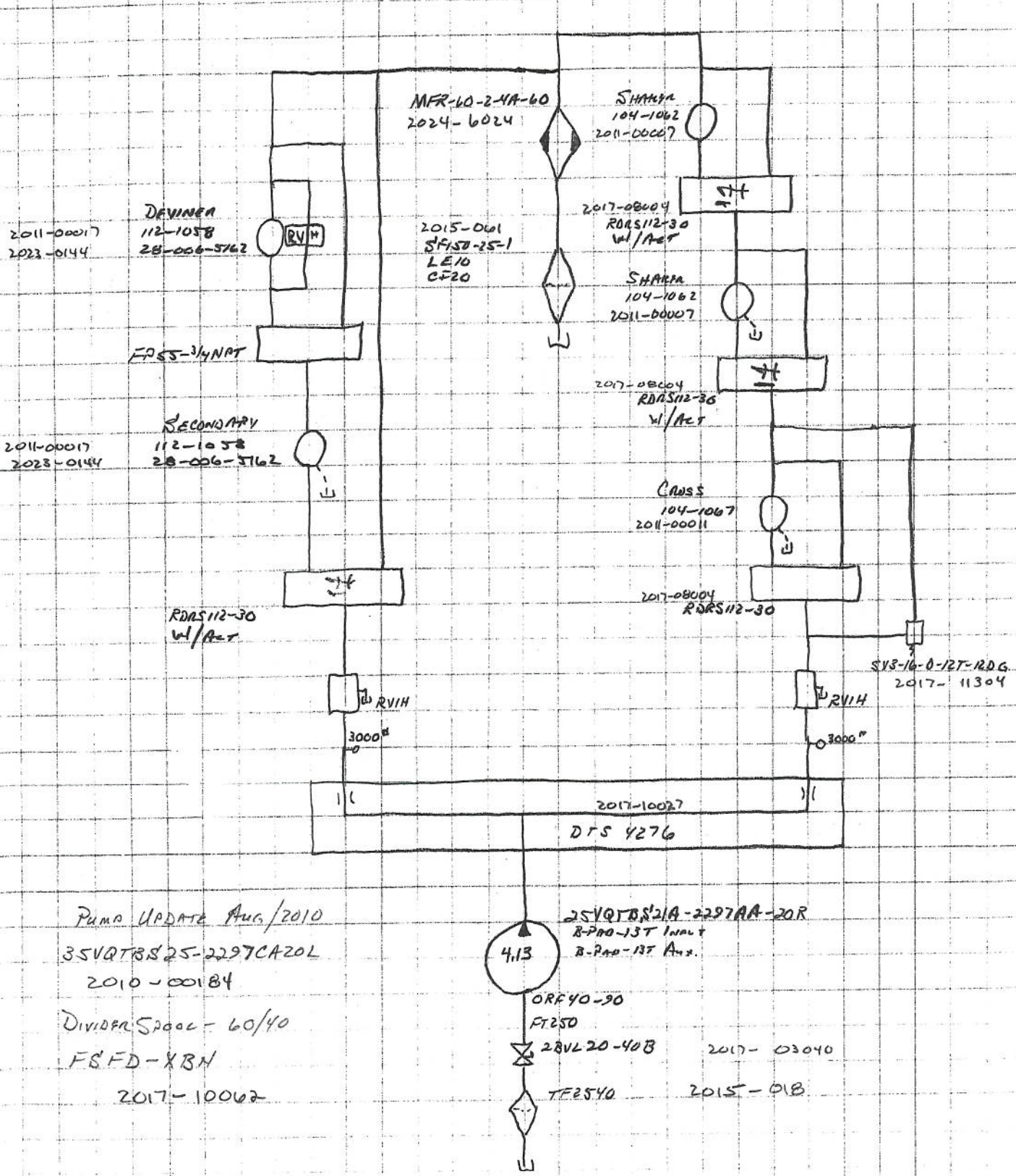
GRPTW w/ACE Stantable

2101-1
 #09035
 TA Friends LTD
 6RPTW

PULL TYPE WINDOWER



#10100
#09035
TA FARMS LTD
6RPTW



Pump UPDATE Aug/2010
3SVQTBSS25-2297CA20L
2010-00184
DIVIDER SPOOL - 60/40
FSFD-XBN
2017-10062

2SVQTBSS21A-2297AA-20R
B-PAD-13T Inlet
B-PAD-13T Exit
ORF40-30
FT250
28VL20-40B 2017-03040
TF2540 2015-018

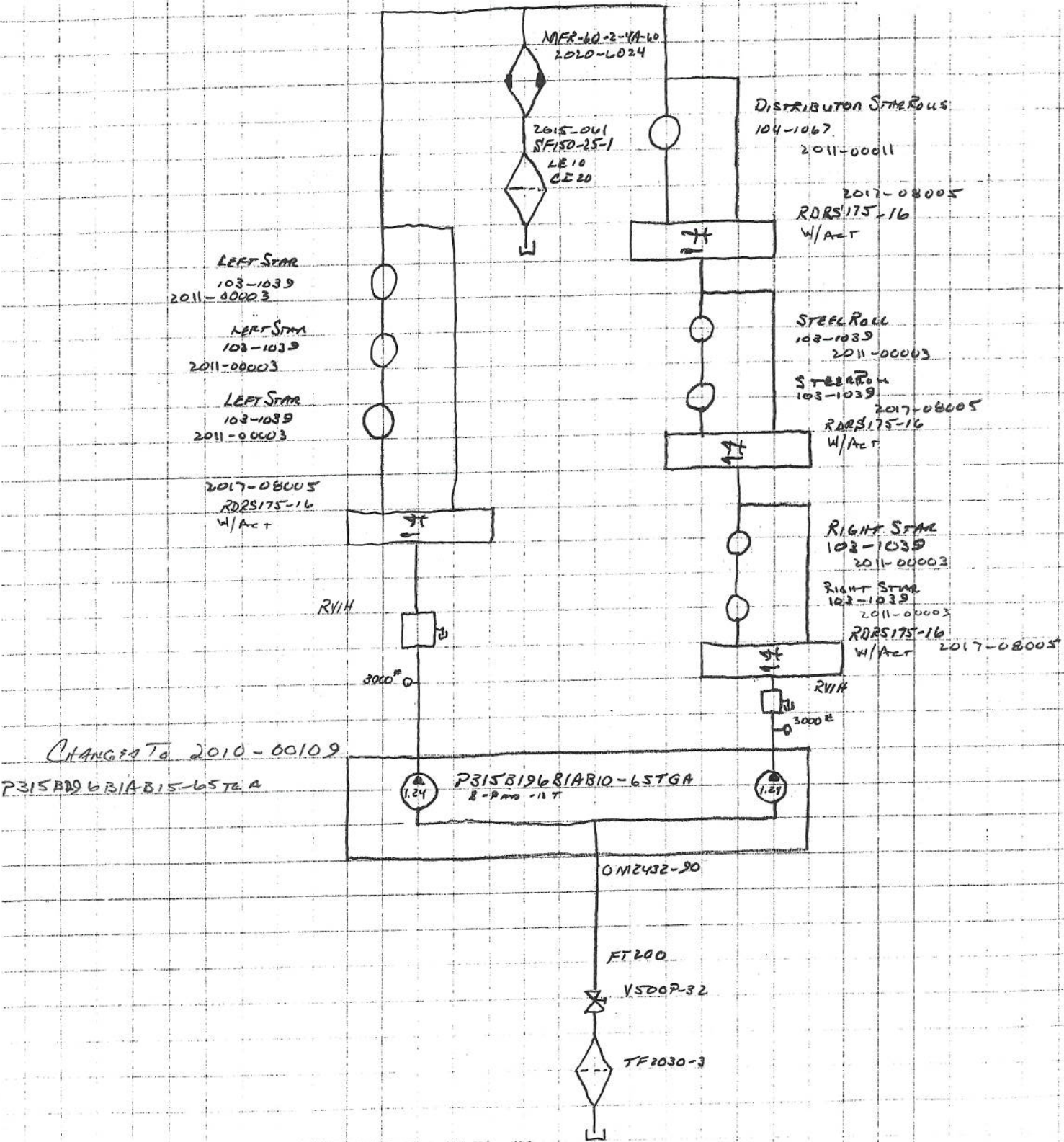
Pellet Type Wheel Power

10/10/03

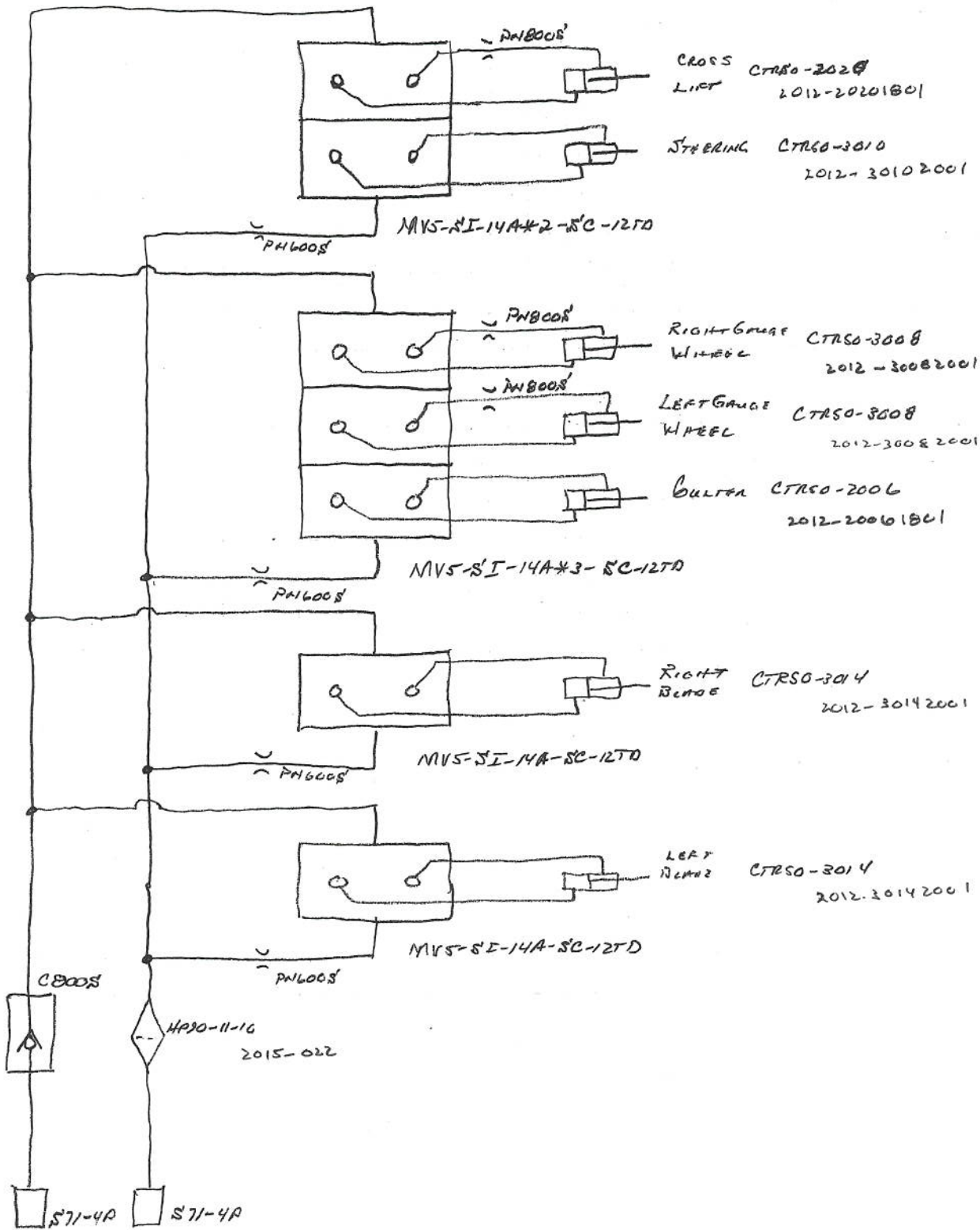
EG9035

TAFARM LTD

URPTW



6/8/03
 509035
 T A FARM LTD
 BRATH



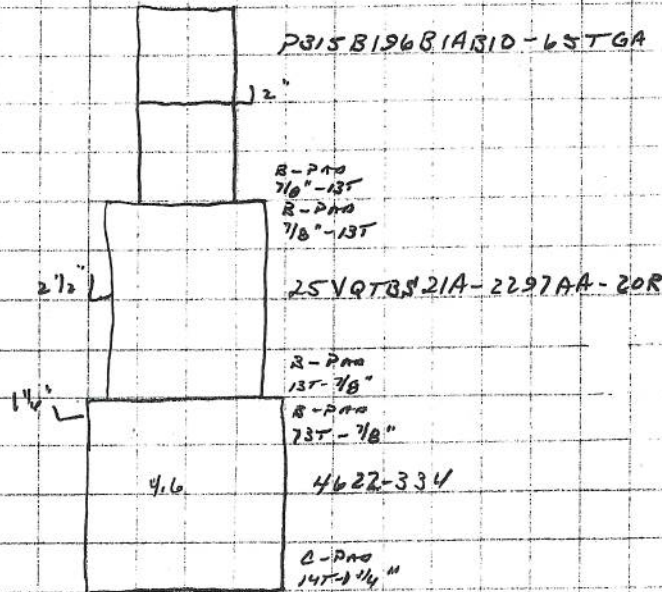
PULL TYPE W/IMPROVING

10/21/09

#09035

TA FARMS LTD

6RPTW



HDI-CB-064

REVISAO -

6/22/09

30A 1 COOLFA FAN	20A 2 CYLINDRAS REVERSE	20A 3 ACTUATORS CONV. SOL'S.	20A 4 FLASHERS
---------------------------	----------------------------------	---------------------------------------	----------------------

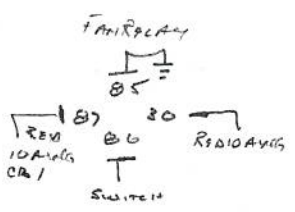
BLACK-KAR-TECH
BLACK-10K POT
CLEAR-4.6 PIN D COIL #2
ACTUATORS
FRAME GROUND.

6'6" TONGUE TO JUNCTION #09035
11'6" TONGUE TO CONTROL POT TA-FARMS LTD
8' POWER GROUND 10AWG. 6RPTW

KAR-TECH

GREEN TO (BELOW B762) CLEAR TO PIN "C" COIL #2
(BELOW B762) BLACK TO PIN "D" COIL #2 TO PANEL GROUND
BLUE TO PIN #2 ON POT
ORANGE TO 2KΩ RESISTOR TO PIN #3 ON POT
RED TO PRIMARY - ON/OFF SWITCH
BLACK TO PANEL GROUND

3 PIN POWER SUPPLY
PIN #1 - RED +12VDC
2 - BLACK \pm BATT
3 -



2X464
FAN
RED

2X464
FLASHERS
YELLOW 5

0 TGA10
POWER ON
WHEN LIT

2X464
POWER
ON/OFF

STAR TABLE

STEEL ROLL

0 SS208C-BK LEFT WHITE 65 PURPLE 66	0 SS208C-BK RIGHT BROWN 37 GREEN 38	0 SS208C-BK DISTRIBUTOR ORANGE 145 BLUE 146
--	--	--

0 SS208C-BK SPEED RED 149 YELLOW 150	0 SS208C-BK SPACE BLACK 151 RED 152
---	--

P R I M A R Y

0 4X203 STEER LT/RT BLACK 17 BLACK 22	0 4X203 CROSS UP/DN BLUE 29 (UA) WHITE 28 (DN)
---	--

0 TGA10
ON WHEN LIT
SPEED
10K \downarrow | 2K \downarrow
BLACK BLUE KAR-TECH

0 LEFT 55088 ORANGE 14 (FORWARD) ORANGE 19 (REVERSE)	0 RIGHT 55088 ORANGE 30 (FORWARD) GREEN 31 (REVERSE)
---	---

SPEED CONTROLS

0 SS208C-BK LEFT BLUE 13 BLUE 24	0 SS208C-BK RIGHT RED 32 YELLOW 33	0 SS208C-BK SECONDARY ORANGE 4 ORANGE 9
---	---	--

0 PRIMARY ON/OFF RED IN KAR-TECH	0 CROSS ON/OFF BROWN 21
---	----------------------------------

C Y L I N D E R S

0 4X203 LEFT BLUE 8 (UA) BLUE 3 (DN)	0 4X203 RIGHT BROWN 38 (UA) BROWN 36 (DN)	0 4X203 COUNTER RED 2 (UA) RED 7 (DN)
---	--	--

0 4X203 MASTER RED 11B (UA) BLACK 119 (DN)	0 4X203 LEFT RED 18 (UA) RED 23 (DN)	0 4X203 RIGHT WHITE 35 (UA) BROWN 39 (DN)
---	---	--

09035

TA FARMS LTD.

6/22/09

6RPTW

PLUG #1

PIN

1	RED	2	COULTER MV5 VALVE UP
2	BLUE	3	LEFT LEVELING MV5 VALVE DOWN
3	ORANGE	4	SECONDARY RDRS112-30 ACTUATOR
4	YELLOW	5	FLASHERS
5			
6	RED	7	COULTER MV5 VALVE DOWN
7	BLUE	8	LEFT LEVELING MV5 VALVE UP
8	ORANGE	9	SECONDARY RDRS112-30 ACTUATOR
9	BLUE	13	LEFT SHAKER RDRS112-30 ACTUATOR
10	ORANGE	14	LEFT PRIMARY REVERSING - FORWARD
11	BLACK	17	STEERING MV5 VALVE
12	RED	18	LEFT BLADE MV5 VALVE UP
13	ORANGE	19	LEFT PRIMARY REVERSING - REVERSE
14	BROWN	21	CROSS CONVEYOR SWITCH TO SV3-16 SOLENOID
15	BLACK	22	STEERING MV5 VALVE
16	RED	23	LEFT BLADE MV5 VALVE DOWN
17	BLUE	24	LEFT SHAKER RDRS112-30 ACTUATOR
18	WHITE	28	CROSS CONVEYOR MV5 VALVE UP
19	BLUE	29	CROSS CONVEYOR MV5 VALVE DOWN
20	ORANGE	30	RIGHT PRIMARY REVERSING - FORWARD
21	GREEN	31	RIGHT PRIMARY REVERSING - REVERSE
22	RED	32	RIGHT SHAKER RDRS112-30 ACTUATOR
23	YELLOW	33	RIGHT SHAKER RDRS112-30 ACTUATOR
24			
25	WHITE	35	RIGHT BLADE MV5 UP
26	BROWN	36	RIGHT LEVELING MV5 DOWN
27	BROWN	39	RIGHT BLADE MV5 DOWN
28	BROWN	38	RIGHT LEVELING MV5 UP
29	RED	118	MASTER BLADE UP
30	BLACK	119	MASTER BLADE DOWN
31			
32			
33			
34			
35			
36	BELDEN	8762	CLEAR TO PIN "C" COIL #2 - GREEN FROM KAR-TECH CONTROLLER
37	BELDEN	8762	BLACK TO PIN "D" COIL #2 TO PANEL GROUND

3 - PIN PLUG

PIN #	1	RED	+ 12VDC POWER SUPPLY	8 AWG
	2	BLACK	- GROUND	8 AWG
	3			
PIN #	1	RED	+ 12VDC POWER TO COOLER FANS	10 AWG
	2	BLACK	- PANEL GROUND TO FRAME GROUND	10 AWG
	3			

09035

TA FARMS LTD.

6/22/09

6RPTW

PLUG #1

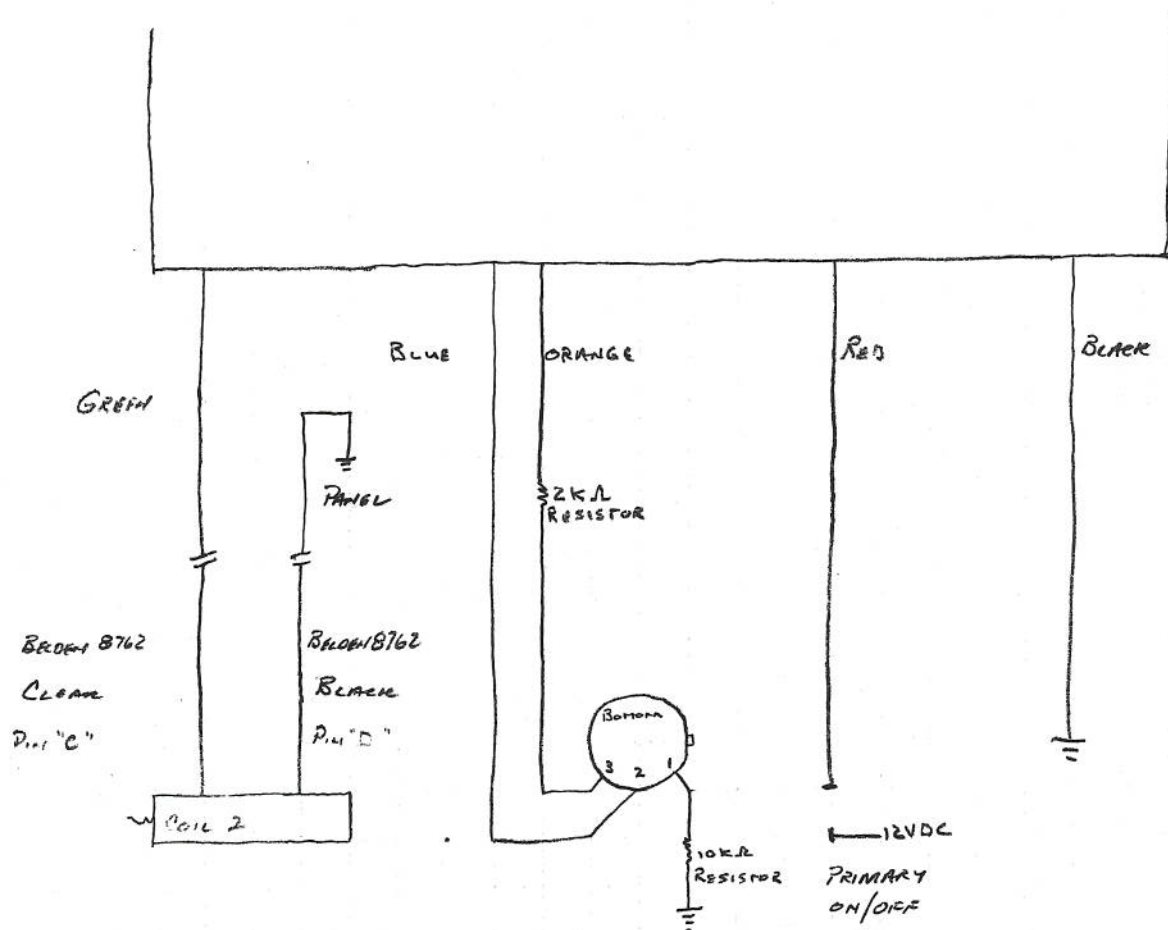
PIN #

1	WHITE	65	LEFT STAR TABLE RDRS112-30 ACTUATOR	
2	PURPLE	66	LEFT STAR TABLE RDRS112-30 ACTUATOR	
3	BROWN	37	RIGHT STAR TABLE RDRS112-30 ACTUATOR	
4	GREEN	38	RIGHT STAR TABLE RDRS112-30 ACTUATOR	
5	ORANGE	145	RIGHT STAR TABLE DISTRIBUTOR RDRS112-30 ACTUATOR	
6	BLUE	146	RIGHT STAR TABLE DISTRIBUTOR RDRS112-30 ACTUATOR	
7	RED	149	STEEL ROLL RDRS112-30 ACTUATOR	
8	YELLOW	150	STEEL ROLL RDRS112-30 ACTUATOR	
9	BLACK	151	STEEL ROLL SPACE ACTUATOR	
10	RED	152	STEEL ROLL SPACE ACTUATOR	
11				
12				
13				
14				
15				
16				

3/29/07
6RPTW

KAN-TECH ELECTRONIC PUMP CONTROLLER 21-017-2-A

HEAVY DUTY - C.W. ROTATION



OO	ZZ	= ADJUST MINIMUM SETTING
OO	XX	= ADJUST MAXIMUM SETTING
OO	DD	= ADJUST RAMP UP SETTING
OO	DD	= ADJUST RAMP DOWN SETTING
OO	ON	= OUTPUT SELECTION (1 OR 2)

OUTPUT SELECTION

PARAMETER SELECTION

PROPORTIONAL OUTPUT SETTINGS ARE CHANGEABLE WITHOUT THE PALM PILOT UTILIZING THE ON-BOARD JUMPERS AND ADJUSTMENT POTENTIOMETER. USE THE FOLLOWING PROCEDURE:

SELECT WHICH OUTPUT'S PARAMETERS TO CHANGE USING THE "O2" SHORTING JUMPER. WHEN THE "O2" PINS ARE SHORTED USING THE JUMPER, PROPORTIONAL INPUT #2 IS SELECTED. WHEN THE PINS ARE NOT SHORTED TOGETHER, OUTPUT 1 IS SELECTED.

SELECT THE DESIRED PARAMETER TO CHANGE BY TALLING A SHORTING JUMPER ON THE RESPONDING SET OF PINS AS SHOWN ABOVE:

"1" TO ADJUST THE MINIMUM PROPORTIONAL OUTPUT SETTING. SET ANALOG INPUT SIGNAL (POTENTIOMETER, STICK) TO ITS LOWEST POSITION, ADJUST "MN" AND MINOR OUTPUT TO VALVE FOR DESIRED VALUE.

"2" TO ADJUST THE MAXIMUM PROPORTIONAL OUTPUT SETTING. SET ANALOG INPUT SIGNAL (POTENTIOMETER, STICK) TO ITS MAXIMUM POSITION, ADJUST "MX" AND MINOR OUTPUT TO VALVE FOR DESIRED VALUE.

"3" TO ADJUST THE RAMP UP SETTING.

"4" TO ADJUST THE RAMP DOWN SETTING.

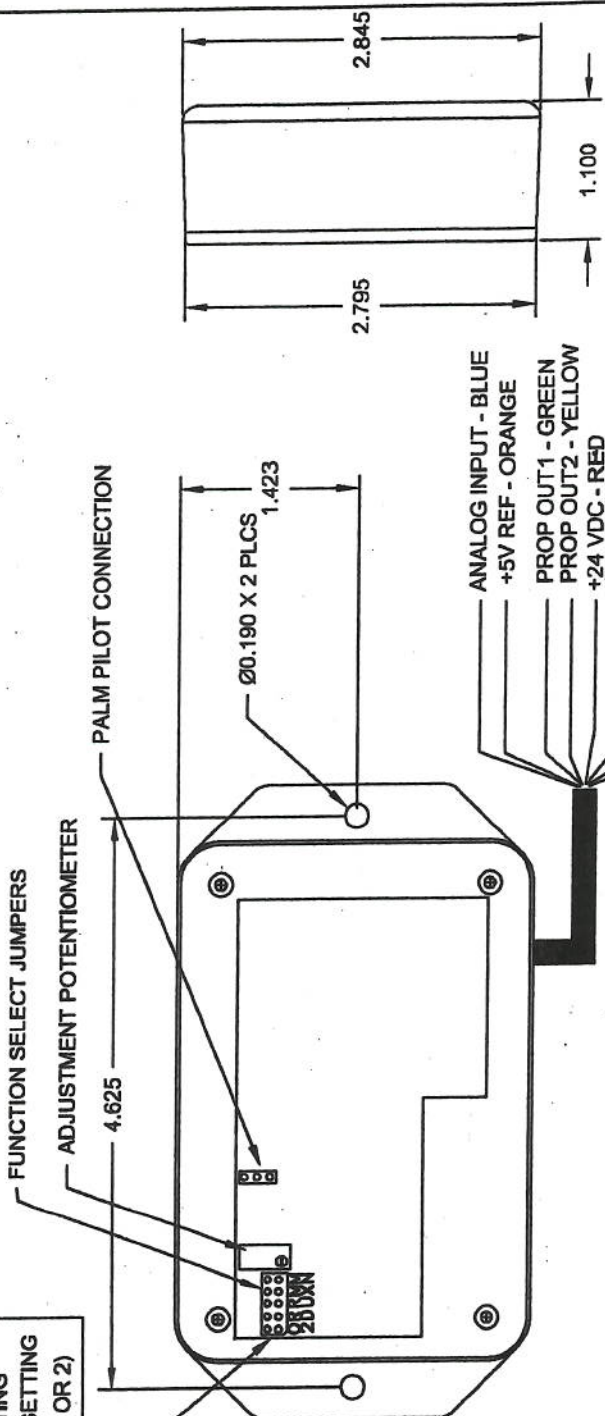
ADJUST THE VALUE TO THE DESIRED SETTING USING THE ADJUSTMENT POTENTIOMETER SHOWN ON THE DRAWING.

SAVE THE PARAMETER BY REMOVING THE JUMPER FROM THE SELECTED PARAMETER PINS. DO NOT CHANGE THE STATE OF THE "O2" PINS BEFORE MOVING THE JUMPER FROM THE PARAMETER PINS. THE SETTING MAY NOT BE SAVED IN MEMORY.

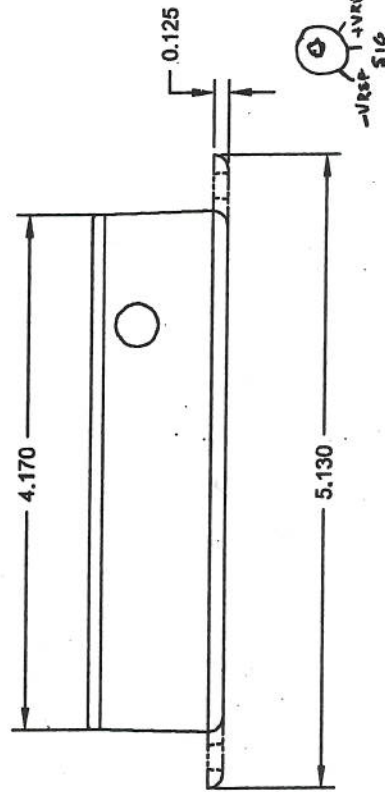
REPEAT PROCEDURE TO CHANGE ANY AND ALL PARAMETERS FOR THE 2 PROPORTIONAL OUTPUTS. REMEMBER TO REMOVE THE PARAMETER JUMPER BEFORE SELECTING WHICH OUTPUT TO CHANGE USING THE "O2" JUMPER.

REMOVE BOTH JUMPERS AND PLACE HORIZONTALLY IN STORAGE ON TWO ADJACENT PINS

SEE MANUAL FOR INSTRUCTIONS ON HOW TO SET THE PARAMETERS USING A PALM PILOT.



Blue To Pot Signal
Orange To Pot +VREF w/2k Resistor
Green To Pot 24VDC
Red To Pot 24VDC
Purple To Pot 24VDC
White To Pot 24VDC



REF: KAR-TECH

REV		DATE		BY		CHK		APP		SCALE		SHEET		TOTAL	
1		01-01-88													
DESCRIPTION															
DIGITAL VALVE DRIVER															
CAD DRAWING DO NOT REVISE MANUALLY															
DRAWN BY															
CHECKED BY															
DATE															
SCALE															
SHEET															
TOTAL															
21-017-2-A-2 B															

KAR-TECH
Delafield, WI 53018