

#07018

TUpline

6RPTW

HYDRAULICS FINISH MATERIALS LIST

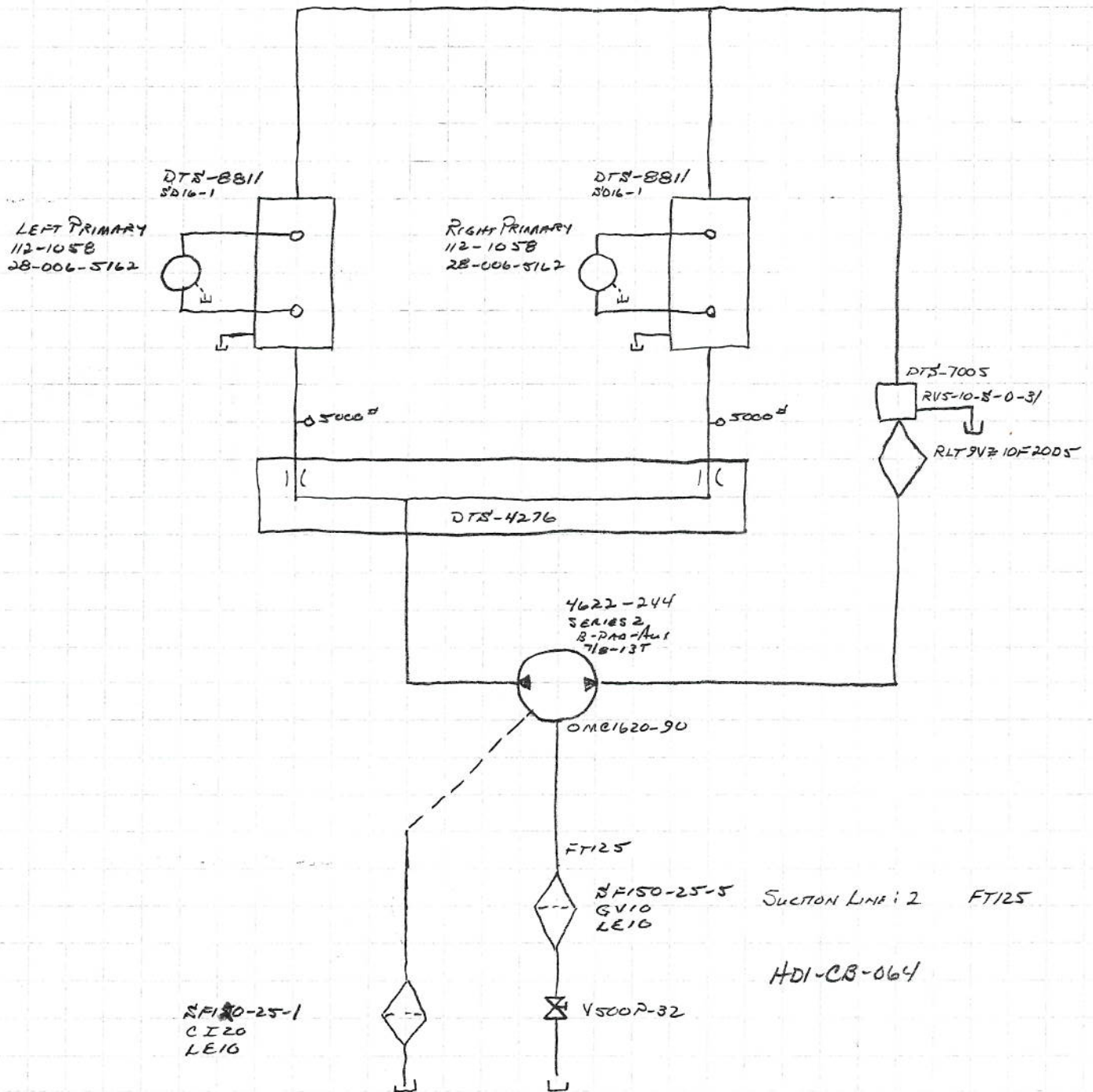
BEGINNING DATE
END DATE

PROJECT NO.
SERVICE KIT

QTY	PART NUMBER	DESCRIPTION
1	2015-003	HP 2610
3	2015-014	LE10
1	2015-010	9V210
2	40000-004	CHAIN TOOL
1	30003-004	RIVET CUTTER
1	H90K	O-RING KIT
1	H70K	O-RING KIT
1		600 [#] GAUGE
1		5000 [#] GAUGE
2	871 FS 12x04	TEST TEE
2	20039-011	DGA 20-1/4 NPT
2	20040-011	TCM 20-3/8 UNF N
2		602 S7 SNABBER
2	830 FS 06	
2	830 FS 08	
2	830 FS 10	
2	830 FS 12	
2	830 FS 16	
2	839 FS 06	
2	839 FS 08	
2	839 FS 10	
2	839 FS 12	
2	839 FS 16	
2	721 FSD 04 A	
2	721 FSD 06	
2	721 FSD 08	
2	721 FSD 10	
2	721 FSD 12	
2	721 FSD 16	

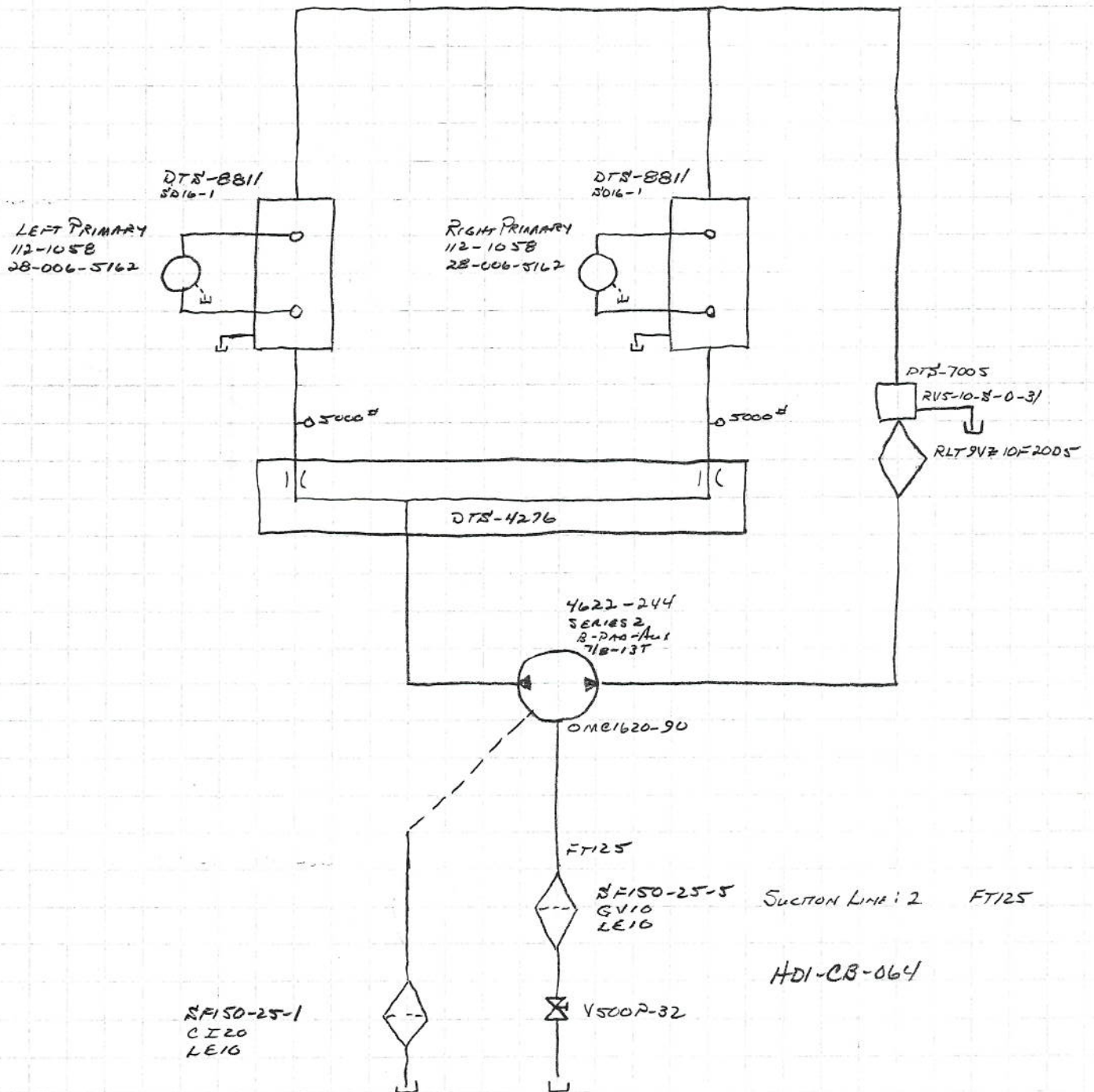
PULL TYPE WINDROWER

3/30/07
#07018
TUPLING FARMS
6RPTW



PULL TYPE WINDROWER

3/30/07
#07018
TUPLING FARMS
6RPTW1



Item Number	Item Description	Bin #	Quantity
000000.00	Brake Fitting	06-E04C	
000000.11	Fitting for Case Drain on Poclains	06-E02C	
10673-12-12 20027-011	3/4" Hose End		
10673-16-16 20028-011	1" Hose End		
125HBL-4-6 20047-011	Hose Barb To Male Pipe		
12PA 5151HK-12 20045-011	3/4" SAE Split Flange Code 61		
12PH 20058-011	MS-18 3/4" Split Flange	06-D12B	
1303-1.6 20055-013	1.6 GPM Vonberg Flow Control (Cool)	06-E04E	
1304-3 20076-013	3 GPM Vonberg Flow Controls	06-E05E	
1304-5 20077-013	5 GPM Vonberg Flow Control	06-E06E	
1501-04x04 20050-011	NPT Male To 90 NPT Female Swivel		
1501-06x06 20051-011	NPT Male To 90 NPT Female Swivel		
1501-08x08 20052-011	NPT Male To 90 NPT Female Swivel		
1501-12x12 20053-011	NPT Male To 90 NPT Female Swivel		
1501-16x16 20054-011	NPT Male To 90 NPT Female Swivel		
16-4XHX6G5TP-S 20032-011	Parker 1" JIC Diag Tee Test Unit Ftg		
1V1990	Back Pressure Valve for CS11RDE	06-E03B	
2-SFK-48 20015-011	Split Flange Kit		
20PA 5151HK-20 20049-011	1 1/4" SAE Flange Kit Code 61		1
20PH	1 1/4" Split Flange	06-D12P	
2406 08-12	1/2" x 3/4" JIC Increaser	06-E01E	
2406 12-16	3/4" x 1" JIC Increaser	06-E02E	
2406 16-20	1" x 1 1/4" JIC Increaser	06-E03E	
2406 24-20	1 1/4" x 1 1/2" JIC Increaser	06-E02B	
24PA 5151HK-24 20048-011	1 1/2" SAE Flange Kit Code 61		
24SA 04	1/4" NPT Hydraulic Nipple	06-D04N	
24SA 06	3/8" NPT Hydraulic Nipple	06-D03N	
24SA 08	1/2" NPT Hydraulic Nipple	06-D02N	1
24SA 12	3/4" NPT Hydraulic Nipple	06-D01N	
24SA 16	1" NPT Hydraulic Nipple	06-D09M	
24SB 06x04	3/8" x 1/4" NPT Hydraulic Bushing	06-D03P	
24SB 08x04	1/2" x 1/4" NPT Hydraulic Bushing	06-D02P	
24SB 08x06	1/2" x 3/8" NPT Hydraulic Bushing	06-D09O	
24SB 12x04	3/4" x 1/4" NPT Hydraulic Bushing	06-D01P	
24SB 12x06	3/4" x 3/8" NPT Hydraulic Bushing	06-D08O	
24SB 12x08	3/4" x 1/2" NPT Hydraulic Bushing	06-D07O	
24SB 16x08	1" x 1/2" NPT Hydraulic Bushing	06-D06O	
24SB 16x12	1" x 3/4" NPT Hydraulic Bushing	06-D05O	
24SB 20x12	1 1/4" x 3/4" NPT Hydraulic Bushing	06-D04O	
24SB 20x16	1 1/4" x 1" NPT Hydraulic Bushing	06-D03O	
24SB 24x16	1 1/2" x 1" NPT Hydraulic Bushing	06-D02O	1
24SB 24x20	1 1/2" x 1 1/4" NPT Hydraulic Bush.	06-D01O	
24SJ 04	1/4" NPT Hydraulic Coupler	06-D09N	VI

Turbine
 ERPTW
 07618

24SJ 06	3/8" NPT Hydraulic Coupler	06-D08N	
24SJ 08	1/2" NPT Hydraulic Coupler	06-D07N	
24SJ 12	3/4" NPT Hydraulic Coupler	06-D06N	
24SJ 16	1" NPT Hydraulic Coupler	06-D05N	
25UG 04	1/4" NPT Hydraulic 90 St. El.	06-D03R	
25UG 06	3/8" NPT Hydraulic 90 St. El.	06-D02R	
25UG 08	1/2" NPT Hydraulic 90 ST. EL.	06-D01R	
25UG 12	3/4" NPT Hydraulic 90 ST. EL.	06-D09Q	
25UG 16	1" NPT Hydraulic 90 ST. EL.	06-D08Q	
25VC 06	3/8" NPT Hydraulic Male-Female Tee	06-D02Q	
25VC 12	3/4" NPT Hydraulic Male-Female Tee	06-D01Q	
25VJ 04	1/4" NPT Hydraulic Female Tee	06-D07Q	
25VJ 06	3/8" NPT Hydraulic Female Tee	06-D06Q	
25VJ 08	1/2" NPT Hydraulic Female Tee	06-D05Q	
25VJ 12	3/4" NPT Hydraulic Female Tee	06-D04Q	
25VJ 16	1" NPT Hydraulic Female Tee	06-D03Q	
25VK 08	1/2" NPT Hydraulic Service Tee	06-D05P	
25VK 12	3/4" NPT Hydraulic Service Tee	06-D04P	
270003001	1/8" NPT Breather	06-E07D	
270003015	1/4" NPT Breather	06-E07E	
3269 04-04	1/4" NPT x 1/4" Oring Adapter	06-D01T	
3269 06-04	1/4" NPT x 3/8" Oring	06-D08S	
3269 06-06	3/8" NPT x 3/8" Oring Adapter	06-D07S	
3269 08-04	1/4" NPT x 1/2" Oring Adapter	06-D06S	
3269 08-06	3/8" NPT x 1/2" Oring Adapter	06-D05S	
3269 08-08	1/2" NPT x 1/2" Oring Adapter	06-D04S	
3269 08-12	1/2" O'ring x 3/4" NPT Adapter	06-E04B	
3269 10-06	3/8" NPT x 5/8" Oring Adapter	06-D03S	
3269 10-08	1/2" NPT x 5/8" Oring Adapter	06-D02S	
3269 10-12	3/4" NPT x 5/8" Oring	06-D01S	
3269 12-08	1/2" NPT x 3/4" Oring	06-D09R	
3269 12-12	3/4" NPT x 3/4" Oring	06-D08R	
3269 16-12	3/4" NPT x 1" Oring Adapter	06-D07R	
3269 16-16	1" NPT x 1" Oring Adapter	06-D06R	
3269 20-20	1 1/4" NPT x 1 1/4" Oring Adapter	06-D05R	
3800 08x06	8 JIC to	06-E02D	
500454-10S 20018-011	Hydraulic Fitting		
500454-12S 20019-011	Hydraulic Fitting		
500454-16S 20020-011	Hydraulic Fitting		
500454-6S 20016-011	Hydraulic Fitting		
500454-8S 20017-011	Hydraulic Fitting		
504095-12S 20025-011	Hydraulic Fitting		
5406-4-2 20035-011	Tompkins Hex Reducer Test Unit Fitng		
5406-6-4 20036-011	Tompkins Hex Reducer Test Unit Fitng		

5406-8-4 20037-011	Tompkins Hex Reducer Test Unit Fitting		
5602-8 20034-011	Tompkins Street Tee Test Unit Fitting		
5E434	1/2" Gas ball Valve	06-E07C	
5E435 22022-023	3/4" Gas Ball Valve	06-E07C	
60SA 04x04	1/4" NPT male x 1/4" NPT Female	06-D03U	
60SA 06x04	3/8" NPT male x 1/4" NPT female	06-D02U	
60SA 06x06	3/8" NPT male x 3/8" NPT female	06-D01U	
60SA 06x08	3/8" NPT male x 1/2" NPT Female	06-D09T	i
60SA 08x06	1/2" NPT male x 3/8" NPT female	06-D08T	
60SA 08x08	1/2" NPT male x 1/2" NPT female	06-D07T	
60SA 08x12	1/2" NPT male x 3/4" NPT female	06-D06T	
60SA 12x08	3/4" NPT male x 1/2" NPT female	06-D05T	
60SA 12x12	3/4" NPT male x 3/4" NPT female	06-D04T	
60SA 12x16	3/4" NPT male x 1" NPT female	06-D03T	
60SA 16x12	1" NPT male x 3/4" NPT female	06-D02T	
60SB 04x04	1/4" Oring x 1/4" Swivel Female	06-E01B	
60SB 06x04	3/8" Oring x 1/4" NPT female	06-D02V	
60SB 06x06	3/8" Oring x 3/8" NPT female	06-D01V	
60SB 06x08	3/8" Oring x 1/2" NPT female	06-D09U	
60SB 08x06	1/2" Oring x 3/8" NPT female	06-D08U	
60SB 08x08	1/2" Oring x 1/2" NPT female	06-D07U	
60SB 08x12	1/2" Oring x 3/4" NPT female	06-D06U	
60SB 12x08 20026-011	3/4" Oring x 1/2" NPT female	06-D05U	
60SB 12x12	3/4" Oring x 3/4" NPT female	06-D04U	
60UB 04x04	1/4" Oring x 1/4" NPT female 90	06-D02W	
60UB 04x06	1/4" Oring x 3/8" NPT female 90	06-D01W	
60UB 06x04	3/8" Oring x 1/4" NPT female 90	06-D09V	
60UB 06x06	3/8" Oring x 3/8" NPT female 90	06-D08V	
60UB 06x08	3/8" Oring x 1/2" NPT female 90	06-D07V	
60UB 08x06	1/2" Oring x 3/8" NPT Female 90	06-D06V	
60UB 08x08	1/2" Oring x 1/2" NPT female 90	06-D05V	
60UB 08x12	1/2" Oring x 3/4" NPT female 90	06-D04V	
60UB 12x12	3/4" Oring x 3/4" NPT female 90	06-D03V	
63SE 12x12	3/4" Male JIC x 3/4" Flange	06-D12M	
63SE 12x16	3/4" Male JIC x 1" Flange	06-D12I	
63SE 16x16	1" Male JIC x 1" Flange	06-D12G	
63SE 16x20	1" Male JIC x 1 1/4" Flange	06-D12P	
63SF 12x12	3/4" Male JIC x 3/4" Flange	06-D12N	
63SF 12x16	3/4" Male JIC x 1" Flange	06-D12J	
63SF 16x16	1" male JIC x 1" Flange	06-D12H	1
63SF 16x20	1" Male JIC x 1 1/4" Flange	06-D12P	
63TA 06x06	3/8" JIC 45 Sweep	06-D09X	
63TA 08x08	1/2" JIC 45 Sweep	06-D08X	ii
63TA 10x10			

63TA 12x12	3/4" JIC 45 Sweep	06-E07A	
63TA 16x16	1" JIC 45 Sweep	06-E06B	
63TF 12x16			
63TF 16x16		06-D11H	
63TF 16x20	45" flange fitting	06-D12E	
63UA 06x06	3/8" JIC 90 Sweep	06-D07X	
63UA 08x08	1/2" JIC 90 Sweep	06-DC6X	
63UA 10x10	90 Degree JIC Elbow	06-E05B	
63UA 12x12	3/4" JIC 90 Sweep	06-E06A	XX
63UA 16x16	1" JIC 90 Sweep	06-E05A	
63UC 06x06 20041-011	3/8" JIC 90 Sweep		
63UC 08x08 20042-011	1/2" JIC 90 Sweep		
63UC 12x12	3/4" JIC 90 Sweep	06-E04A)
63UC 16x16	1" JIC Long 90 Sweep	06-E03A	
63UE 12x16	3/4" Male JIC x 1" Flange 90	06-D12K	
63UE 16x16	1" male JIC x 1" Flange 90	06-D12E	
63UE 16x20	1" JIC x 1 1/4" Flange 90	06-D12P	
63UE 20x20	1 1/4" Male JIC x 1 1/4" Flange 90	06-D12P	
63UF 12x12	3/4" Male JIC x 3/4" Flange 90	06-D12O	
63UF 12x16	3/4" Male JIC x 1" Flange 90	06-D12L	
63UF 16x16	1" Male JIC x 1" Flange	06-D12F	
63UF 16x20			
6402 06-06	3/8" Oring x 3/8" JIC female	06-D05X	
6402 06-08	3/8" Oring x 1/2" JIC Female	06-D04X	
6402 08-06	1/2" Oring x 3/8" JIC Female	06-D03X	
6402 08-08	1/2" Oring x 1/2" JIC Female	06-D02X	
6402 10-08	5/8" Oring x 1/2" JIC Female	06-D01X	
6402 12-12	3/4" Oring x 3/4" JIC female	06-D09W	
6402 16-16	1" Oring x 1" JIC female	06-D08W	
6402 20-20			
6403 NWO 12-08	3/4" Oring x 1/2" Oring	06-D07K	
6403 NWO 12-10	3/4" Oring x 5/8" Oring	06-D06K	
6403 NWO 12-12	3/4" Oring x 3/4" Oring	06-D05K	
6403 NWO 16-16	1" Oring x 1" Oring	06-D04K	
6404-6-4 20033-011	Tompkins Fml O-Ring Pipe Adptr		
6405 24x24	1 1/2" Pipe Female to 1 1/2" Oring	06-D04R	
6405 24x24	1 1/2" Pipe Female to 1 1/2" Oring	06-D11C	
6410 08x10	1/2 Oring Female x 5/8" Oring male	06-D07P	
6410 10x12	O- Ring Adapter	06-D07P	
6410 12x08	3/4" Female O'ring x 1/2" Male O'ring	06-D06P	
6505 06-06	3/8" NPT x 3/8" JIC female	06-D07W	
6505 08-06	1/2" NPT x 3/8" JIC female	06-D06W	
6505 12-12	3/4" NPT x 3/4" JIC female	06-D04W	
6505 16-16	1" NPT x 1" JIC Female	06-D03W	

88HB-16-16 20046-011	Beaded Hose Barb To Male Pipe	
721FSO 04	1/4" O'ring Plug Allen Head	06-DC8M
721FSO 06	3/8" Oring Plug Hex Head	06-DC6M
721FSO 06A	3/8" Oring Plug Allen Head	06-DC7M
721FSO 08	1/2" Oring Plug	06-DC5M
721FSO 10	5/8" Oring Plug	06-DC4M
721FSO 12	3/4" Oring Plug	06-DC3M
721FSO 16	1" Oring Plug	06-DC2M
721FSO 20	1 1/4" Oring Plug	06-DC1M
721FSO 24	1 1/2" Oring Plug	06-D09L
7400 06-14	3/8" JIC x metric (STS fitting)	06-E06C
7400 12-22	3/4" Jic x Metric Fitting (MS18)	06-E01C
7400 12-27	3/4" JIC x 27mm Metric Fitting	06-E-TOP
7400 16-27	1" JIC x Metric (STS Fitting)	06-E05C
830FS 06	3/8" JIC Cap	06-D03L
830FS 08	1/2" JIC Cap	06-D02L
830FS 10	5/8" JIC Cap	06-D01L
830FS 12	3/4" JIC Cap	06-D09K
830FS 16	1" JIC Cap	06-D08K
839FS 06	3/8" JIC Plug	06-D08L
839FS 08	1/2" JIC Plug	06-D07L
839FS 10	5/8" JIC Plug	06-D06L
839FS 12	3/4" JIC Plug	06-D05L
839FS 16	1" JIC Plug	06-D04L
840FS 08	1/2" Tube Sleeve	06-D01J
841FS 08	1/2" JIC Nut	06-D05J
841FS 12	3/4" JIC Nut	06-D04J
841FS 16	1" JIC Nut	06-D03J
841FS 20	1 1/4" JIC Nut	06-D02J
842FS 06	3/8" JIC Male Union	06-D09I
842FS 08	1/2" JIC Mal Union	06-D08I
842FS 10	5/8" JIC Male Union	06-D07I
842FS 12	3/4" JIC Male Union	06-D06I
842FS 16	1" JIC Male Union	06-D05I
844FS 06	3/8" JIC 3way Male Tee	06-D04F
844FS 08	1/2" JIC 3way Male Tee	06-D03F
844FS 12	3/4" JIC 3way Male Tee	06-D02F
845FS 06x06x04	3/8" JIC x 3/8" JIC x 1/4" NPT Tee	06-D07F
845FS 08	1/2" JIC x 1/2" NPT Tee	06-D06F
845FS 12	3/4" JIC x 3/4" NPT Tee	06-D05F
845FSO 06	3/8" JIC x 3/8" Oring Tee	06-D02G
845FSO 08	1/2" JIC x 1/2" Oring Tee	06-D01G
845FSO 12	3/4" JIC x 3/4" Oring Tee	06-D09F
845FSO 16	1" JIC x 1" Oring Tee	06-D08F

845FSO 16	1" JIC x 1" Oring Tee	06-D12A	
848FS 06x02	3/8" JIC x 1/8" NPT	06-D06B	/
848FS 06x04	3/8" JIC x 1/4" NPT	06-D04B	
848FS 06x06	3/8" JIC x 3/8" NPT	06-D03B	
848FS 06x08	3/8" JIC x 1/2" NPT	06-D01B	
848FS 08x04	1/2" JIC x 1/4" NPT	06-D05B	
848FS 08x06	1/2" JIC x 3/8" NPT	06-D02B	//
848FS 08x08	1/2" JIC x 1/2" NPT	06-D09A	///
848FS 08x12	1/2" JIC x 3/4" NPT	06-D06A	//
848FS 10x08	5/8" JIC x 1/2" NPT	06-D08A	
848FS 10x12	5/8" JIC x 3/4" NPT	06-D05A	
848FS 12x08	3/4" JIC x 1/2" NPT	06-D07A	
848FS 12x12	3/4" JIC x 3/4" NPT	06-D04A	
848FS 12x16	3/4" JIC x 1" NPT	06-D03A	
848FS 16x12	1" JIC x 3/4" NPT	06-D02A	
848FS 16x16	1" JIC x 1" NPT	06-D01A	/
848FSO 06x04	3/8" JIC x 1/4" Oring	06-D05D	
848FSO 06x06	3/8" JIC x 3/8" Oring	06-D04D	
848FSO 06x08	3/8" JIC x 1/2" Oring	06-D02D	
848FSO 08x06	1/2" JIC x 3/8" Oring	06-D03D	
848FSO 08x08	1/2" JIC x 1/2" Oring	06-D01D	
848FSO 08x10	1/2" JIC x 5/8" Oring	06-D08C	
848FSO 08x12	1/2" JIC x 3/4" Oring	06-D06C	
848FSO 08x16	1/2" JIC x 1" Oring	06-D02C	
848FSO 10x10	5/8" JIC x 5/8" Oring	06-D07C	
848FSO 12 x 10	3/4" JIC x 5/8" Oring	06-D05C	
848FSO 12x08	3/4" JIC x 1/2" Oring	06-D09C	
848FSO 12x12	3/4" JIC x 3/4" Oring	06-D04C	V V
848FSO 12x12	3/4" JIC x 3/4" Oring	06-D11A	X
848FSO 12x12	3/4" JIC x 3/4" Oring	06-D11B	
848FSO 12x16	3/4" JIC x 1" Oring	06-D01C	V
848FSO 12x20	3/4" JIC x 1 1/4" Oring	06-D08B	
848FSO 16x12	1" JIC x 3/4" Oring	06-D03C	
848FSO 16x16	1" JIC x 1" Oring	06-D09B	
848FSO 16x20	1" JIC x 1 1/4" Oring	06-D07B	/
848LFSO 12	3/4" JIC x 3/4" Oring Long	06-E02A	
848LFSO 16	1" JIC x 1" Oring Long	06-E01A	
849FS 06x02	3/8" JIC x 1/8" NPT 90	06-D02E	
849FS 06x04	3/8" JIC x 1/4" NPT 90	06-D01E	
849FS 06x06	3/8" JIC x 3/8" NPT 90	06-D09D	
849FS 06x08	3/8" JIC x 1/2" NPT 90	06-D08D	#
849FS 08x08	1/2" JIC x 1/2" NPT 90	06-D07D	
849FS 12x12	3/4" JIC x 3/4" NPT 90	06-D06D	
849FSO 06x04	3/8" JIC x 1/4" Oring 90	06-D01F	

849FSO 06x06	3/8" JIC x 3/8" Oring 90	06-D09E	
849FSO 06x08	3/8" JIC x 1/2" Oring 90	06-D08E	
849FSO 08x06			
849FSO 08x08	1/2" JIC x 1/2" Oring	06-D07E	
849FSO 10x10	5/8" JIC x 5/8" Oring	06-D06E	
849FSO 12x12	3/4" JIC x 3/4" Oring 90	06-D05E	/
849FSO 16x12	1" JIC x 3/4" Oring	06-D04E	
849FSO 16x16	1" JIC x 1" Oring 90	06-D03E	
851FS 06x06	3/8" JIC x 3/8" NPT Tee	06-D08G	
851FS 12x12	3/4" JIC x 3/4" NPT Tee	06-D07G	
851FSO 06	3/8" JIC x 3/8" Oring Tee	06-D03H	
851FSO 08	1/2" JIC x 1/2" Oring Tee	06-D02H	
851FSO 12	3/4" JIC x 3/4" Oring Tee	06-D01H	///
851FSO 16			
851FSO 20	1 1/4" JIC x 1 1/4" Oring Tee	06-D09G	
854FS 08x08	1/2" JIC x 1/2" NPT 45	06-D01I	
854FS 12x12	3/4" JIC x 3/4" NPT 45	06-D09H	
854FSO 08x08	1/2" JIC x 1/2" Oring 45	06-D04I	
854FSO 12x10	3/4" JIC x 5/8" Oring 45	06-D03I	
854FSO 12x12	3/4" JIC x 3/4" Oring 45	06-D02I	
871FS 06	3/8" JIC x 3/8" JIC Swivel Tee	06-D08H	
871FS 08	1/2" JIC x 1/2" JIC Swivel Tee	06-D07H	
871FS 10	5/8" JIC x 5/8" JIC Swivel Tee	06-D06H	
871FS 12	3/4" JIC x 3/4" JIC Swivel Tee	06-D05H	
871FS 16	1" JIC x 1" JIC Swivel Tee	06-D04H	
872FS 06	3/8" JIC x 3/8" JIC Swivel Tee	06-D06G	
872FS 08	1/2" JIC x 1/2" JIC Swivel Tee	06-D05G	
872FS 12	3/4" JIC x 3/4" JIC Swivel Tee	06-D04G	/
872FS 16	1" JIC x 1" JIC Swivel Tee	06-D03G	
881FS 08x08	1/2" NPT x 1/2" Female JIC	06-D05W	
883FS 08x06	1/2" x 3/8" JIC Reducer	06-D03K	
883FS 10x08	5/8" x 1/2" JIC Reducer	06-D02K	
883FS 12x06	3/4" x 3/8" JIC Reducer	06-D01K	
883FS 12x08	3/4" x 1/2" JIC Reducer	06-D09J	
883FS 12x10	3/4" x 5/8" JIC Reducer	06-D08J	
883FS 16x12	1" x 3/4" JIC Reducer	06-D07J	
883FS 20x16	1 1/4" x 1" JIC Reducer	06-D06J	
9068-06-12 20001-011	Male JIC x Male Metric W/Seal		
9235-12-06 20002-011	Male Metric x Female NPT		
9325-02-10x1.0 20038-011	Adapt-All Adapter - Test Unit Fitting		
9500-12mm 20003-011	Bonded Seal For Metric Thread		
ABAX1000-10 20007-011	Straight Tube Adapter To JIC Male #10		
ABAX1000-14-12 20010-011	Strght Tube Adapter - JIC Male #14-12		
ABAX1000-16 20009-011	Straight Tube Adapter To JIC Male #16		

ABAX1000-6 20006-011	Straight Tube Adapter To JIC Male #6		
ABAX1000-8 20005-011	Straight Tube Adapter To JIC Male #8		
BSE12HB10S11	1" oring x 1 1/4" Suction fitting	06-D10H	
C-16-2 20057-011	RV5-16 Cavity Plug		
C1200S	3/4" Check Valve	06-E07F	
C1600S	1" Check Valve	06-E01D	
C800S	1/2" Check Valve	06-E06F	I
CDC-0126	Aluminum Manifold	06-M03A	
CDC-0127	Aluminum Manifold	06-M04A	
CR44758.12	Brake/2speed Fitting for MS35/50	06-E03C	
DTS-2349	1" Split Flange (Use w/ "F")	06-D12C	II
DTS-2455	1" Split Flange (Use with "E")	06-D12D	
FF5163-1212S 20021-011	Hydraulic Fitting		
FF5163-1616S 20022-011	Hydraulic Fitting		
FF5164-1212S 20023-011	Hydraulic Fitting		
FF5164-1616S 20024-011	Hydraulic Fitting		
FT-0710-ZP	Hose Barb (FT-1075)	06-D11N	
FT-075	3/4" Hose Barb	06-D11N	
FT-100	1" Hose Barb	06-D11M	
FT-1012	1" NPT x 1 1/4" Hose Barb	06-D11M	
FT-1215	1 1/4" NPT x 1 1/2" Hose Barb	06-D11L	
FT-125	1 1/4" Hose Barb	06-D11L	III
FT-150	1 1/2" Hose Barb	06-D11K	II
FT-1520	1 1/2" Hose Barb	06-D11J	II
FT-200	2" Hose Barb	06-D11I	I
FT-250	2 1/2" Hose Barb	06-D11H	
GP-6400-12-12-4 20031-011	PCC 3/4" JIC Diag Tee Test Unit Fitting		
GP-6504-08-08-4 20030-011	PCC 1/2" JIC Diag Tee Test Unit Fitting		
GP-6504-12-12-4 20029-011	PCC 3/4" JIC Diag Tee Test Unit Fitting		IIII
HA-32 20011-011	Adapter SAE To Hose Barb		
HA90-32 20012-011	Adapter 90 SAE To Hose Barb		
HAS90-48 40 20014-011	Split Flange Adptr 3"Port - 2 1/2"Hose		
HC075	3/4" Hose Clamp	06-K02A	
HC100	1" Hose Clamp	06-K02A	
HC125	1 1/4" Hose Clamp	06-K02B	
HC150	1 1/2" Hose Clamp	06-K02C	
HC200	2" Hose Clamp	06-K02D	
HC215	Hose Clamp	06-K02E	
HC238	Radiator Hose Clamp	06-K02F	
HC250	2 1/2" Hose Clamp	06-K03A	
HFP-1843	1/2" Breather		
LT-50 20063-013	Gresen Check Valve	06-E07B	
NB6842-12-12 20013-011	Flange		
OM-0812-90	1/2" oring x 3/4" suction fitting	06-D10M	

OM-1216	3/4" Oring x 1" Suction	06-D11F	
OM-1216-30	3/4" Oring x 1" Suction	06-D10I	
OM-1220-90	3/4" Oring x 1 1/4" Suction Fitting	06-D10K	
OM-12-90	3/4" Oring x 3/4" Suction Fitting	06-D10L	
OM-1620-90	1" oring x 1 1/4" Suction fitting	06-D10H	
OM-16-90	1" oring x 1" Suction Fitting	06-D10J	
OM-2024	1 1/4" Oring x 1 1/2" Suction	06-D11E	
OM-2024-90 20044-011	1 1/4" oring x 1 1/2" Suction	06-D10G	
OM-2424	1 1/2" Oring x 1 1/2" Suction	06-D11D	
OM-2432-90	1 1/2" Orign x 2" Suction	06-D10E	
OM-24-90	1 1/2" oring x 1 1/2" Suction	06-D10F	
OMC 2024-90 20044-011	Flange Head 90 Hose Barb		
ORF 24-90 20043-011	1 1/2"Oring Flange x 1 1/2" Suction		
ORF-2432-90	2" Suction x 1 1/2" Flange	06-D10D	
ORF-3224-90	1 1/2" Suction 2" Flange	06-D10C	
ORF-32-90	2" Suction w/ Flange	06-D10B	
ORF-40-90	2 1/2" Suction x 2 1/2" Flange	06-D10A	
PF800S 20049-013	1/2" Needle Valve w/Check	06-E03F	
PN1200S 20053-013	3/4" Needle Valve	06-E05F	
PN400S 20052-013	1/4" Needle Valve	06-E01F	
PN600S 20050-013	3/8" Needle Valve	06-E02F	
PN800S 20051-013	1/2" Needle Valve	06-E04F	
PV-1315	1 1/2" Suction Fitting	06-D11G	
S10-3-8	1/2" Quick Coupler 1/2" Oring	06-D11R	
S10-4	5/8" Quick Coupler 1/2" NPT	06-E07B	
S10-4-10	5/8" Quick Coupler 5/8" Oring	06-D11Q	
S10-6-12	3/4" Quick Coupler 3/4" Oring	06-D11P	
S10-8-16	1" Quick Coupler 1" Oring	06-D11O	
S45-4	1/2" Female Pioneer Quick Coupler	06-E04D	
S71-4P	1/2" Male Pioneer Quick Coupler	06-E03D	
SBE25HB30SM11/SFK	3" Suction Flange to 2 1/2"Hose Barb	06-D-TOP	
SMD20-1/4NPT 20039-011	Test Point Fitting		
SMK20-7/16UNF-VE 20040-011	Test Point Fitting		
Z63UA 12x12 20055-011	High Pressure Sweep	06-D10Q	
Z63UA 16x16 20004-011	1" High Pressure Sweep	06-D10N	
Z63UC 12x12 20056-011	3/4" Long High Pressure Sweep	06-D10P	
Z63UC 16x16 20059-011	90 Sweep	06-D10O	

HYDRAULICS FINISH MATERIALS LIST

BEGINNING DATE 4-5-07
END DATE

PROJECT NO. 027561

Tupling # 07018
6RPTW

QTY	PART NUMBER	DESCRIPTION
1	2017-10027	DTS-4276
1	2017-07500	RV5-10-S-0-31
1	2017-10031	DTS-7005-2
2	2017-10038	DTS-8811
1	2017-06000	FP55
4	2017-08004	RDRS 112-30
2	2017-07101	RV1H
1	2017-11304	SV3-16-0-12T-12DG
1	2017-05000	CS11RDE
5	2017-05501	MV5-14A-12TD
2	2017-05502	MV5-SC
2	2017-05503	MV5-SI
1	2017-05506	MV5-2BK
1	2017-05507	MV5-3BK
4	2011-00017	112-1058
4	20007-010	28-006-5162
1	20005-010	HDI-CB-064
1	2011-00007	104-1062
1	2011-00011	104-1067
1	2015-031	RLT9V210F20D5
2	2015-024	SF150-25-5
1	2015-025	SF120-25-1
3	2015-014	LE10
2	2015-041	CI20
1	2015-040	GV10
1	2015-022	HP90-11-10
2	2017-03032	V500 P-32
1	2015-017	TF 2030-3
1	2014-22270	222 BN70 - O RING
1		2090-248 coupler

HYDRAULICS FINISH MATERIALS LIST

BEGINNING DATE
END DATE

PROJECT NO.

QTY	PART NUMBER	DESCRIPTION
2	2015-019	3" FWM
1	20149-009	4622-244 SERIES 2 ELECTRONIC
1	20060-009	P315 B196 B1A B15-65 GNAB15-1
1	2020-6024	MFR-60-2-4A-60
4	2014-24970	249 BN 70
1	BK 34864	3x4" BUSHING
2	BK 132	2" CLS NIPPLE
2	BK 32432	1 1/2" x 2" BUSHING
1	BK 124	1 1/2" CLS NIPPLE
1	BK 32024	1 1/4" x 1 1/2" BUSHING
1	BK 432	2" 90° STEEL
2	BK 424	1 1/2" 90° STEEL
1		1 1/2" x 5" CLS NIPPLE (PEASLEY'S)
1	BK 420	1 1/4" 90° STEEL
1	BK 31620	1" x 1 1/4" BUSHING
1	BK 1132	2" CAP
1		1 1/4" x 5" CLS NIPPLE (PEASLEY'S)
4	3/16-14 x 1 1/4 HHCS GR8	
4	3/16-14x 4 SHCS Alloy	
4	3/16 HI COLLAR LOCK WASHER	
1	2021-10600	600# GAUGE
2	2021-13000	3000# GAUGE
2	2021-15000	5000# GAUGE
1	2021-06158	SIGHT GAUGE G615-8A1
5	2021-16027	GAUGE SNUBBER
1	BF12	
1	BF08	
1	2012-20201500	CTRSO 2020
1	2012-30102000	CTRSO 3010
2	2012-30062000	CTRSO 3006

Part #	Description	Quantity
881-12	U312 Suction Hose 3/4"	
881-16	U316 Suction Hose 1"	
881-20	U320 Suction Hose 1-1/4"	74"-106"
881-24	U324 Suction Hose 1-1/2"	
881-32	U332 Suction Hose 2"	62"-93"
881-40	U340 Suction Hose 2-1/2"	

N316	1" High Pressure Hose	
78C 16	1" High Pressure Hose	
78C 12	3/4" High Pressure Hose	
N312	3/4" High Pressure Hose	

HC075	Hose Clamp 3/4"	
HC100	Hose Clamp 1"	
HC125	Hose Clamp 1-1/4"	
HC150	Hose Clamp 1-1/2"	
HC200	Hose Clamp 2"	VII
HC215	Hose Clamp 2-15/16"	
HC238	Hose Clamp 2-3/8"	
HC250	Hose Clamp 2-1/2"	

2021-93050	Wearguard Hose Wrap 1/2"	
2021-93100	Wearguard Hose Wrap 1"	4'-
2021-93150	Wearguard Hose Wrap 1-1/2"	3'-
2021-93200	Wearguard Hose Wrap 2"	5'-

HOSE ENDS

0270506

BW04X06FJ	
BW04X06FJ90T	
BW06X06FJ	
BW06X08FJ	
BW06X06FJ90T	
BW08X08FJ90T	
BW08X08FJ	
BW08X10FJ	
BW08X10FJ90T	
BW12X12FJ	
0673-12-12	
0027-011	
0673-16-16	
0028-011	
IY10X08FJ	
IY10X10FJ	
IY10X10FJ90T	

BW16x16FJ |||
 BW08x08MP ||

2006

BXP04	BXP06	BXP08	BXP12	BXP16	HTB16	731-12	731-16	Y912
144	48	16	10	56	58			
98	24	16	17					
104	48	15	25					
34	24	20	23					
36	24	43	27					
	24	47	30					
	57	18	20					
	57	34	14					
	76	22	26					
	26	22	20					
	35	104	86					
	27	99	8					
	47	19	16					
	90	48	23					
		18	43					
		12	36					
		16	34					
		60	40					
		37	39					
		47	56					
		12	63					
		30	32					
		33	34					
		24	28					
		35	38					
		68	71					
		108	52					
		112	58					
			65					
			65					
			23					
			25					
			40					
			123					
			59					
			90					
			84					
			84					
			28					
			90					
			72					
			32					