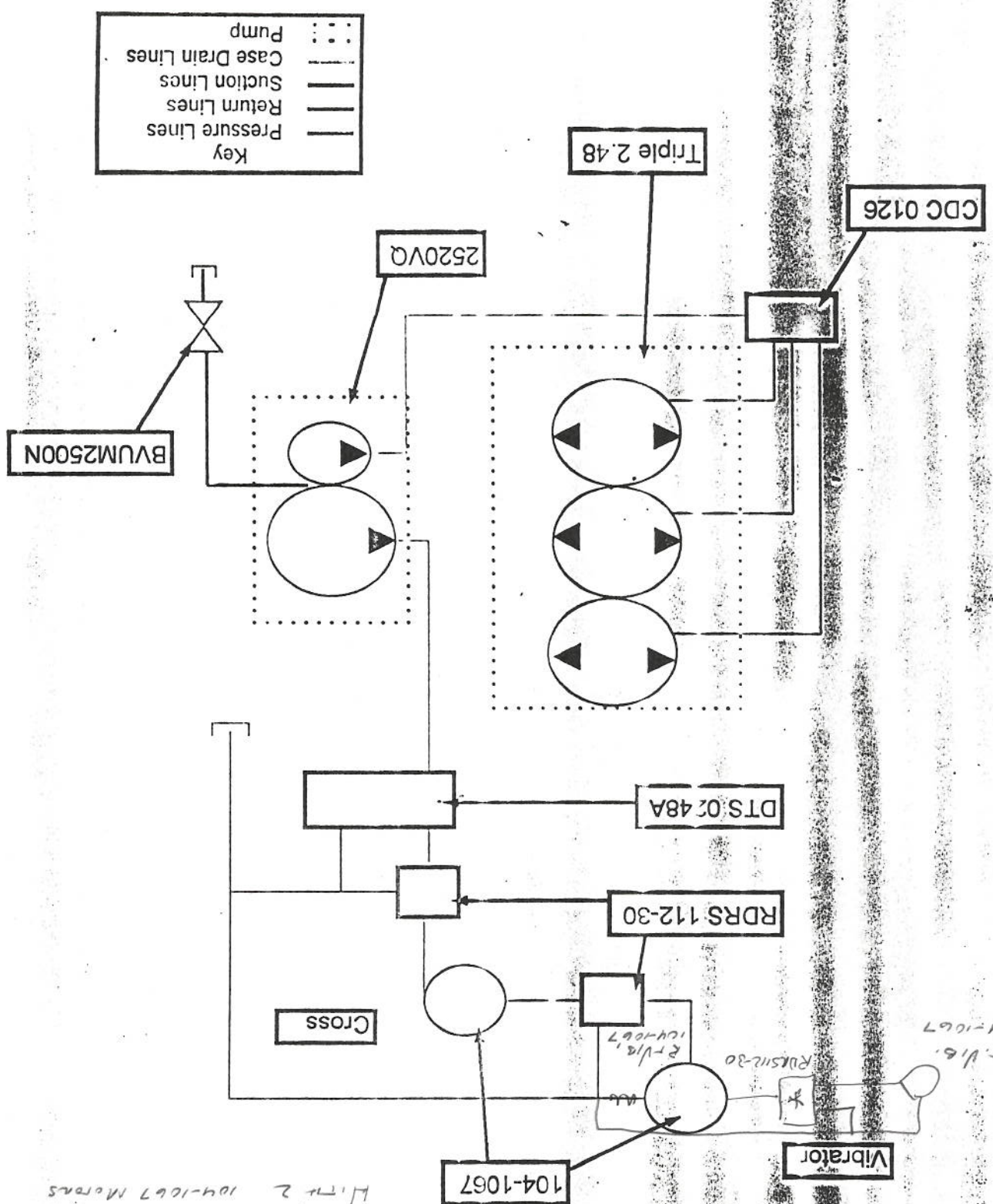


#1726

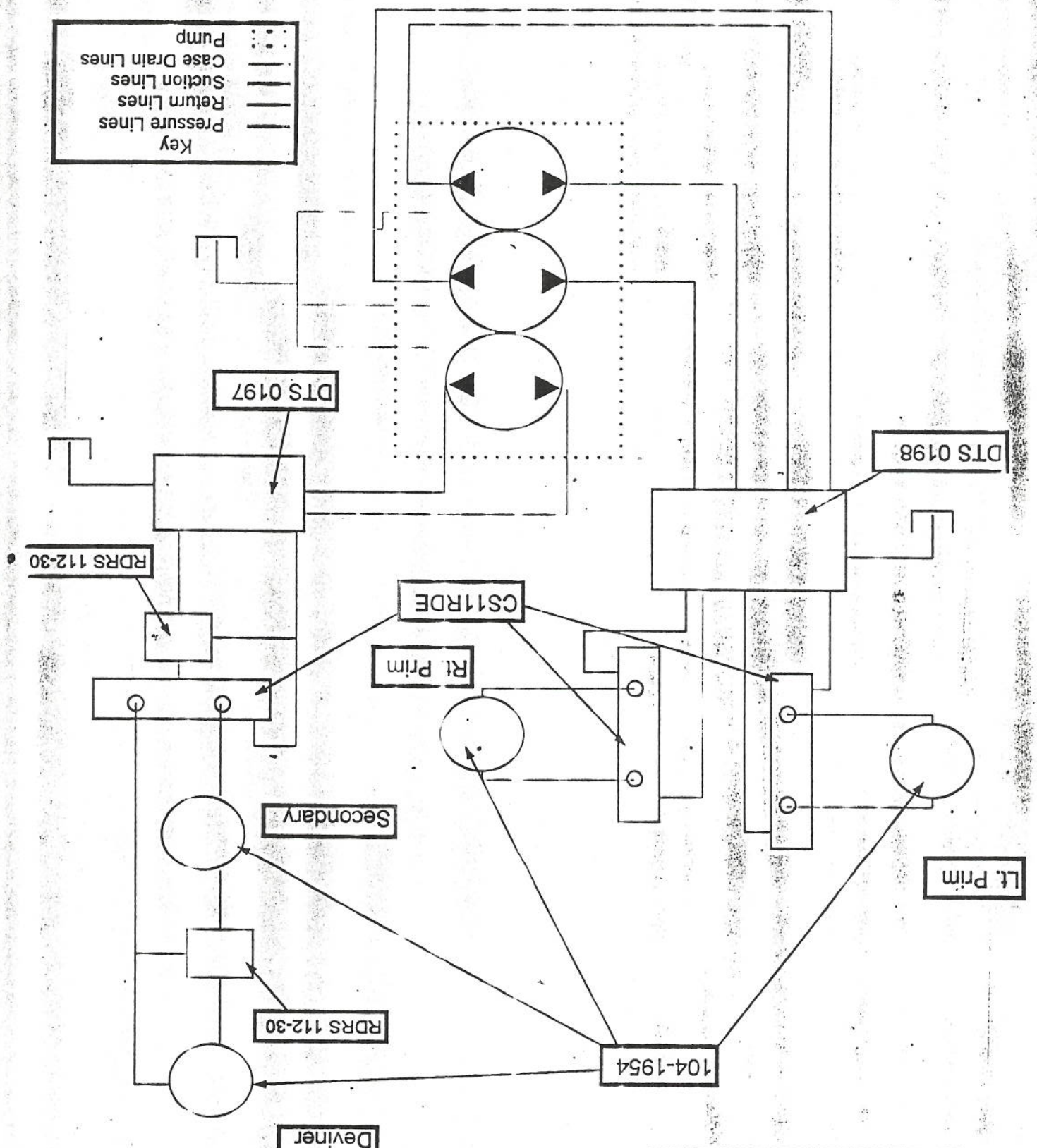
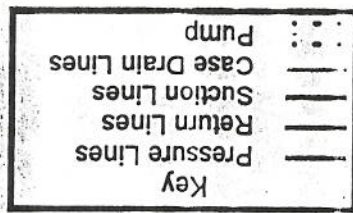
Marzoni
Farms

6 RPT W

1726 Hydraulic Schematics



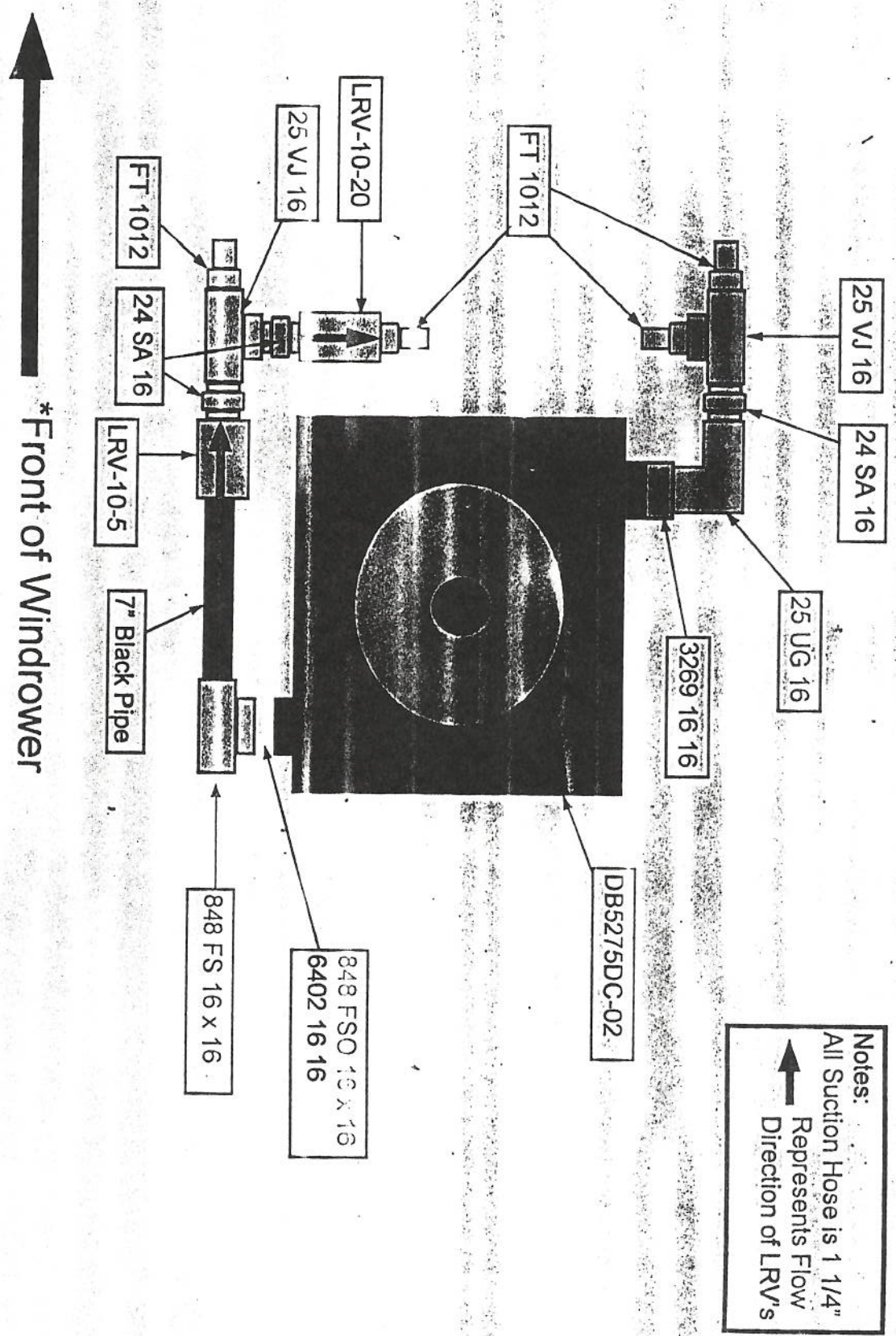
6 Rev Pacc HINDREWER



1726 Hydraulic Schematics

2003
 VIS 45
 155-0070
 DTS-6200
 Primary
 A0030 Customer

Windrower Oil Cooler Setup



Notes:
 All Suction Hose is 1 1/4"
 Represents Flow
 Direction of LRV's

*Front of Windrower