

#1088

Paramount Farms

3R SPH $\frac{1}{4}$ " AH

A.H. CANN
B-Box
Hand
Sheet

Assurance
WA
WA

Manum Machine
4/203
Tablet
4/203
SSJCE-316
Nissan

Sub. Machine Temp

Eng. Oil Pass

○

H.C.U.T.B.N.A.
Low Oil Press.
Eng. Watch

BZLT-13

Pressure
Gauge

○

2X464

TCHD TCHD
Ground Air
Drive Head Level

○ ○ ○

TEST SWITCHES
2X464 2X464 2X464

Left Right
2X464 2X464

WOLFE

LIGHTS

SPEDA DYNAMICS
○ ○ ○ ○ ○ ○

Size VISITING POWER
SSJCE-316 SSJCE-316
2X464

2 SPEED
1H

○

Car Backside
2X464 2X464

○

FUEL

100T

10
2X464
4X2

○

4X2
2X464

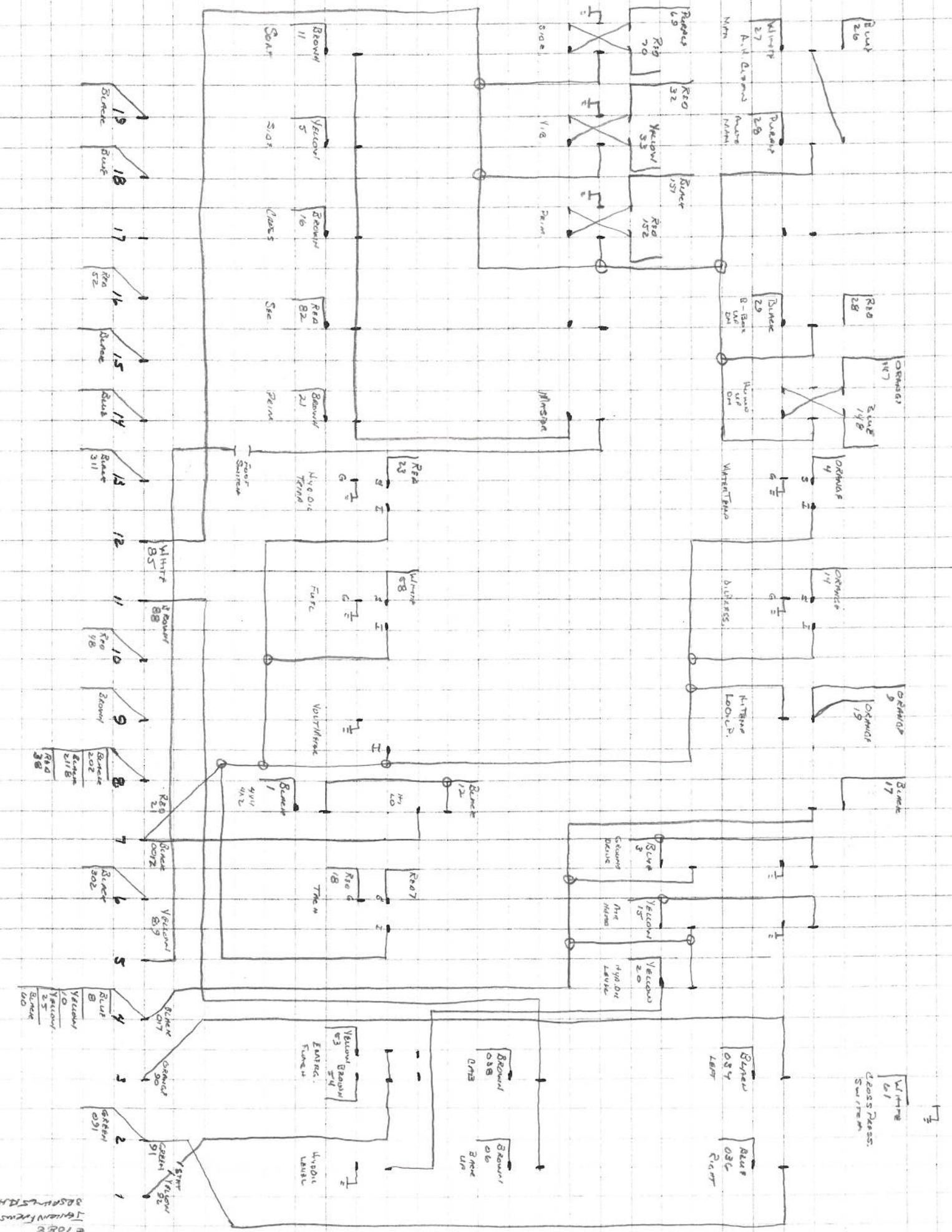
EMERGS. Low HHO
FINISH O.V.

76643 2X464

Hold Oil
TEMP.

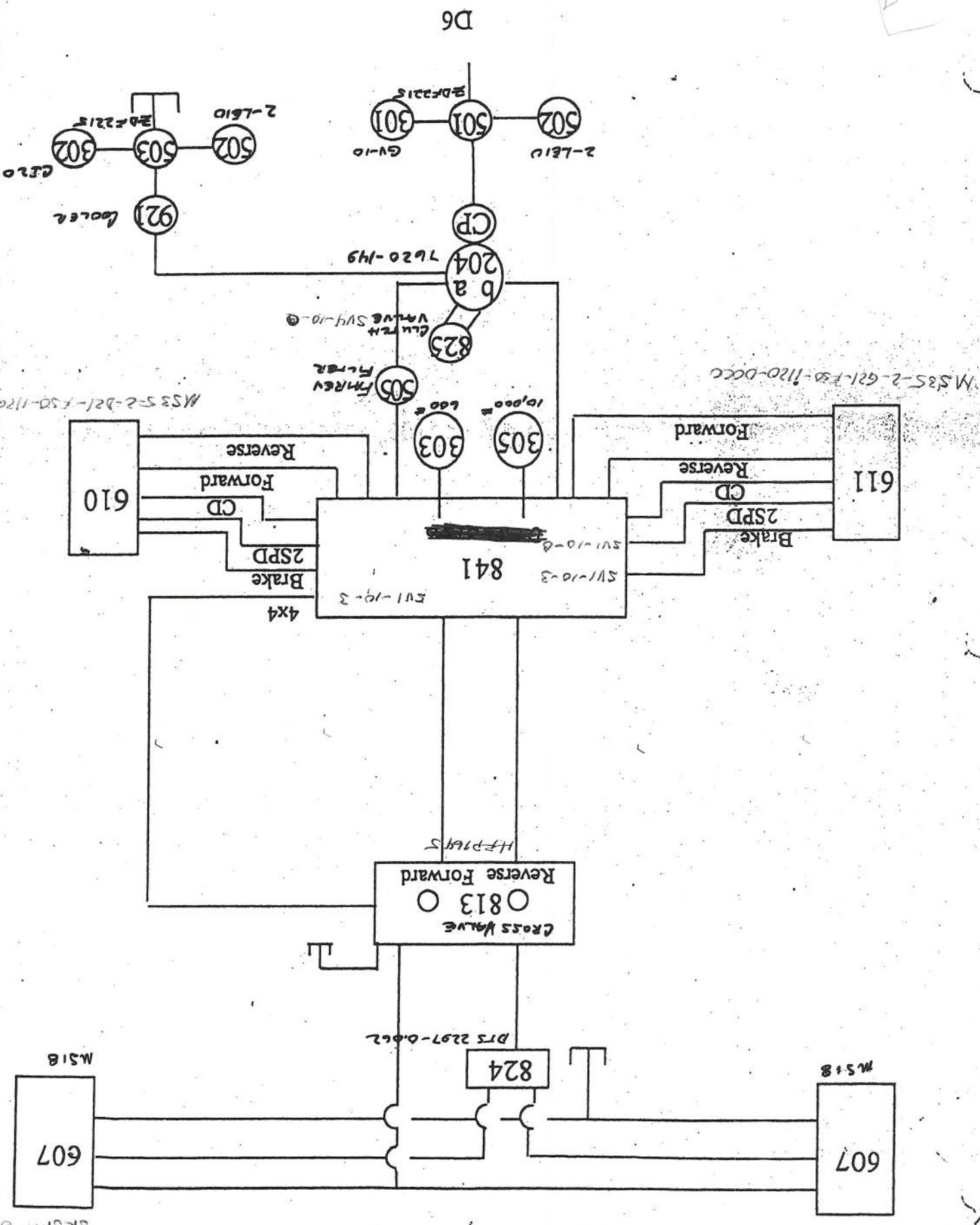
CONVERTORS
○ ○ ○ ○ ○ ○

SOFT SAE Class Secondary Primary
2X464 2X464 2X464 2X464



10/26/09
 #1088
 TERRY FURUS
 259-5754

Ground Drive



D6

611

610

841

Cross Valve
813
Reverse Forward

607

607

824

MS18

MS18

7/10/88
2/10/89
BRSMH 65 AK

MS35-2-621-F50-1120-DCC

MS3 5-2-221-F50-1120-DCC

GLUE VALVE SV4-10-0

FMREV FILTER

7620-149

921 cooler

2-L610

2-L610

2DF2215

2DF2215

6220

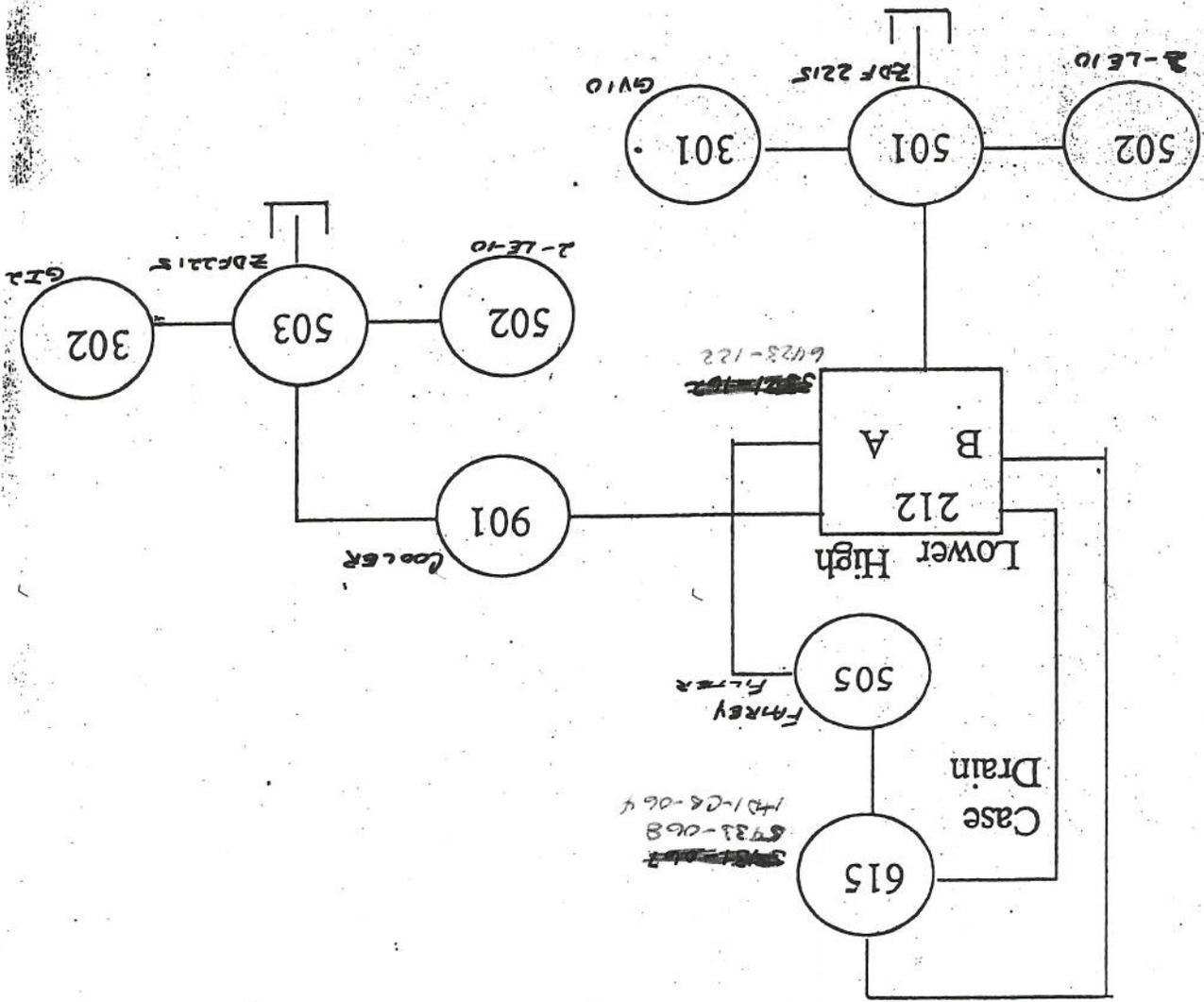


4088
8/10/09
3 RSP A
65 A.M.

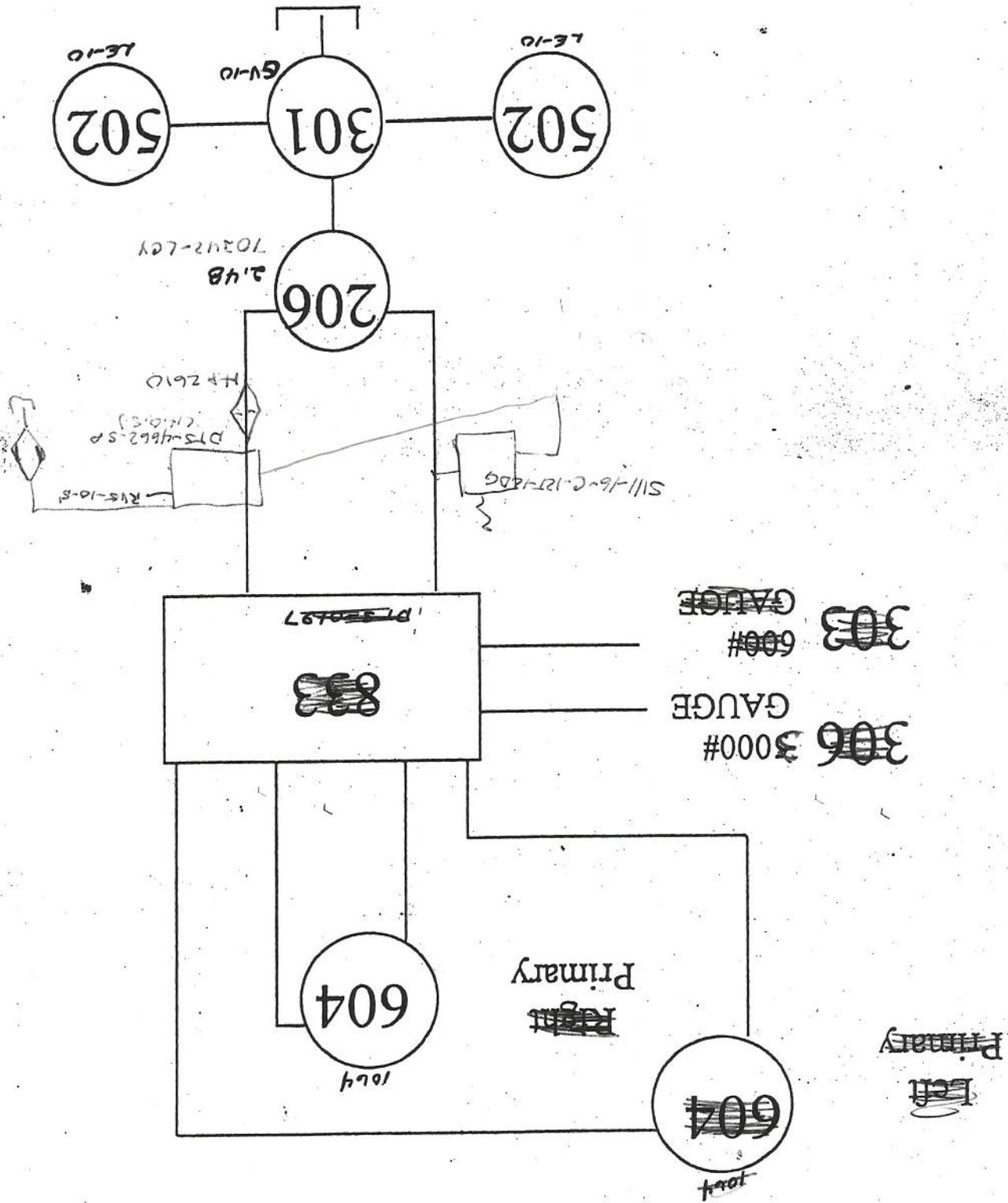
W/ ~~16~~ " Airhead

4 Row

Fan Circuit



D4



Right Primary-Left Primary

4 ROW

W/ 8" INCHES

#1058

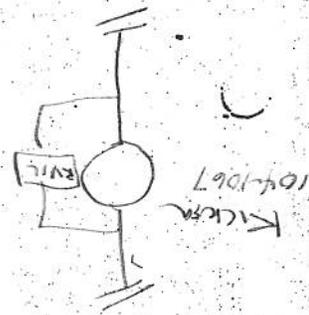
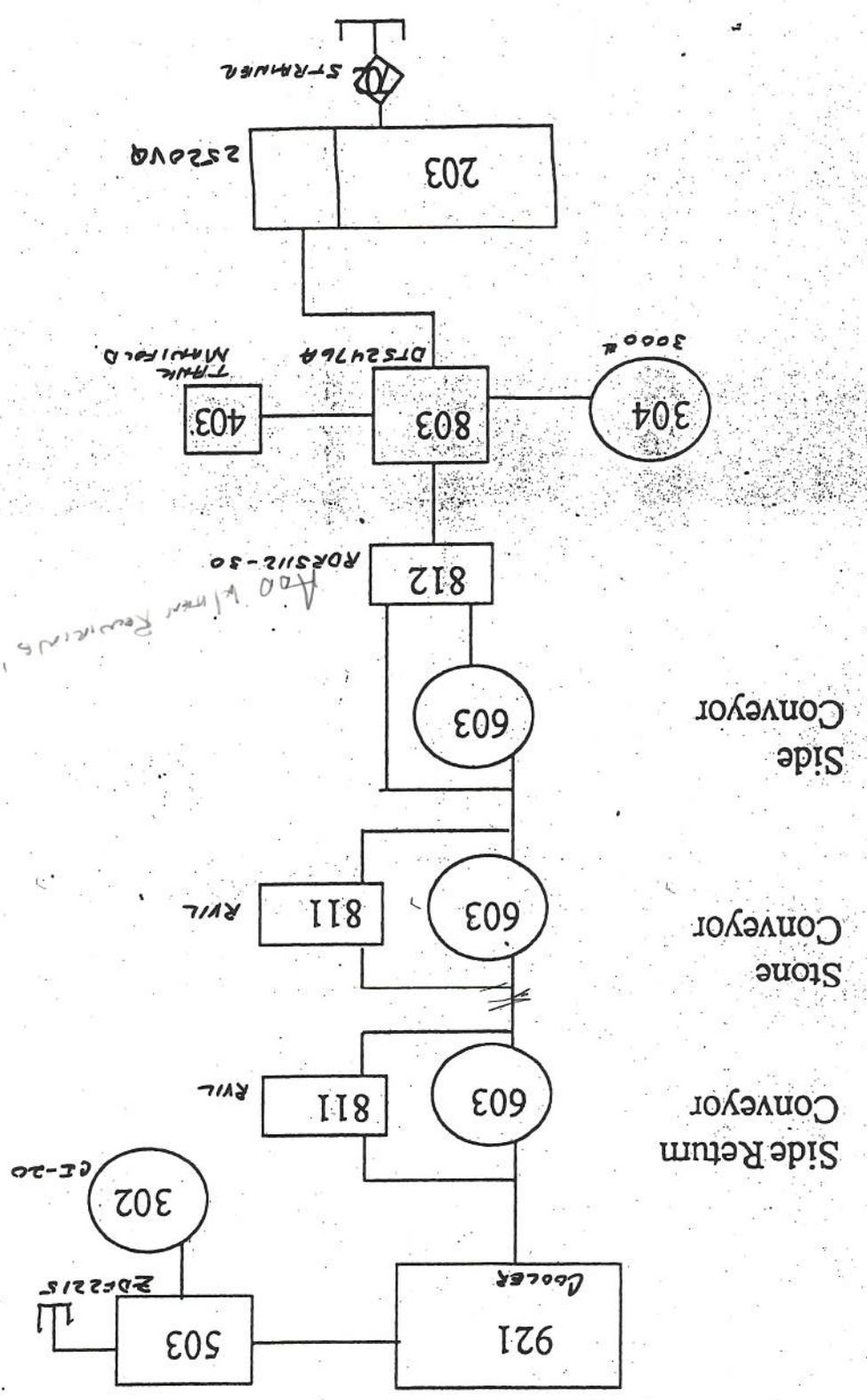
8/10/09

3KSP4

65 ft

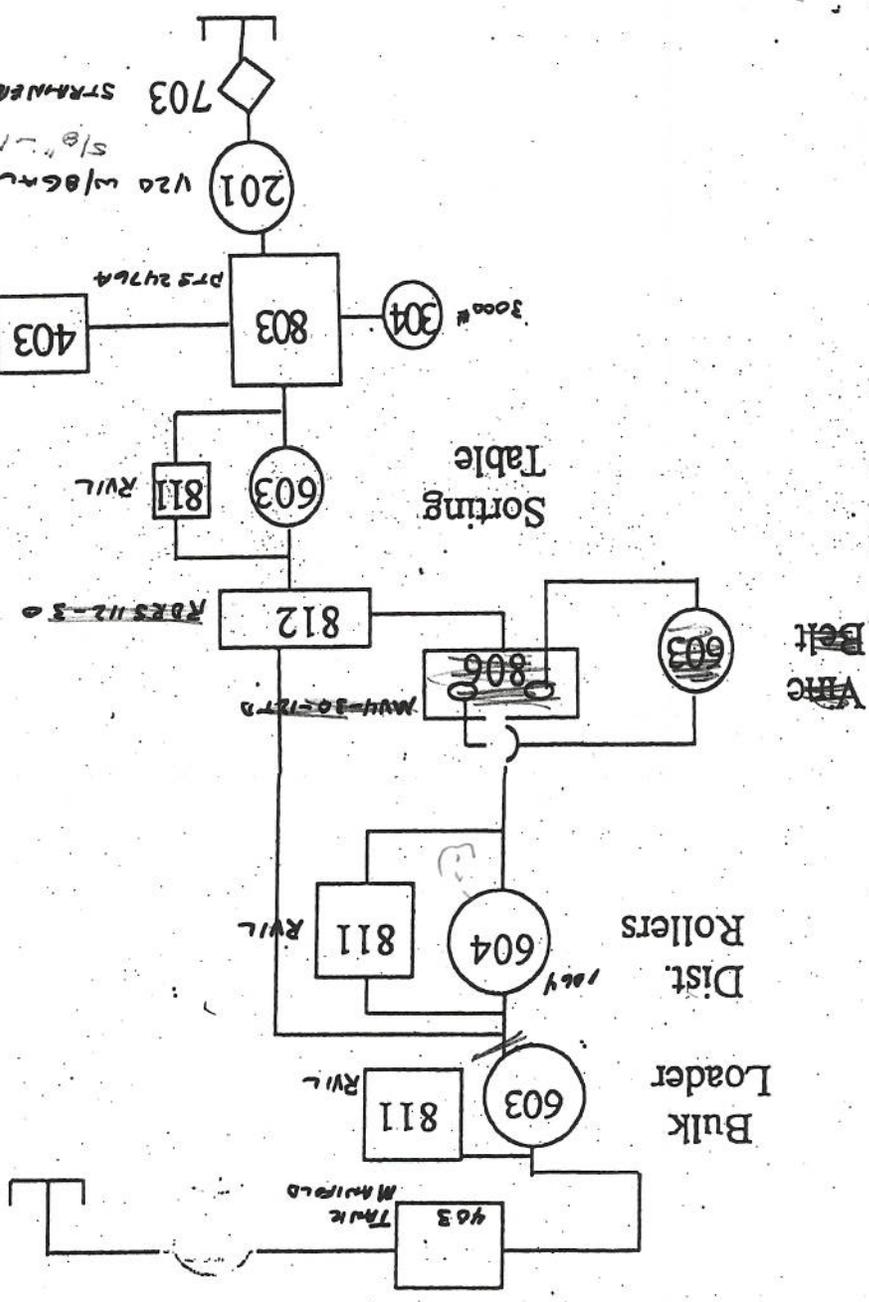
Side Return, Stone, and Side Conveyors

#1088
 RSPR + BTR
 8/10/07



Sorting Table, Vine Belt,
Distributor Rollers, and
Bulk Loader

#1088
3/26/65
EJ/PCS



D12

MOUNT TO B. BOX DAMPING
MAY VALUE TO ROPS VALUE
GROSS STRAW ROPS VALUE
SIZING TABLE ROPS VALUE
"B" GUIDE ROPS VALUE
DISTRIBUTOR ROLL ROPS & STEEL LINES TO MOTOR W/E.D.

