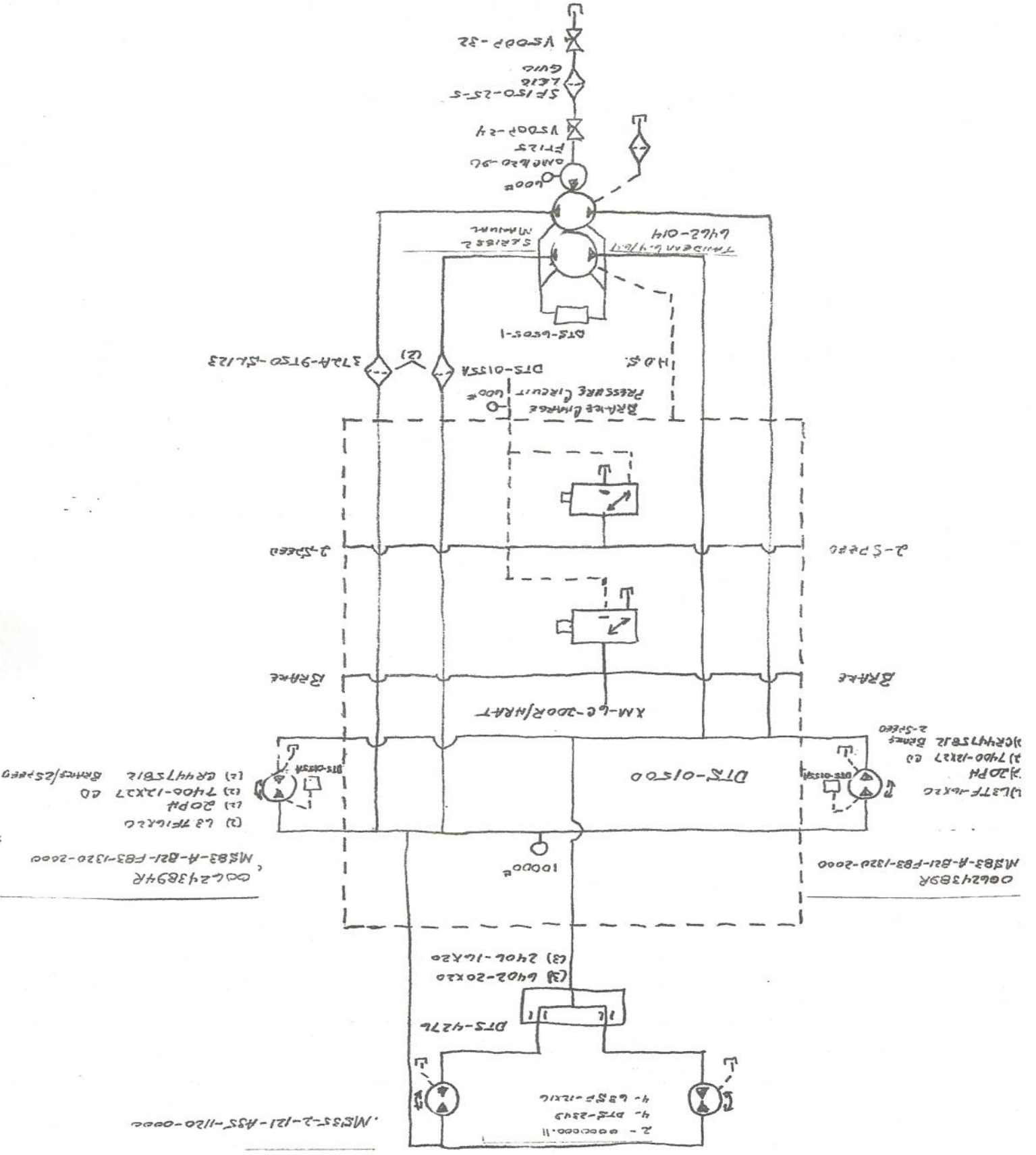


Kitchens

#03220

GRSPH w/50" AH



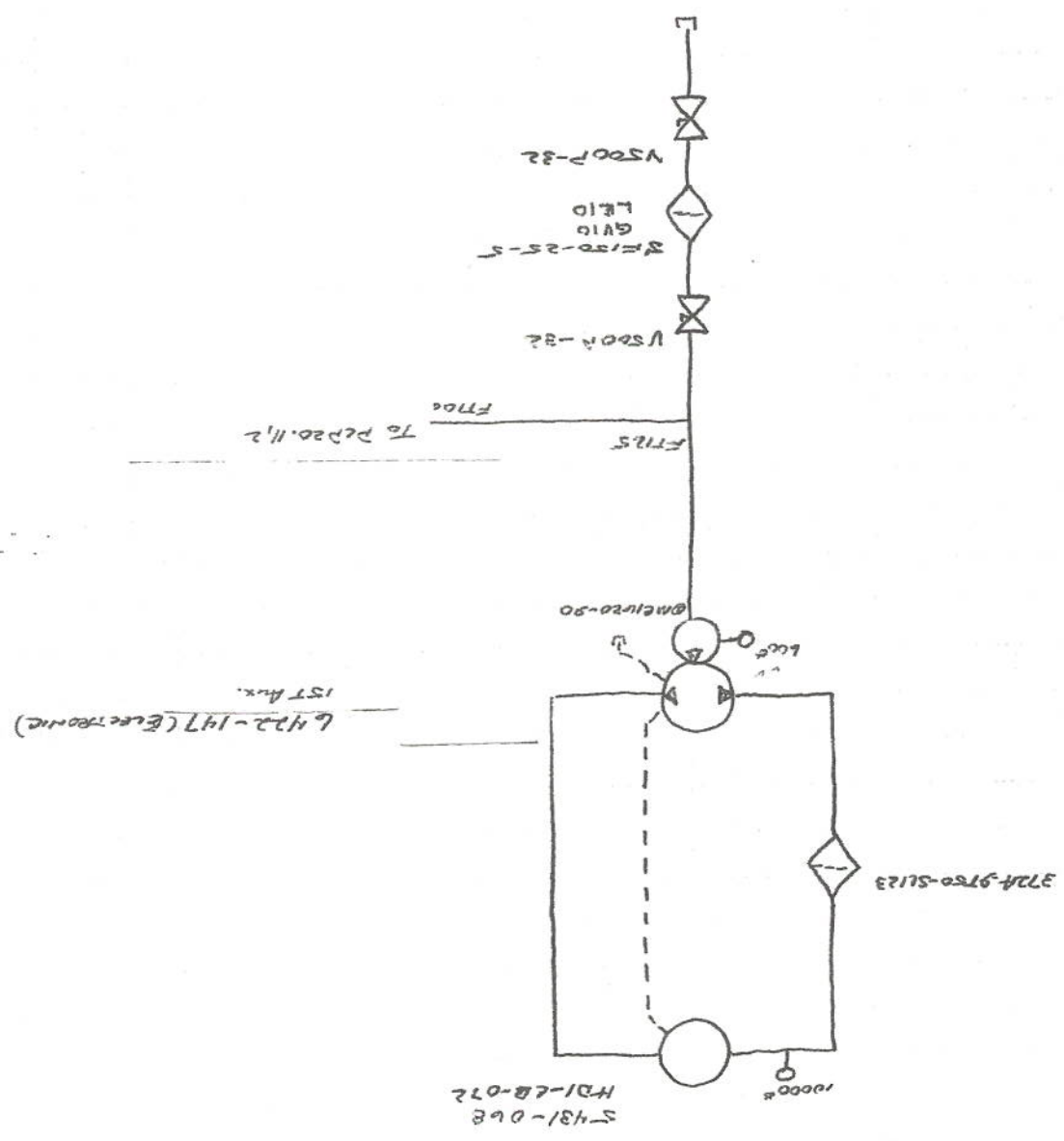
(2) 20PH
 (2) 7400-12X27 ED
 (2) CR4475B12 Bmtcs/25P80
 (2) L37FK2C
 (2) 20PH
 (2) 7400-12X27 ED
 (2) CR4475B12 Bmtcs/25P80
 MSB3-A-B21-FB3-1320-2000
 006243894R
 MSB3-A-B21-FB3-1320-2000

00624389R
 MSB3-A-B21-FB3-1320-2000
 1) L37FK2C
 2) 20PH
 3) 7400-12X27 ED
 4) CR4475B12 Bmtcs/25P80

11/5/03
 E03220
 Kenneth F. Mans
 HRBPA-50 A.H./TAK
 Revision 2 - MSB3/Succion
 MSB3 / DTS-0150C / DTS-0155A
 Ground Drive - Large Flushing

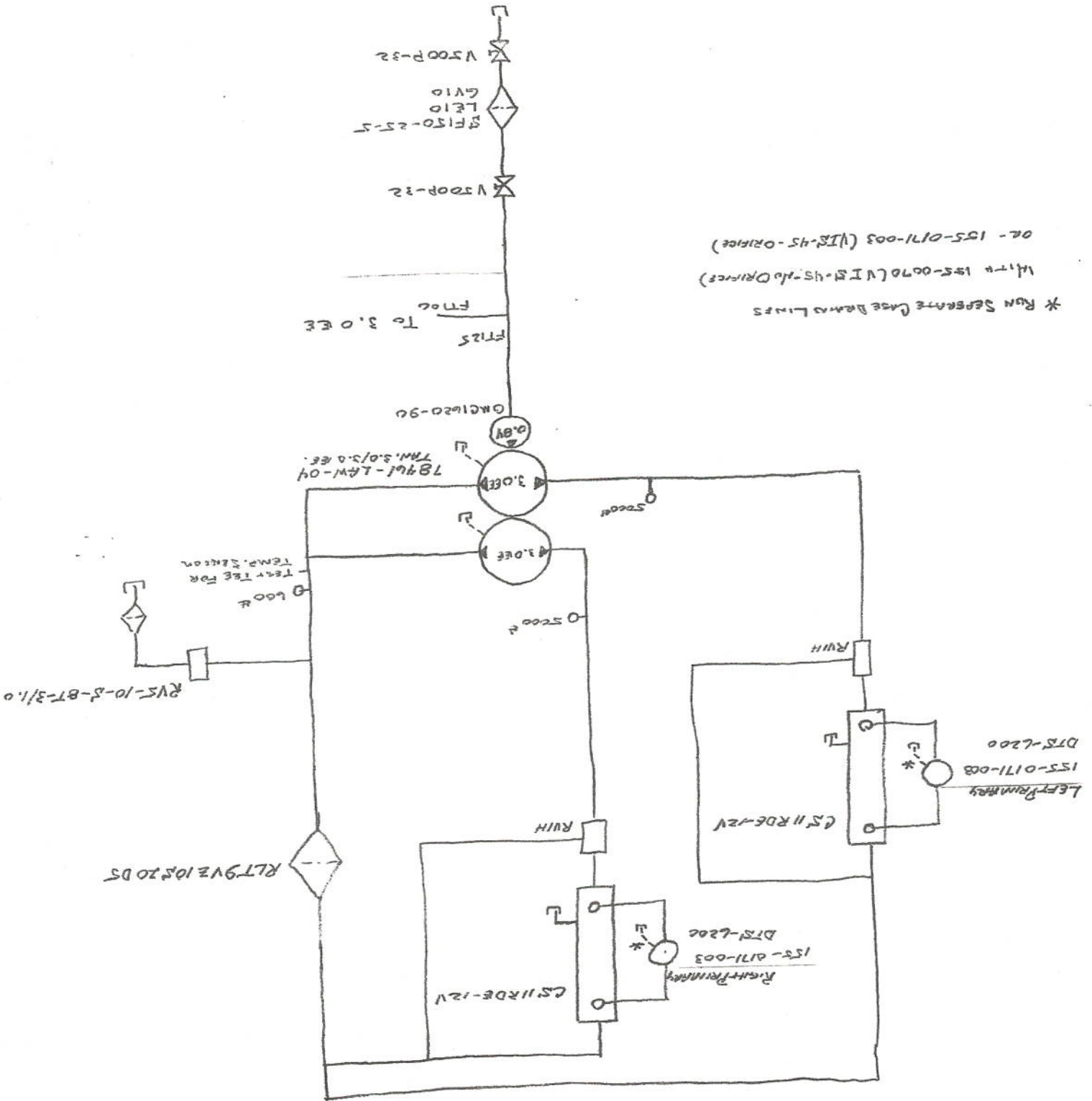
11/5/05
 K68220
 K12111 JKMS
 L RSPH - 50" A.H/TAKE
 10/29/03 Revision #1 Ramp/More
 11/2/03 Revision #2 Suezey

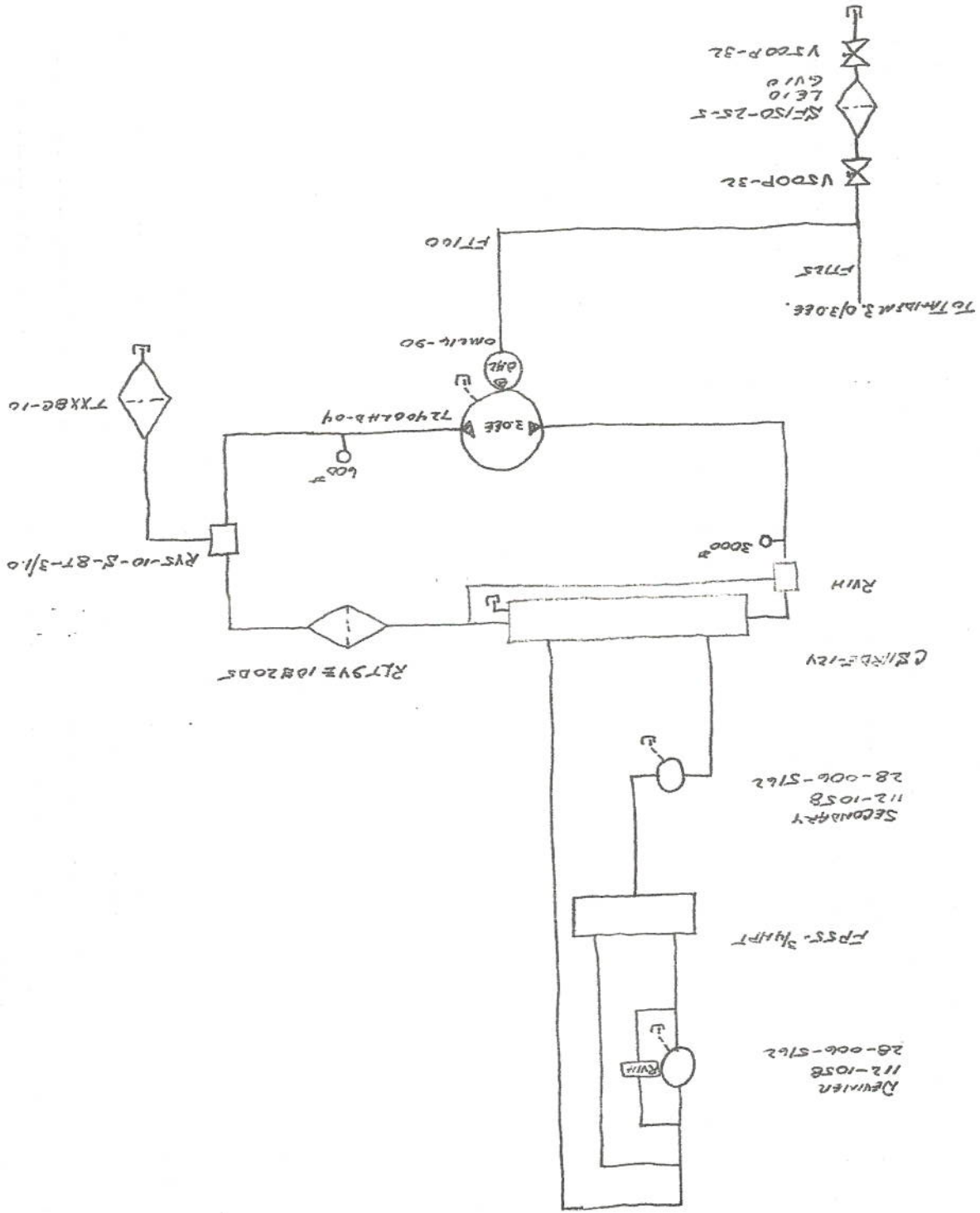
50" Air Head
 1.5" Air Head



6422-147 (Electronic)
 1ST Aux.

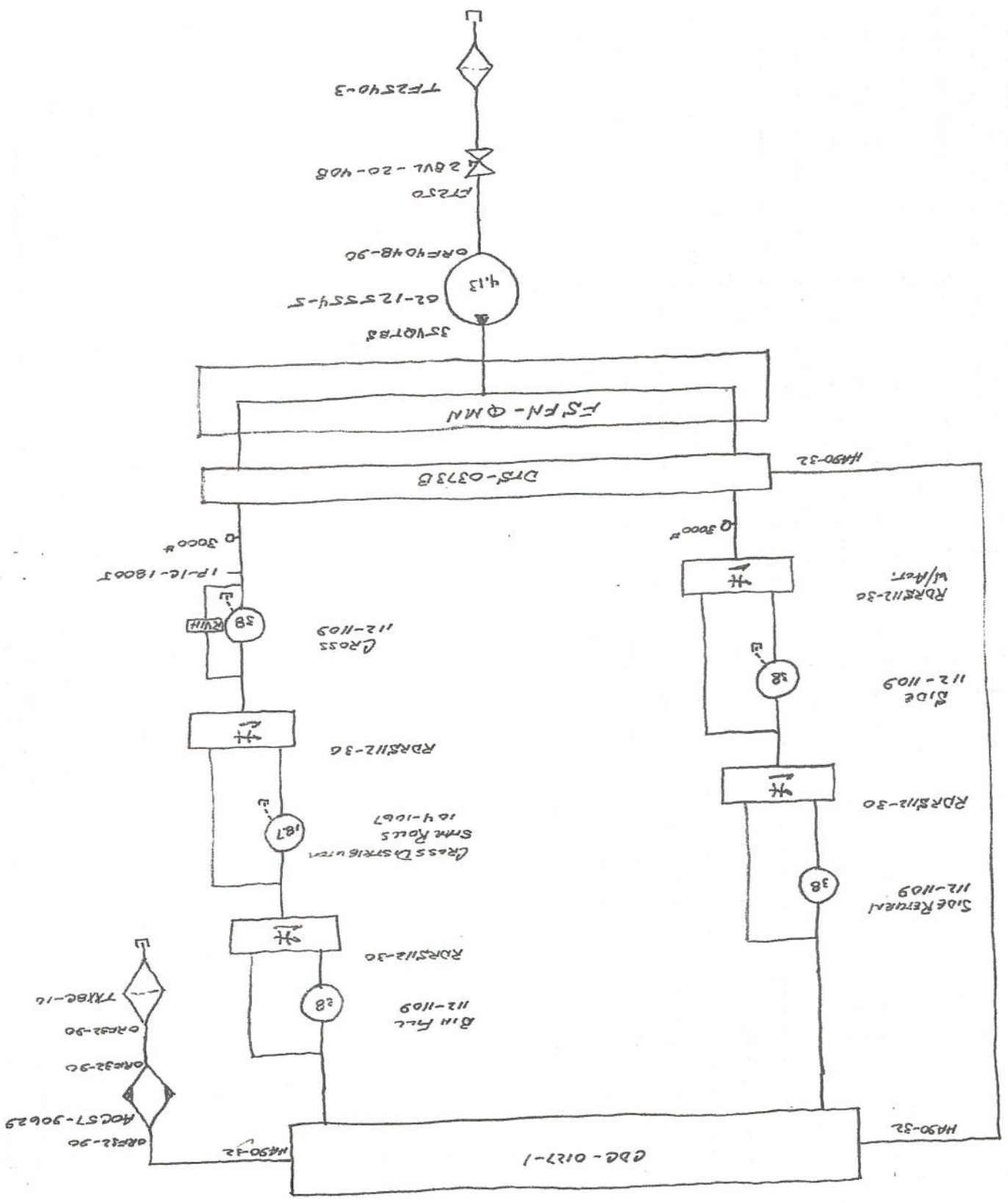
11/5/03
 H03220
 KITCHEN PUMPS
 BRSPH-50" A.H. TRAIL
 Revision #2-11/5/03 - Schemat

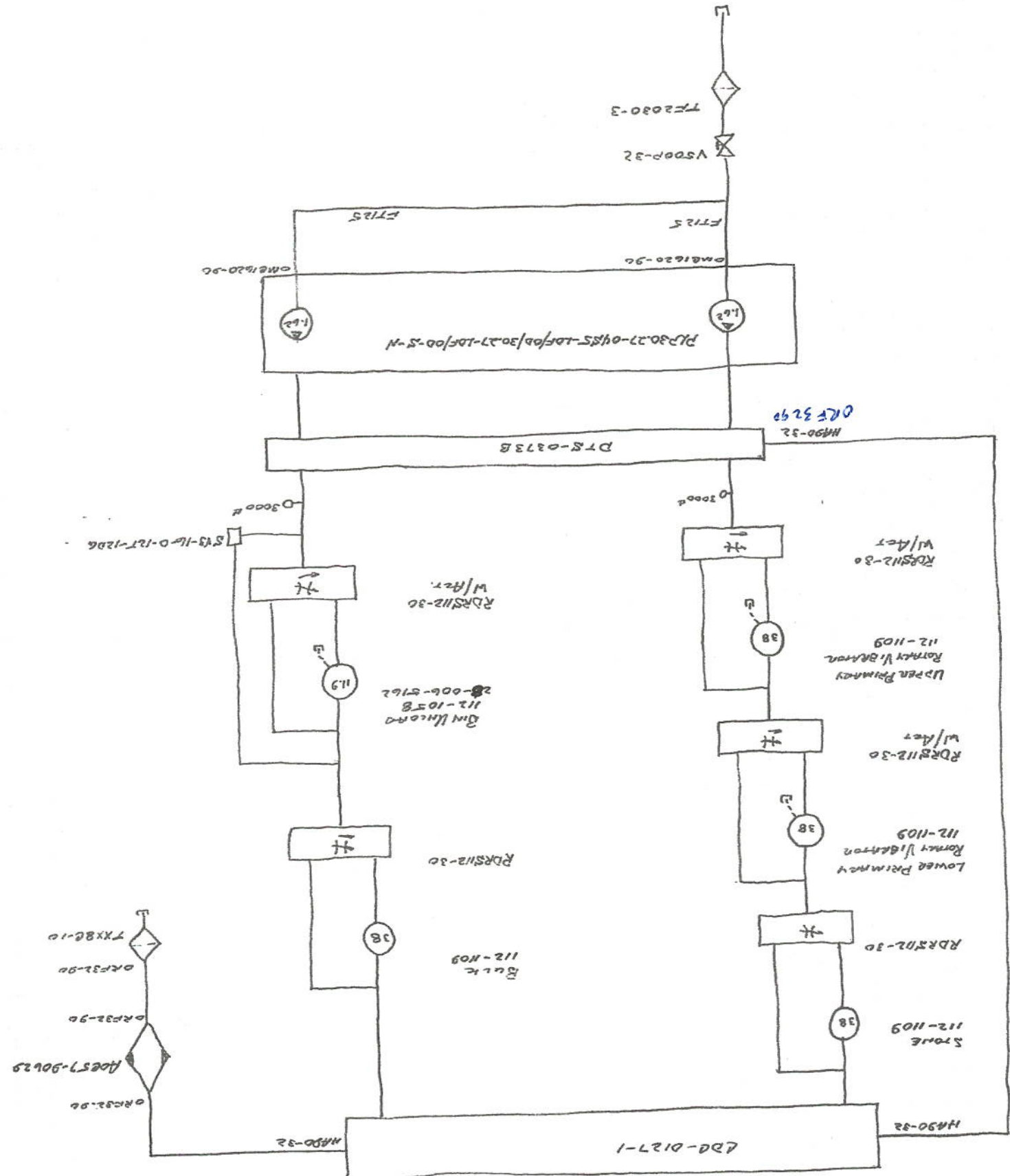




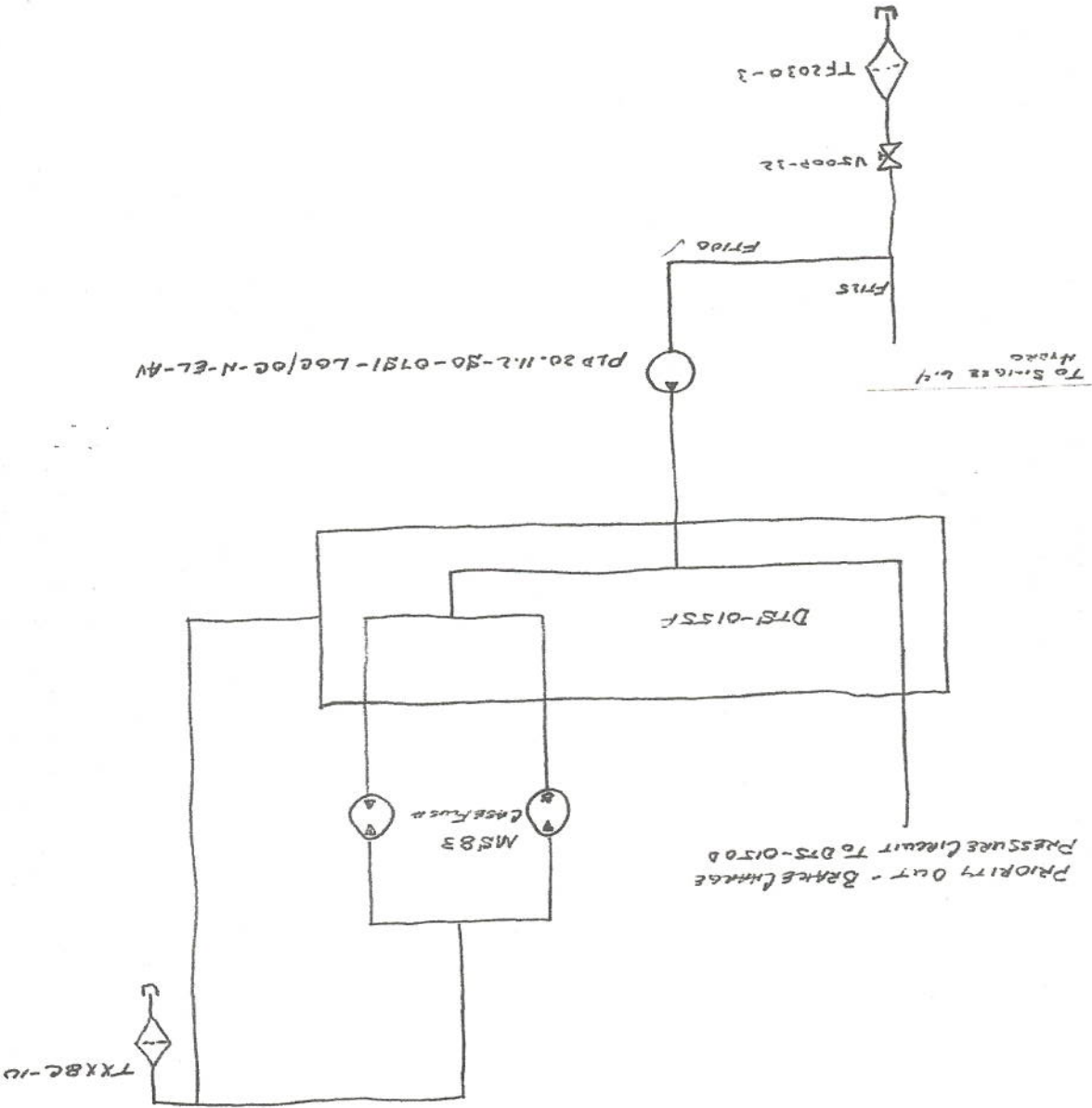
11/5/03
 #03220
 KENCHAN FARMAS
 6RSDPH-50'A.II/TANK
 10/27/03 - Revision #1 - Kenyon
 Murans

Revision - Changes
 11/5/03
 E. D. 3220
 K. J. THOMPSON
 L. R. SPAN - S. H. / TH.

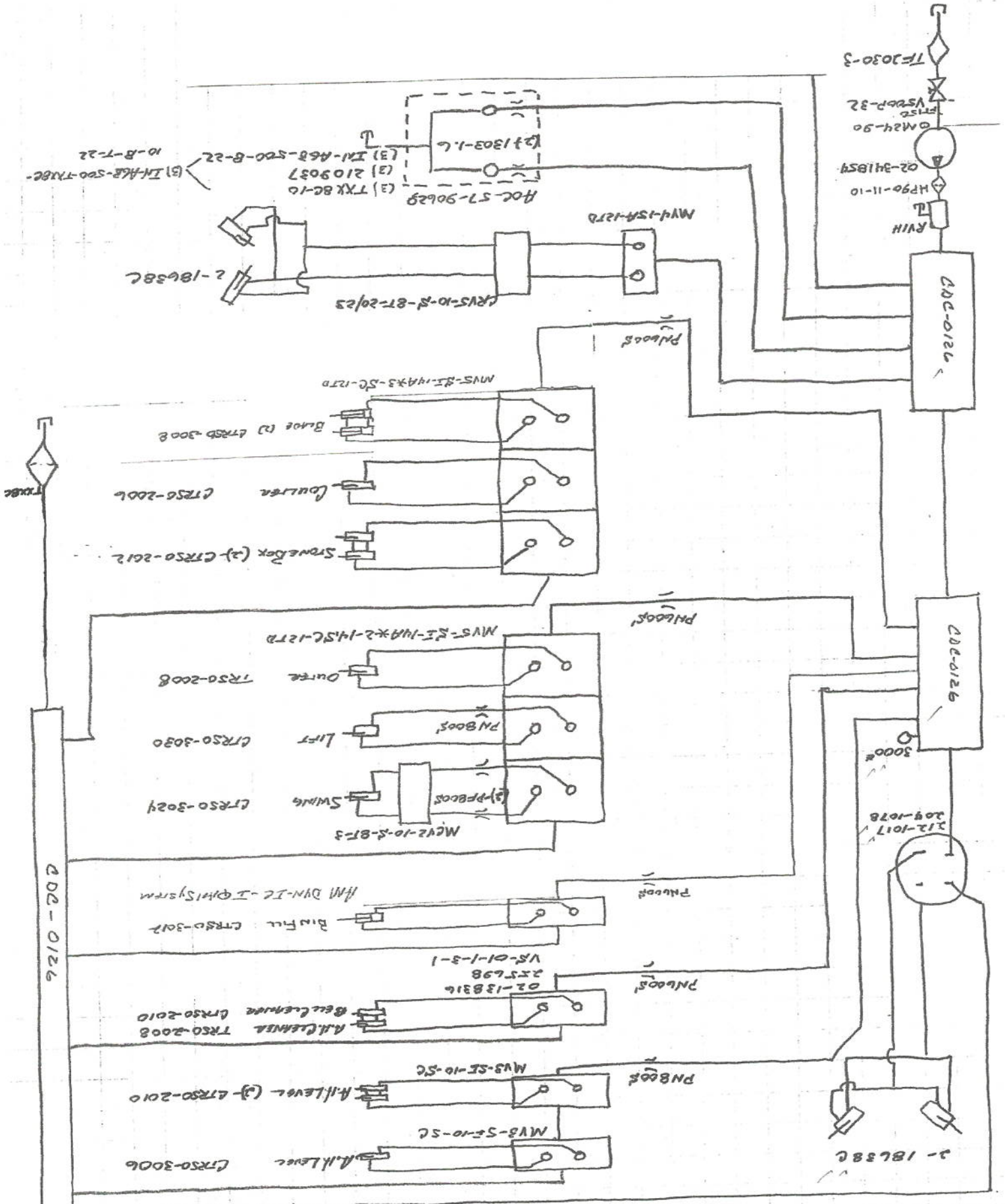




11/2/00
 #03220
 K. L. W. H. F. H. A. S.
 L. R. P. H. - 50 "A. H. / T. M. I.
 11/2/00
 11/2/00 Revision 2 - Pump-Circuit



11/5/03
 #03220
 KITCHEN PAKMS
 L RSPH-50 "A.H./TRAK
 Revision #2 - Section 1



STEERING/WAVE BANK CIRCUITS

11/1/03 # 03220
 KIRKMAN/FMS-6RS/PR-50
 10/2/03
 Revision of - Coast View Km. 2 - Coast View

- (4) T22540-3
- 2 1/2" Gaship
- 2 BVL-20-40B
- FT250
- * 35VOT

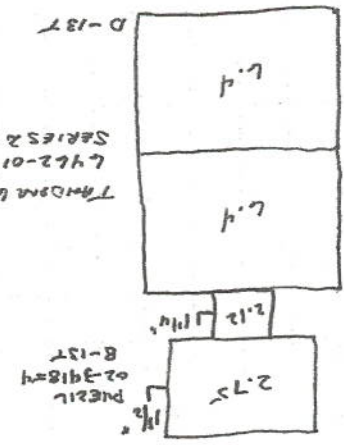
- (5) T22030-5
- 3" Gaship
- 2" Gaship
- V500P-32
- 2" X 1 1/2" Bush
- FT150
- * PVEZIL

- (3) 3" X 2" Bush
- 2" Gaship
- V500P-32
- 2" X 1 1/2" Bush
- SF150-25-5
- 1 1/2" Gaship
- 1 1/2" Gaship
- 1 1/2" Gaship
- V500P-24
- 1 1/2" X 1 1/4" Bush
- * T.M.M. 6.4/6.4
- FT125
- 2" Tee x To
- X 2" X 1 1/4" Bush

- (3) FT200-3
- 2" Gaship
- V500P-32
- 2" Gaship
- * PLP30/30
- 2" X 1 1/4" Bush
- FT125

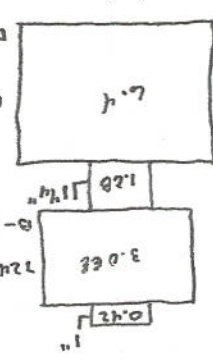
- (3) 3" X 2" Bush
- 2" Gaship
- V500P-32
- 2" X 1 1/2" Bush
- V500P-32
- 1 1/2" Gaship
- 1 1/2" Gaship
- SF150-25-5
- 1 1/2" Gaship
- 2" X 1 1/2" Bush
- 2" Tee x To
- X 2" X 1 1/4" Bush
- FT125
- * T30/30.0EE
- 2" X 1" Bush
- FT100
- * 3.0EE

- (4) 4" X 2" Bush
- 2" Gaship
- V500P-32
- 2" X 1 1/2" Bush
- 1 1/2" Gaship
- SF150-25-5
- 1 1/2" Gaship
- 1 1/2" Gaship
- V500P-32
- 2" X 1 1/2" Bush
- 2" Tee x To
- X 2" X 1 1/4" Bush
- FT125
- * SINGEL 6.4
- 2" X 1" Bush
- FT100
- * PLP20.11.2



TANDON 6.4/6.4
 SERIES 2-MINUTE
 L422-014

PVEZIL
 02-3918-4
 B-13T



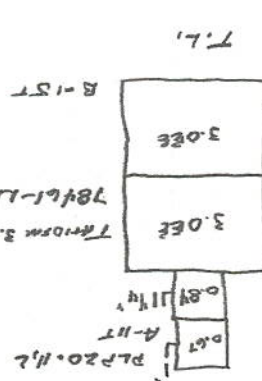
TANDON 3.0/3.0 E.S.PRONIC
 78461-LAV-04
 B-15T

PLP20.11.2
 0.84
 A-11T



C-11T
 02-125554-5
 35VOTBS

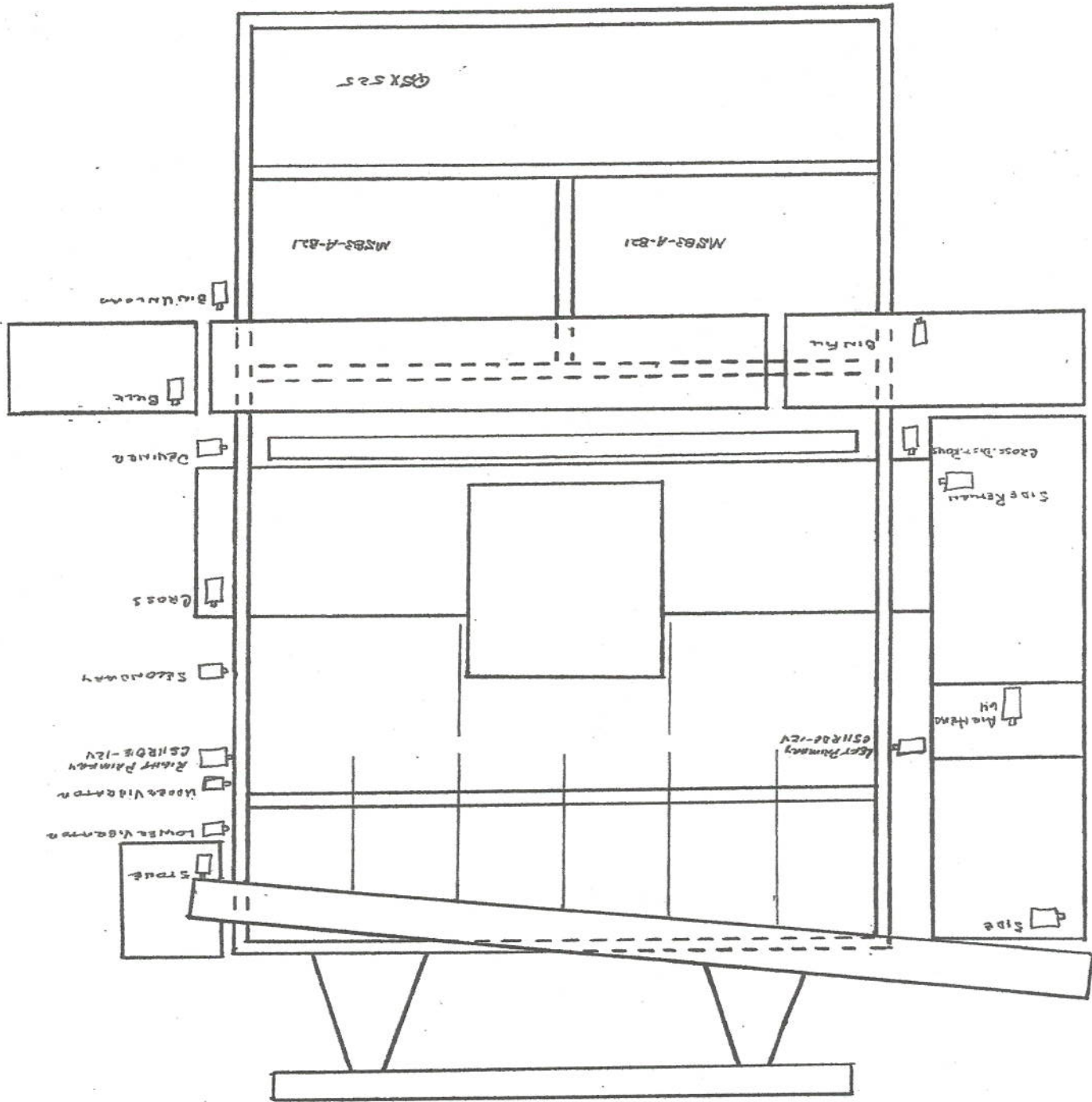
B-13T
 1 1/4"



TANDON 3.0/3.0 E.S.PRONIC
 78461-LAV-04
 B-15T

PLP20.11.2
 0.84
 A-11T

KL3-01/SAT//B,C,C',C'/2-2,6',D,D



MS35-2

MS35-2

R03220
 K. T. HALL FPMMS
 LRSIH-50 "A.H. Trade
 Revision #2 - M. Gross

ESTIMATED ENGINE & PUMP SET UP

LENCO PRODUCTS INC.

| QTY | ORDER | PART NUMBER | DESCRIPTION |
|-----|------------------------|-------------|---------------------------------|
| 18 | 1/2" | | LOCK WASHER |
| 12 | 1/2" | | FLAT WASHER |
| 16 | 1/2"-13 X 1 1/2" GR.5 | | HH C/S |
| 2 | 1/2"-13 X 1 1/4" GR.5 | | HH C/S |
| 6 | 1/4" | | FLAT WASHER |
| 4 | 1/4" X 1 1/2" GR.5 | | HH C/S |
| 8 | 1/4"-20 | | HEX NUT |
| 2 | 1/4"-28 | | HEX NUT |
| 1 | 100-04422-0216 | | GROUND DRIVE CABLE |
| 1 | 16PA-20 | | |
| 1 | 3/4" 90 DEG. ST ELL | | |
| 2 | 3/8" | | LOCK WASHER |
| 2 | 3/8"-16 X 1 GR.5" | | HH C/S |
| 1 | 30013-019 | | TANDEM 64 CONNECTOR ROD |
| 1 | 30025-014 | | TANDEM 64 CONTROL ARM EXTENSION |
| 1 | 3269-10X12 | | |
| 1 | 63 SF-16X16 | | |
| 7 | 63 UA-06X06 | | |
| 5 | 63 UA-08X08 | | |
| 9 | 63 UA-12X12 | | |
| 1 | 63 UA-16X16 | | |
| 4 | 63 UC-12X12 | | |
| 1 | 63 UE-16X20 | | |
| 4 | 63 UF-16X16 | | |
| 24 | 7/16" | | HIGH COLLAR LOCK WASHER |
| 24 | 7/16"-14 X 1 3/4" GR.8 | | HH C/S |
| 2 | 841 FS-08 | | |
| 4 | 848 FSO-06X04 | | |
| 1 | 848 FSO-06X06 | | |
| 2 | 848 FSO-08X08 | | |
| 4 | 848 FSO-08X10 | | |
| 5 | 848 FSO-08X12 | | |
| 4 | 848 FSO-12X12 | | |
| 7 | 848 FSO-12X16 | | |
| 2 | 883 FS-08X06 | | |
| 4 | BRES2F | | ROD END |
| 2 | BW08X08FJ | | |
| 24" | BXP-08 | | |

5773 Crystal Rd. ~ Vestaburg, MI. 48891 ~Phone: 989-268-5083 ~Fax: 989-268-5820

| QTY | ORDER | PART NUMBER | DESCRIPTION |
|-----|-------|--------------|-------------|
| 2 | | Z63 UA-16X16 | |
| 1 | | FT 0710 | |
| 6 | | DTS-2349 | |

ESTIMATED ENGINE & PUMP SET UP

MACHINE # '03220

DATE: 11-17-03
PAGE: 2 OF 2

11/19/03

to 3220

Leitch Hill Farms

WRSPH-50 A.H. Tank

Ground Drive
6482-014
TANDEM 6.4/6.9 SERIES 2 MOUNTS

| | | | | | | | | | | | | | | | | | | | | | | | | | | | | | | | | | | | | | | | | | | | | | | | | | | | | | |
|---|-------------------------|---|----------------------|---|------------------|---|---------------|---|------------|---|----------|---|----------------------------|---|-------------------------------|---|------------|---|-------------|---|--------------|---|------------|---|----------|---|----------------------------|---|------------|---|--------------|---|----------|---|-------------|---|------------|---|-------------|---|---------------|---|------------------------|---|------------|-------------------------|---|-----------|--------------|---|-----------|-----------|--------------------------------|
| 4 | 1/2"-13X1/2" HT C/S GR5 | 4 | 1/2"-12" TINT WASHER | 4 | 1/2"-LOCK WASHER | 2 | 848 F50-12X12 | 2 | 63UA-12X12 | 2 | DRS-2349 | 8 | 7/16"-14X1 3/4" HT C/S GR8 | 8 | 7/16" HIGH COLUMN LOCK WASHER | 2 | 63SF-16X16 | 2 | 263UA-16X16 | 4 | 848F50-06X04 | 4 | 63UA-06X06 | 2 | DTS-2349 | 8 | 7/16"-14X1 3/4" HT C/S GR8 | 2 | 63UF-16X16 | 1 | 848F50-08X10 | 1 | 841FS-08 | 1 | 833FS-08X06 | 1 | 63UH-06X06 | 1 | ONE 1620-50 | 1 | 848 F50-06X06 | 1 | Port "A" PRESSURE PORT | 1 | 63UA-06X06 | Control Case CONVENTION | 1 | 30013-019 | Control Case | 1 | 30025-014 | 30025-014 | TANDEM 6.4/6.9 SERIES 2 MOUNTS |
|---|-------------------------|---|----------------------|---|------------------|---|---------------|---|------------|---|----------|---|----------------------------|---|-------------------------------|---|------------|---|-------------|---|--------------|---|------------|---|----------|---|----------------------------|---|------------|---|--------------|---|----------|---|-------------|---|------------|---|-------------|---|---------------|---|------------------------|---|------------|-------------------------|---|-----------|--------------|---|-----------|-----------|--------------------------------|

Control Case CONVENTION

30013-019
Control Case

30025-014
TANDEM 6.4/6.9 SERIES 2 MOUNTS

11/14/03
 203220
 KIRKHAM FARM
 LRDH-50" H. H. / Tank

- The Home
 6422-147

ELECTRONIC 6.4 HYDRO

Pump Mounting Brackets 4

1/2" - 18 x 1 1/2" HTCS GR8
 1/2" Flat Washers 4
 1/2" Lock Washers 4

848F50-12X12 2

L3UA-12X12 1

63UC-12X12 1

DTS-2349 2

L3UF-16X16 2

7/8" - 14 x 3/4" HTCS GR8 8

7/8" - High Collar Lock Washers 8

OME 1620-90 1

848 F50-08X10 1

841 FS-08 1

883FS-08X04 1

63UA-06X06 1

Case DASH

Port "A" 4" x 8"

Suction Port

Charge Pressure Port

11/14/03

#03220

KITCHEN FRAMES

LRSPH-50-A.H/THINK

PRIMARY CIRCUIT

Electronic
 TB461-LRW-04 THIRDM 2.0/3.0
 FRONT - 72400 - LTF-04 1"-15T INPUT
 RIM - 72400 - LTF-04 3/4"-11T OUTPUT

MOUNTING BOLTS

2 - 1/2"-13X1/2" HHC/S GR5
 2 - 1/2" FINT W/ HEX
 2 - 1/2" LOCK W/ HEX

FRONT PUMP

Auxiliary Change Port

1 - 848 F50-08X08

1 - 63 UA-08X08

24" - RXP08

2 - 848 F50-08X08 FI

Case Drain Port

1 - 848 F50-08X12

Pressure Ports "A" & "B"

2 - 848 F50-12X16

2 - 63 UC-12X12

REAR PUMP

Auxiliary Change Port

1 - 848 F50-08X08

1 - 63 UA-08X08

Case Drain Port

1 - 848 F50-08X12

Pressure Ports "A" & "B"

2 - 848 F50-12X16

2 - 63 UA-12X12

Change Pump Suction Port

1 - OMC 1620-90

11/17/05
 #03220
 KIRKMAN FRANKS

LRBPH-50/AH/TAIR

72400-LHD-04 SINCE 3.0 ELECTRONIC

MOUNTING PORTS

2 1/2"-13 X 1/2" HHC/S GR5
 2 1/2" FLAT WASHERS
 2 1/2" LOCKWASHERS

1 OME 1620-90

1 848 F50-08X12

1 63 UA-08X08

2 848 F50-12X16

2 63 UA-12X12

Large Pump Suction Port

Large Drain Port

Pressure Port "A" & "B"

Gross / Side Conveyor Circuits

02-125554-S

35 VQTR3

MOUNTING

2 1/2"-13 X 1/2" HHC/S GR5
 2 1/2" LOCKWASHERS

1 ORF4048-90

1 16P420

1 63 UE-16X20

1 63 UA-16X16

Suction Port
 Pressure Port

Stone / Bin Vacuum Conveyor Circuits

PLP 30.27-0485-LOR/OB/30.27-LOR/OB-S-N THUNDER CHESAPEAKE

MOUNTING

2 1/2"-13 X 1/2" HHC/S GR5
 2 1/2" LOCK WASHERS

2 GME 1620-90

2 848 F50-12X12

1 63 UA-12X12

1 63 UE-12X12

Suction Ports - Front / RSM

Pressure Ports - Front / RSM

11/14/05
 #03220
 KIRKMAN ITEMS
 WRSPT-50' A.H./THINK

ISRAELI CHANGE PRESSURE CIRCUIT
 PLP 20.11.2-50-0751-LOC/DC-N-EL-AV

| QTY | DESCRIPTION | UNIT |
|-----|-----------------------|------|
| 2 | 3/8" - 1/2" HHC/S GAS | |
| 2 | 3/8" LOCKWASHER | |
| 1 | 3269-10X12 | |
| 1 | 3/4" 90° STEEL | |
| 1 | FT 0710 | |
| 1 | 848 F50-08X10 | |
| 1 | 630H-08X08 | |

MOUNTING

SUCTION

PRESSURE

STERILIZING - VALVE ISRAELI CIRCUIT
 02-341854
 PVE21-L

| QTY | DESCRIPTION | UNIT |
|-----|------------------------------|------|
| 2 | 1/2" - 1/2" X 1/4" HHC/S GAS | |
| 2 | 1/2" LOCK WASHER | |
| 1 | 848 F50-12X16 | |
| 1 | 630H-12X12 | |
| 1 | 848 F50-08X10 | |
| 1 | 630H-08X08 | |
| 1 | OM 224-90 | |

MOUNTING

PRESSURE PORT

LAKE DRAIN

SUCTION

BILL OF MATERIALS
Kitchen farms
6-RSPH 50" Airhead

Cross Conv: 40" Wide chain

| QTY | PART# | DESCRIPTION |
|-----|------------------------------|--|
| 1 | 30005-010 | BACK DRIVE PLATE |
| 1 | 30003-010 | FRT DRIVE PLATE |
| 4 | 30001-010 | BACK DEVINER ROLLER BRKT(CUT FOR 2X4 TUBE) |
| 2 | 30015-010 | FRT MT - 1/2" THK (CUT FOR 2X4 TUBE) |
| 4 | 30000-010 | FRT MT - 1/4" THK (CUT FOR 2X4 TUBE) |
| 6 | 30007-010 | RETURN ROLLER BRKT |
| 4 | 30008-010 | RETURN ROLLER BRKT GUARD |
| 4 | 30038-010 | TRUSS ROD GUIDE TUBE |
| 1 | 30018-022 | 6000 SERIES MOTOR MT |
| 2 | 2X4-1/4 | MAIN CROSS TUBES |
| 3 | 2X2-1/4 | CROSS TUBE |
| 2 | 2X3-1/4 | CROSS TUBE FOR VIB. |
| 1 | 3/4" HRR | CROSS TRUSS ROD |
| 1 | 3/4" THD ROD 6" | CROSS TRUSS ROD END |
| 1 | 1" CR | GUARD UNDER SEC. |
| 1 | 1-1/4" GP | CROSS CONV DRIVE SHAFT |
| 1 | 1/4X4 | BACK GUARD |
| 2 | 1/2X2 | HANGER STRAPS |
| 4 | 1/2X2 | HANGER TABS |
| 1 | 1/8X12 | BACK GUARD |
| 1 | 2X4-1/4 | BACK GUARD SUPPORT |
| 4 | 1/2X4-1/2" | VIB MT PADS |
| 4 | 1/4X1 | VIB PAD GUSSETS |
| 1 | 1/4X2 | MISC |
| 8 | 2-1/2OD-2ID | SPRING RETAINER |
| 4 | 1/2X3 | RETRN ROLLER BRKT LONG |
| 2 | 1/2X3 | HOLD DOWN RETURN ROLLER BRKT |
| 34 | 4" PLASTIC ROLLER | CROSS CONV |
| 4 | R5FBRS ROLLER W/ FLNG | HEAD & END ROLLERS |
| 3 | R-11, Y1 ROLLER | SPROCKET WRAP ROLLERS |
| 2 | F2B-SC-104 (2-BOLT FLNG BRG) | DRIVE BRGS |
| 1 | COUPLER 1-1/4-1-1/4 | MOTOR COUPLER |
| 37 | 1/2"-UNCX4-1/2" HHCS BOLT | ROLLER BOLTS |
| 4 | 1/2"-UNC X 2-1/2" HHCS BOLT | BRG BOLTS |
| 41 | 1/2"-UNC NUTS W/ LOCKS | ROLLER/BRGS BOLT NUTS |

4.....5/8-UNC X 4-1/2" HHCS BOLT
 4.....5/8-UNC NUTS W/LOCKS
 ROLLER BOLTS
 ROLLER BOLT NUTS

Cross Conv. Vibrating Sub-assembly: Kitchen Farms design w/ modifications

| QTY | SIZE | LENGTH | DESCRIPTION |
|-----|-----------|--------|-------------------------|
| 2 | 2x4-1/4 | 72" | SIDE PCS |
| 2 | 3X4-3/8 | 36" | MIDDLE CROSS PCS |
| 2 | 4X4ANGL | 40" | END PCS (1/2" ANGLE) |
| 1 | 1/2X6 | 11" | ECCENTRIC MT PLT |
| 1 | 1/2X3 | 11" | ECCENTRIC MT PLT GUSSET |
| 12 | 3/8X2 | 4" | CORNER GUSSETS |
| 4 | 1/4X1 | 10" | UHMW MT TABS (SIDE) |
| 1 | 1/4X2 | 48" | MISC |
| 4 | 1"CCR | 2" | TOP SPRING RETAINER |
| 4 | 2"OD-1"ID | 1/2" | SPRING WASHER |
| 4 | 1"UNC ROD | 8" | SIDE SPRING ADJUSTER |
| 2 | 1"UHMW | 80" | TOP SLIDES |
| 4 | 1/2"UHMW | 4" | SIDE RETAINERS |

| QTY | DESCRIPTION | LOCATION |
|-----|---|----------------------|
| 12 | 1"UNC NUTS | SIDE SPRING ADJUSTER |
| 4 | 2"ODX1"IDX2-1/2"LG MED. SPRING(9-3210-21 DANLY) TOP SPRINGS | |
| 4 | 2"ODX1"IDX4"LG MED SPRING(9-3216-21 DANLY) SIDE SPRINGS | |
| 1 | ECCENTRIC GEARBOX (KITCHEN'S PROVIDE) | |
| 36 | 1/4"UNCX1-1/4" SLOTTED HEAD SCREWS | UHMW |
| 36 | 1/4"UNC NUTS | |

Dist. Rolls: 14 Pt Stars, 63 Brokenma Stars 1-1/4" sq bore

| QTY | PART# | DESCRIPTION |
|-----|-----------|----------------------------------|
| 1 | 30062-032 | STAR SHAFTS BRG MT PLATE |
| 4 | 30004-032 | STAR ROLL SHAFT DRIVE END |
| 4 | 30027-700 | TAPER WASHER |
| 4 | 30007-032 | STAR ROLL END SLUG (TAPPED) |
| 2 | 30003-700 | 2" THR.D STANDOFF (TIGHTNER BAR) |

| QTY | SIZE | LENGTH | DESCRIPTION |
|-----|-----------------|--------|--------------------------------|
| 1 | 1-1/4X1-1/4-1/8 | 36" | 1 ST DIST STAR TUBE |
| 1 | 1-1/4X1-1/4-1/8 | 30" | 2 ND DIST STAR TUBE |
| 1 | 1-1/4X1-1/4-1/8 | 24" | 3 RD DIST STAR TUBE |
| 1 | 1-1/4X1-1/4-1/8 | 18" | 4 TH DIST STAR TUBE |
| 1 | 1/4X4 | 51" | 30062-032 VERT RIB |
| 1 | 1-1/2X1-1/2-1/8 | 51" | SIDE ELEVATOR END |
| 1 | 1-1/2X1-1/2-1/8 | 49" | CROSS CONV END |
| 1 | 1-1/2X1-1/2-1/8 | 8" | SIDE ELEVATOR END JOG PC |
| 3 | 1-1/2X1-1/2-1/8 | 12" | ALL VERT PCS |

| QTY | SIZE | LENGTH | DESCRIPTION | LOCATION |
|-----|---|--------|------------------------------|----------|
| 1 | 1/2X3 | 20" | DIST STAR DRIVE TIGHTNER BAR | |
| 1 | 1/2X2 | 48" | MISC | |
| 1 | 1X1-1/8 ANGL | 48" | BELTING HANGER | |
| 63 | 14PT BROKEMA RUBBER STAR, 1-1/4 DQ BORE | | DIST SHAFTS | |
| 63 | RUBBER SPACERS (IF NEEDED) | | | |
| 8 | TB-SC-104 DODGE TAP, PILLOW BLK BRG (#124470) | | | |
| 5 | 60BS16 SPROCKET W/ 1-1/4" BORE | | DIST DRIVES | |
| 4 | #60 IDLER ROLLERS | | DRIVE TIGHTENERS | |
| 11 | 1/2UNC X 1-1/2" HHCS BOLTS | | BRG/SHIELD BOLTS | |
| 11 | 1/2" LOCK WASHERS | | BRG/SHIELD | |
| 10 | 5/8UNCX2" HHCS BOLTS | | IDLERS | |
| 10 | 5/8 LOCK WASHERS | | IDLERS | |
| 1 | 3/8 BELTING X 18"X48" | | GUARD | |
| 4 | 30013-006 | | TAPERED 40" CROSS CONV. END | |
| 2 | 30005-006 | | CONV. SIDES (96" LG) | |
| 1 | 30035-006 | | CONV RAIL (48" LG) | |
| 2 | 30024-006 | | END ROLLER BRKT | |
| 4 | 30036-006 | | RETURN ROLLER BRKT | |
| 1 | 4" CHNL | 51" | CHANNEL UNDER STARS | |
| 2 | 2X2-1/4 | 16" | PIVOT TUBE/ROLLER TUBE | |
| 4 | 2X2-1/8 | 51" | CROSS TUBES | |
| 2 | 1/4" UHMW | 10" | RAMP SLIDES | |
| 2 | 1" UHMW | 144" | CONV SLIDES | |
| 1 | 1/4X2 | 72" | HANGER MAT'L | |
| 2 | R5FBR5 W/ FLANGE ROLLER | | LOWER END ROLLERS | |
| 4 | 4" PLASTIC ROLLERS | | RETURN ROLLERS | |
| 24 | 1/4-UNC CSK BOLTSX1-1/4" | | UHMW BOLTS | |
| 24 | 1/4-UNC NUTS | | UHMW BOLTS | |
| 6 | 1/2UNC X 2-1/2" HHCS BOLTS | | MT BOLTS | |
| 4 | 1/2UNC X 4-1/2" HHCS BOLTS | | ROLLER BOLTS | |
| 10 | 1/2UNC NUTS W/LOCKS | | MT BOLTS | |
| 2 | 5/8UNCX3-1/2" HHCS | | END ROLLER BOLTS | |
| 2 | 5/8UNC NUTS W/LOCKS | | END ROLLER | |

Side Elevator: 51" wide Conv.

50" AirHead: Standard w/ direct drive & Hugger Belt system.

| QTY | PART# | DESCRIPTION |
|---------|-----------|--|
| 1 | 40001-050 | 50" TURBO FAN ASSEMBLY |
| 1 | 30003-050 | FAN SHAFT |
| 1 | 40004-065 | BELL CLEANER ASSM'Y |
| 1 | 40002-065 | LARGE TURBO BELL ASSM'Y |
| 1 | 30003-065 | BLOWER HOUSING BACK |
| 1 | 30004-065 | BLOWER HOUSING FRONT |
| 1 | 30010-065 | BLOWER BACK PLT |
| 1 | 30035-065 | BLOWER EXHAUST TOP GUARD |
| 1 | 30021-065 | BRG MT PLATFORM |
| 1 | 30044-040 | BRG MT PLATFORM BOTTOM |
| 2 | 30028-065 | BRG BLKS |
| 1 | 30006-026 | BRG SHIELD |
| 1 | 30008-065 | CLEANER BAND |
| 2 | 30009-065 | CLEANER BAND SLIDE RINGS (1/4X2) |
| 14 | 30028-040 | CLEANER CLIP |
| 1 | 30019-065 | GEARBOX MT |
| 1 | 30039-700 | 3" LUG ON CLEANER BAND |
| 2 | 40005-040 | LEVELING VALVE ASSM'Y |
| 2 | 40007-040 | LEVELING VALVE WEIGHT ASSM'Y |
| 1 | 30005-050 | AIR BOX BACK PLT |
| 1 | 30002-050 | AIR BOX BOTTOM PLT |
| 2 | 30024-040 | AIR BOX CORNER PC |
| 1 | 30025-040 | AIR HEAD SIDE (LT) |
| 1 | 30026-040 | AIR HEAD SIDE (RT) |
| 1 | 30023-040 | AIR HEAD DOOR PC |
| 1 | 30006-040 | VACUUM DOOR ADJ RING |
| 1 | 30030-040 | HUMP SHAFT LIFT ARM |
| 2 | 30055-040 | HUMP SHAFT CHANNEL |
| 4 | 30044-700 | 8" LUG |
| 1 | 30040-700 | 4" LUG |
| 2 | 30057-040 | ROCK RELIEF ARM BUSH |
| 2 | 30045-065 | ROCK RELIEF ARM |
| 2 | 30032-040 | AIRHEAD BUSHING |
| 2 | 30033-040 | AIRHEAD BUSHING |
| 1 | 30034-040 | AIRHEAD BUSHING |
| 4 | 30035-040 | AIRHEAD RAMPS |
| 2 | 30031-065 | RETURN ROLLER BRKT |
| 6 | 30007-022 | 2" PILLOW BLK BRG MTS (DRIVE/LEVELING) |
| 1 | 30018-022 | 6000 SERIES MOTOR MT |
| 14 | 3/4"HRB | BLOWER CROSS RODS |
| 17-3/4" | | DESCRIPTION |
| 18" | | TOP ANGLE / BRACES ON BLOWER |
| 12" | | CLEANER BAND CYL LUG SUPPORT |

| QTY | DESCRIPTION | LOCATION |
|-----|---|-------------------------------------|
| 2 | 1/4X4 | CLEANER BAND CYL LUG CHNL SUPPORT |
| 3 | 2"CR | HUMP, VACUUM DOOR, ROCK RELIEF SHFT |
| 1 | 2"GF SHFT | DRIVE SHFT |
| 2 | 3/4"HR | VACUUM DOOR HINDGES |
| 1 | 7GAX10 | VACUUM DOOR UPPER PC |
| 10 | 11GAX7 | VACUUM DOORS |
| 6 | | VACUUM DOORS |
| 1 | 2X2-1/4 | AIRHEAD SIDE SUPPORTS |
| 1 | 1/2X2 | AIRHEAD SIDE SUPPORTS |
| 1 | 1/4X2 | MISC |
| 1 | 1/2X3 | MISC |
| 1 | 1X1ANGLE | (1/4" ANGLE) |
| 1 | 1/2X1/2ANGLE | AIRBOX PCS (1/8" ANGLE) |
| 1 | 1/2X1/2ANGLE | MISC (1/4" ANGLE) |
| 1 | 2X2 ANGLE | MISC (1/4" ANGLE) |
| 1 | 2/0 TWIST CHAIN | VACUUM DOORS |
| 1 | LINK CHAIN | VACUUM DOORS |
| 1 | 1/4 UHMWX51 | AIR BOX BOTTOM |
| 2 | 2X6-1/4 | LEVELING FRAME |
| 3 | 2X6-1/4 | LEVELING FRAME |
| 4 | 2X6-1/4 | LEVELING FRAME |
| 2 | 2"CR | LEVELING FRAME |
| 4 | 2X4-1/4 | AIRHEAD MT ARMS |
| 2 | 2X2-1/4 | ARHEAD MT ARM BRACES(+) |
| 4 | 1/2X6 | AIRHEAD MT PLTS |
| 2 | 1/2X4 | AIRHEAD MT PLTS |
| 1 | 3/8 BELTING 20 SQ FT | AIRBOX |
| 6 | P2B-SC-200 PILLOW BLK BRG | HUMP SHAFT/ DRIVE SHAFT/LEVELING |
| 2 | P2B-SCM-307 P. BLK BRG | FAN |
| 2 | BH101LW/2"INSERT(3-BOLT FLG) HUMP SHAFT | |
| 1 | ROCK RELIEF SPRING AA23116 | |
| 2 | 3" DOCKER WASHER | |
| 36 | 3/8UNCX1 HHCS | BLOWER HOUSING |
| 36 | 3/8UNC NUTS W/LOCKS | BLOWER HOUSING |
| 6 | 1/2UNCX1-1/2 HHCS | |
| 2 | 1/2UNCX3-1/2" HHCS | |
| 8 | 1/2UNC NUTS W/LOCKS | |
| 13 | 5/8UNCX2 HHCS | |
| 5 | 5/8UNCX3 HHCS | |
| 25 | 5/8UNC SPIN LOCK NUTS | |
| 4 | 3/4UNCX 3" HHCS | |
| 4 | 3/4UNC NUTS W/LOCKS | |
| 1 | HYDRAULIC MOTOR COUPLER 1-1/4"-2" | |

Hugger Belt in Airhead: Thin Fiber Belt w/ v-belt in center. (Endless)

| QTY | PART# | DESCRIPTION |
|-----|-----------|------------------|
| 4 | 3003-011 | ROLL INSERT |
| 2 | 40037-037 | TIGHTENER ASSM'Y |

| QTY | SIZE | LENGTH | DESCRIPTION |
|-----|-----------------------------------|--------|---------------------------------|
| 4 | 1-1/4"CRR | 14" | ROLL SHAFTS |
| 2 | 4"OD | 51" | ROLL |
| 2 | 4"CRR | 1-1/2" | V-BELT DONUT IN CENTER OF ROLLS |
| 6 | 1/2X3 | 8" | BRG MTS |
| 1 | 1/2X6 | 16" | GEARBOX MT |
| 2 | 14GAX30 | 30" | SHIELDS |
| 1 | HINDGE MAT'L 36" | | SHIELDS |
| 2 | 90 DEGREE LATCHES(WJ96 WITH WJ99) | | |

| QTY | DESCRIPTION | LOCATION |
|-----|--|----------------------------------|
| 4 | P2B-SC-104S (1-1/4" PB BRG) | DRIVE ROLL BRGS |
| 1 | 51" WIDE X 114" LG THIN FIBER BELT W/ V-BELT IN CENTER | |
| 8 | 1/2UNC X 2-1/2" SHCS BOLTS | BRG BOLTS |
| 8 | 1/2 FLAT WASHERS | BRG BOLTS |
| 8 | 1/2UNC NUTS W/ LOCKS | BRG BOLTS |
| 2 | GEARBOXES (GRAINGER IL922) 1:1 RATIO BOSTON | |
| 2 | 1" IN & OUT PTO SHAFT | BETWEEN GEARBOXES (LENGTH TBD) |
| 3 | 60BTB24 | DRIVE FROM SIDE RETURN/GEARBOXES |
| 2 | 2012 1" BORE BUSH | GEARBOXES |
| 1 | 2012 2" BORE BUSH | SIDE RETURN DRIVE SHAFT |
| 2 | 60BS16 1-1/4" BORE | HUGGER BELT DRIVE ROLLS |
| 4 | 60 IDLER ROLLERS | |
| 1 | #60 ROLLER CHAIN | |

Side Return Conv: 51" Wide

| QTY | PART# | DESCRIPTION | |
|-----|-----------|----------------------|---------------|
| 3 | 3006-006 | SIDE PCS | |
| 1 | 3005-006 | DRIVE PLT (RT) | |
| 1 | 3005-006 | DRIVE PLT (LT) | |
| 2 | 30024-006 | ROLLER BRK'T | |
| 2 | 30022-006 | END ROLLER BRK'T | |
| 4 | 30036-006 | RETURN ROLLER BRK'T | |
| 1 | 30018-022 | 6000 SERIES MOTOR MT | |
| QTY | SIZE | LENGTH | DESCRIPTION |
| 4 | 2X2-1/8 | 51" | CROSS TUBES |
| 1 | 2X6-1/4 | 74" | CONV MT TUBE |
| 1 | 2X2-1-4 | 96" | CONV MT TUBES |
| 2 | 1/2X6 | 24" | MOUNT PLTS |

| QTY | DESCRIPTION | LOCATION |
|-----|-------------|------------------------|
| 1 | 2"CRB | ROLLER BAR (CONV SWAY) |
| 2 | 1/2X4 | ROLLER BAR SUPPORT |
| 2 | 1"UHMW | CONV SLIDE |
| 2 | 1/4"UHMW | RAMP SLIDES |
| 1 | 2"GP | DRIVE SHAFT |

| QTY | DESCRIPTION | LOCATION |
|-----|-----------------------------------|-------------|
| 2 | F2B-SC-200 (2-BOLT FLG BRG) | DRIVE SHAFT |
| 1 | HYDRAULIC MOTOR COUPLER 1-1/4"-2" | |
| 4 | R5FBRS ROLLER | |
| 4 | 2-1/2" ROLLER | |
| 8 | 5/8-11 X 3-1/2" HHCS | ROLLERS |
| 8 | 5/8-11 NUTS W/LOCKS | |
| 48 | 1/4UNC X 1-1/2" CSK BOLT | UHMW |
| 48 | 1/4UNC NUTS | UHMW |

Bin Fill Conv.: 36" wide w/ Sort area

| QTY | PART # | DESCRIPTION |
|-----|-----------|---------------------------|
| 2 | 30005-006 | CONV SIDE PCS |
| 4 | 30022-006 | END ROLLER BRKT/ & @ BEND |
| 4 | 30036-006 | RETURN ROLLER CHANNEL |
| 4 | 30008-700 | CYL LUGS |

| QTY | SIZE | LENGTH | DESCRIPTION | LOCATION |
|-----|----------------------|--------|---------------|----------|
| 4 | 1/2X4 | 10" | HINDGE PLTS | |
| 1 | 1/4X2 | 72" | MISC | |
| 2 | 2X4-1/4 | 72" | LIFT FRAME | |
| 2 | 2X4-1/4 | 41" | LIFT FRAME | |
| 1 | 2X3-1/4 | 40" | CONV CROSS PC | |
| 1 | 2X2-1/4 | 96" | MISC | |
| 2 | 2"CHNL | 36" | CROSS PCS | |
| 1 | 2X2ANGL | 60" | MISC | |
| 2 | 1"UHMW | 108" | CONV SLIDE | |
| 4 | R5FBRS ROLLER | | | |
| 8 | 5/8-11 X 3-1/2" HHCS | | ROLLERS | |
| 8 | 5/8-11 NUTS W/LOCKS | | | |

Sort Area: 2-Locations to Sort

| QTY | PART # | DESCRIPTION |
|-----|-----------|----------------------|
| 1 | 30018-022 | 6000 SERIES MOTOR MT |
| 2 | 30000-006 | DRIVE PLTS |

| QTY | SIZE | LENGTH | DESCRIPTION |
|-----|----------------|--------|--------------------------------------|
| 2 |1/2X6 | 42" | DRIVE END SIDE RE-ENFORMENTS |
| 2 |1X3 | 8" | GEARBOX MT BLKS |
| 1 |1/2X3 | 48" | MISC |
| 1 |1/2X2 | 60" | MISC |
| 4 |1/2X2 | 8" | 1-1/4" BRG MTS |
| 6 |2X2ANGL | 41" | BIN BOTTOM PAN CROSS PCS (1/4" ANGL) |
| 2 |2X2ANGLE | 64" | TOP CROSS PCS (1/4" ANGL) |
| 4 |2X2-1/4 | 76" | BIN LEGS |
| 2 |2X4-1/4 | 60" | FRAME CROSS PCS(FOR LEGS) |
| 2 |1-1/4"CRR | 44" | IDLER SHAFTS |
| 2 |4"DOM-1/8 | 41" | IDLER ROLL MAT'L |

| QTY | PART# | DESCRIPTION |
|-----|----------------|---|
| 1 |30015-030 | POTATO BIN SIDE-LOWER END (RT) |
| 1 |30016-030 | POTATO BIN SIDE-LOWER END (LT) |
| 1 |30017-030 | POTATO BIN SIDE-UPPER END (RT) |
| 1 |30018-030 | POTATO BIN SIDE-UPPER END (LT) |
| 1 |30019-030 | POTATO BIN BOTTOM PAN (17") |
| 1 |30020-030 | POTATO BIN BOTTOM PAN (41") |
| 1 |30016-030 | PULLEY CENTER V-GROOVE |
| 2 |30029-030 | POTATO BIN SHAFTS (USE GROUND & POLISHED) |
| 4 |30028-030 | IDLER ROLLER INSERT |
| 1 |30002-022 | GEARBOX MT |
| 1 |30015-026 | BIN FRONT SHIELD |
| 1 |30016-026 | BIN BACK SHIELD |
| 1 |30017-026 | PIVOT BACK SHIELD |
| 1 |30018-026 | PIVOT FRONT SHIELD |

Bin: Standard 70-100 Bag Bin.

| QTY | SIZE | LENGTH | DESCRIPTION |
|-----|-----------------|--------|--------------------------|
| 2 |1/4"HRR | 96" | EDGE TOP OF TRASH CHUTES |
| 4 |2"C/NL | 16" | PAN HANGERS |
| 1 |4"C/NL | 60" | UNDER SIDE RETURN CONV |
| 1 |1-1/2"ANGL | 144" | END SUPPORT |
| 1 |1/4"UHMW | | ON PAN |
| 1 |1"UHMW | | CONV SLIDES |
| 1 |1-1/4"GP | 43" | DRIVE SHAFT |

| | | |
|---|----------------|-------------------------|
| 2 |30005-006 | 8" Z BAR CONV. (72" LG) |
| 2 |30008-017 | TRASH CHUTES |
| 1 |30017-006 | SORT TABLE PAN SLIDE |
| 4 |30036-006 | RETURN ROLLER CHANNEL |
| 2 |30022-006 | END ROLLER BRKT |

| QTY | DESCRIPTION | LOCATION |
|-----|------------------------------|----------|
| 2 | 6" DOM-1/8 | 41" |
| 4 | 11GAX12" | 36" |
| 1 | 11GAX12 | 40" |
| 2 | 11GAX16 | 36 |
| 2 | 11GAX12 | 12 |
| | DISCHARGE END GUSSET | |
| | DISCHARGE END GUSSET TOP CAP | |

| QTY | DESCRIPTION | LOCATION |
|-----|--|------------|
| 2 | WS TAKE-UP BRG | TAIL SHAFT |
| 2 | WS TAKE-UP BRG | TAIL SHAFT |
| 2 | WS400X12-TUFR (TAKE-UP FRAME) | TAIL SHAFT |
| 2 | BH101LW/2" INSERT (G-BOLT FLG HEAD SHAFT | |
| 2 | 1/2" RUBBER FLASHING X 4" - 158" LONG | |

Bulkloader: 36" wide 14" Sides - 30" EXTENDED LENGTH

| QTY | PART# | DESCRIPTION |
|-----|-----------|--------------------------|
| 2 | 30042-006 | Z' BAR END PCS |
| 2 | 30007-006 | 14" Z' BAR X 95" LG |
| 2 | 40015-002 | MIDDLE PIVOT BRKT ASSM.Y |
| 1 | 30003-002 | LIFT LUG |
| 1 | 30004-002 | TILT LUG |
| 2 | 30013-002 | MID PIVOT SHIELD |
| 2 | 30009-002 | END PIVOT BRKT |
| 4 | 30022-006 | END ROLLER BRKT & @ BEND |
| 2 | 30006-002 | BULLOADER BUSHING |

| QTY | SIZE | LENGTH | DESCRIPTION |
|-----|------|--------|-------------|
|-----|------|--------|-------------|

| | | | |
|---|------------|-------|----------------|
| 1 | 1/2X4 | 36" | MISC |
| 1 | 1/4X4 | 70" | MISC |
| 1 | 1/4X2 | 40" | MISC |
| 4 | 2: CHNL | 144" | CROSS PCS |
| 1 | 2X3-1/4 | 246" | MISC |
| 1 | 2X2-1/4 | 112" | MISC |
| 1 | 3X3-1/4 | 36" | LOWER CROSS PC |
| 2 | 2X2ANGL | 80" | SUPPORTS |
| 1 | 1-1/4 PIPE | 144" | BOTTOM RAIL |
| 1 | 11GA | 3SQFT | MISC |

| QTY | DESCRIPTION | LOCATION |
|-----|---------------------|----------|
| 6 | R5FBRS ROLLER | |
| 4 | 4" PASTIC ROLLERS | |
| 6 | 5/8-11 X 5/12" HHCS | |
| 6 | 5/8-11 NUTS W/LOCKS | |
| 4 | 1/2-13 X 4/12" HHCS | |
| | RETURN ROLLERS | |
| | PIVOT/ROLLERS | |
| | RETURN ROLLERS | |

| QTY | DESCRIPTION | LOCATION |
|-----|----------------|----------------------|
| 1 |1/2X4 | MISC GUSSETS |
| 4 |3X3-1/4 | LUG STANDOFFS |
| 1 |1/4"X12 | TOP DEFLECTOR SHIELD |
| QTY | SIZE | DESCRIPTION |
| 2 |30006-022 | MT ANGLES |
| 4 |30044-700 | 8" LUG |
| 2 |30007-033 | 1" HINDGE BRKT |
| 4 |30006-033 | 1/2" HINDGE BRKT |
| 2 |30005-033 | BACK |
| 2 |30004-033 | FRONT |
| 1 |30003-033 | SIDE PC |
| 1 |30002-033 | SIDE PC |
| 1 |30001-033 | SIDE PC |
| 1 |30000-033 | SIDE PC |
| QTY | PART# | DESCRIPTION |

Stonebox: Standard Clamstyle.

| QTY | DESCRIPTION | LOCATION |
|-----|----------------------------------|---------------|
| 8 |5/8-11 NUTS W/LOCKS | |
| 6 |5/8-11 X 5/12" HHCS GRADE 8 | MT BOLTS |
| 2 |5/8-11 X 5/12" HHCS | PIVOT/ROLLERS |
| 2 |R5FBRS ROLLER | |

| QTY | SIZE | DESCRIPTION |
|-----|-----------------|-------------|
| 2 |2X3-1/4 | VERT PCS |
| 1 |1/4X3 1/2" | MISC |
| 2 |2"CHNL | CROSS PCS |
| 1 |1/2X2 | MISC |
| 1 |3/8X2 | MISC |
| 1 |1/4X2 | MISC |
| 1 |1/4"GP | DRIVE SHAFT |

| QTY | PART# | DESCRIPTION |
|-----|----------------|----------------------|
| 1 |30027-002 | RH SWIVEL PLT |
| 1 |30026-002 | LH SWIVEL PLT |
| 1 |40024-002 | PIVOT TEE ASSM'Y |
| 1 |40013-002 | CYLINDER MT ASSM'Y |
| 2 |40012-002 | HINDGE PLT ASSM'Y |
| 1 |30018-022 | 6000 SERIES MOTOR MT |

Pivot: 35" CHAIN

4.....1/2-13 NUTS W/LOCKS

6.....5/8-11 X 5/2" HHCs
 6.....5/8-11 NUTS W/LOCKS
 MT BOLTS

Counter Weight: Use 2 slab counter weight, because of engine/bin/stonebox etc.
 QTY PART# DESCRIPTION
 1.....40003-008 COUNTER WEIGHT ASSM'Y

Engine Details:

QTY PART# DESCRIPTION
 1.....30034-015 BATTERY BOX
 4.....30047-015 ENGINE SLIDE BRK'TS
 4.....30028-015 RUBBER MT PADS

QTY SIZE LENGTH DESCRIPTION

2.....2X6-1/4 170" SIDE TUBES
 3.....2X6-1/4 60" CROSS TUBES
 4.....UHMW 2X12 SLIDES

QTY DESCRIPTION LOCATION
 4.....RUBBER ISOLATORS

Oil Tank: Standard.

QTY PART# DESCRIPTION
 1.....40000-035 OIL TANK ASSM'Y

Fuel Tank: Mounted Recessed in frame 1" from Back.

QTY PART# DESCRIPTION
 1.....40002-035 FUEL TANK ASSM'Y (250 GALLON)

Rear Axle: 4-Row w/68.00-50 Rear tires/MS83 Drives (Full Steer)

QTY PART# DESCRIPTION
 1.....40000-023 STEERING BOX ASSM'Y
 1.....40015-023 MS83 TEARDROP ASSM'Y RH
 1.....40017-023 MS83 TEARDROP ASSM'Y LH
 2.....30024-023 BOTTOM LUGS
 2.....30025-023 TOP TOMBSTONES
 2.....40012-023 TOP KING PIN ASSM'Y
 2.....40013-023 BOTTOM KING PIN ASSM'Y
 2.....30026-023 8X10 END CAP
 2.....30053-023 HARD BUSH
 4.....30031-023 REAR AXLE PIVOT BLK (1-1/4" MAT'L)
 2.....30037-023 REAR AXLE TOP PAN (LT & RT)
 2.....30038-023 REAR AXLE PAN BACK
 2.....30041-023 REAR AXLE PAN BOTTOM
 6.....30054-023 HARD BUSH
 2.....30066-023 TIE ROD BUSH
 2.....30048-023 CYL LUG

| QTY | SIZE | LENGTH | DESCRIPTION |
|-----|---------------------|--------|-----------------------|
| 1 | 2 1/2 X 2 1/2 - 1/4 | 192" | COULTER TORQUE TUBE |
| 2 | 2" | 16" | TORQUE TUBE SHAFT |
| 2 | 4 X 6 ANGL | 9" | MT ANGLE (1/2" ANGLE) |
| 2 | 1 X 3 | 9" | MT BRKT |
| 2 | 1/2 X 3 | 9" | MT BRKT |

| QTY | DESCRIPTION |
|-----|---|
| 1 | 40002-007 COULTER TUBE ASSM'Y (RT) |
| 1 | 40009-007 COULTER TUBE ASSM'Y (LT) |
| 4 | 40004-007 HUB ASSM'Y |
| 2 | 40004-018 LIFT BUSH |
| 2 | 40005-007 SHANK ASSM'Y |
| 2 | 40007-007 LIFT ARM ASSM'Y |
| 4 | 30014-007 TORQUE TUBE BUSHING BRKT |
| 2 | 30019-007 TORQUE TUBE BUSHING (DOM) |
| 4 | 30003-900 BRONZE BUSH. BORED (CB-3236-16) |

Counters: Set on 34" rows. Double Counters.

| QTY | DESCRIPTION | LOCATION |
|-----|---------------------------|----------|
| 4 | CYL THE ROD END (KW20Z-1) | |
| 2 | THRUST BRG (GT41) | |
| 8 | 1/4" GREASE ZERKS | |

| QTY | SIZE | LENGTH | DESCRIPTION |
|-----|--------------|--------|-----------------------|
| 1 | 3 X 3 - 3/8 | 52" | THE ROB TUBE |
| 1 | 6 X 6 - 3/8 | 13" | CENTER VERT PC |
| 1 | 6 X 6 - 3/8 | 36" | REAR AXLE PIVOT |
| 1 | 6 X 6 - 3/8 | 16" | FRONT GUSSET |
| 2 | 8 X 10 - 1/2 | 53" | BACK CROSS PC |
| 1 | 4" CRP | 46" | REAR AXLE PIVOT SHAFT |
| 1 | 1/2 X 6 | 120" | MISC |
| 1 | 1/4 X 6 | 16" | MISC |

| | | |
|---|-----------|-----------------------|
| 4 | 30046-023 | CYL LUG |
| 2 | 30051-023 | THE ROD END W/O SHIM |
| 2 | 30052-023 | THE ROD END W/ SHIM |
| 2 | 30027-023 | THRUST BRG COVER RING |
| 1 | 30067-023 | THE ROD ADJUSTER |
| 1 | 30043-023 | THE ROD THR'D END |
| 4 | 30055-023 | THE ROD REDUCER |
| 2 | 30047-023 | SPACER BLK |

| | | |
|-----|----------------------------|------------------|
| QTY | DESCRIPTION | LOCATION |
| 1 |1/2X3 | MISC |
| 4 |SMOOTH COULTER BLADES | |
| 2 |GRESE ZERK | TORQUE TUBE BUSH |

Front Steering:

| | | | |
|-----|---------------------------|----------------------------|--------------------|
| QTY | PART# | DESCRIPTION | |
| 2 |30028-018 | CYL LUGS | |
| 1 |40009-018 | CENTER PIVOT ASSM'Y | |
| 1 |40013-018 | CENTER STEERING ARM ASSM'Y | |
| 1 |30024-018 | THREADED END LH | |
| 1 |30025-018 | THREADED END RH | |
| 6 |30054-023 | HARDENED BUSH | |
| QTY | SIZE | LENGTH | DESCRIPTION |
| 1 |2X2-1/4 | 80" | RIGHT SIDE THE ROD |
| 1 |2X2-1/4 | 108" | LEFT SIDE THE ROD |
| 1 |1/2X6 | 24" | UNIBALL BRACES |
| QTY | DESCRIPTION | LOCATION | |
| 8 |UNIBALL(THE ROD END) | CYL'S & THE RODS | |
| 8 |BOLTS TO FIT UNIBALL | CYL'S & THE RODS | |

Deviner:150mm

| | | | |
|-----|----------------------|----------------------------------|--------------------------|
| QTY | PART# | DESCRIPTION | |
| 2 |30001-011 | DEVINER DRUM SHAFT | |
| 4 |30010-011 | DEVINER DRUM INSERT (1/2" MAT'L) | |
| 2 |30029-022 | 2" PILLOW BLK MT | |
| 1 |30002-022 | GEARBOX MT | |
| QTY | SIZE | LENGTH | DESCRIPTION |
| 1 |8"ID-HEAVY 201" | | DEVINER DRUM TUBE(6-ROW) |

| | | |
|-----|-------------------------------------|----------------------------|
| QTY | DESCRIPTION | LOCATION |
| 2 |P2B-SC-200 (2" PILLOW BLK BRG) | |
| 6 |H150M6LE BLACK ACE | REPLACABLE DRIVE SPROCKETS |
| 6 |WELD-ON SPROCKET MT BRKTS | |

Ladders:

| | | |
|-----|----------------|---------------------------|
| QTY | PART# | DESCRIPTION |
| 2 |40002-020 | HIGH HANDLE LADDER ASSM'Y |

| | |
|-----------------|------------------------------|
| 2.....40000-020 | COUNTER WEIGHT LADDER ASSM'Y |
| 3.....40004-020 | 4 RUNG BOTTOM ASSM'Y |

ToolBox:

| | | |
|--------|-----------|-----------------|
| QTY | PART# | DESCRIPTION |
| 1..... | 40000-038 | TOOL BOX ASSM'Y |

Cooler:

| | | |
|--------|-----------|----------------|
| QTY | PART# | DESCRIPTION |
| 1..... | 30026-022 | FRT COOLER MT |
| 1..... | 30027-022 | BACK COOLER MT |

| | | | |
|--------|---------|--------|--------------------|
| QTY | SIZE | LENGTH | DESCRIPTION |
| 2..... | 2X3-1/4 | 66" | COOLER MT UPRIGHTS |
| 1..... | 1/2X3 | 36" | GUSSETS |

Decking/Railing:

| | | | |
|--------|-------------|--------|------------------|
| QTY | SIZE | LENGTH | DESCRIPTION |
| 7..... | 1.8"WIDE | 120" | DECKING MAT'L |
| 1..... | 2X2 ANGL | 240" | DECKING SUPPORTS |
| 1..... | 1-1/4" PIPE | 600" | HAND RAILS |

Tires:

REAR: 68.00-50
FRONT: 16.00X24 - 12

Engine: Cummins QSX 525 HP

Air tank: 60 GALLON (20" DIA X 48-1/2" LG)
GRAINGER #5Z360

| | | | |
|--------|---------|--------|------------------------|
| QTY | SIZE | LENGTH | DESCRIPTION |
| 2..... | 2X2-1/4 | 52" | VERT MTS |
| 2..... | 1/2X3 | 16" | GROSS PADS |
| 2..... | 1X3 | 10" | REMOVABLE MTS (TAPPED) |
| 2..... | 1/2X3 | 10" | REMOVABLE MT |
| 4..... | 1/4X2 | 3" | MT GUSSETS |