

#07016

Tupling

4RS PH w/65" AH - Bin

Qty	Number	Description
2	2001-0021	Dual Axis Inclinometer
2	2001-0149	TOC 8 Controller
1	2001-0165	Pressure Switch (Cross)
18	2001-0166	Hirschmann Seal/Gasket
6	2001-0167	Hirschman Connector 3 CKT.
18	2001-0169	Hirschmann Conn. W/Light 2CKT
1	2001-0176	10 Amp Brake Pressure Switch
3	2001-0186	Trunnion Mtg Kit
1	2001-0187	Generic Monitor
3	2001-0192	Input Card CCIM
2	2001-0219	IQAN Cable for TOC8
1	2001-0246	Ultrasonic Analog Snsr W/Cable
1	2001-0275	Oil Tank Level Switch
1	2001-0306	Powerlinx Hardwired System
1	2001-0307	Quad Camera Input Adapter
3	2001-0308	I/R Color Camera W/5M Cable
2	2001-0309	Powerlinx 33' Cable For Camera
18	2001-0311	Transducer Connector Pin & Plg
1	2001-0318	Windshield Pedestal Monitor Mt
8	2001-0319	3000# Transducer AMP Connector
2	2001-0457	10000# Transducer AMP Connectr
3	2001-0458	5000# Transducer AMP Connector
2	2001-0459	600# Transducer AMP Connector
3	2001-0460	1000# Transducer W/Amp Cnctr
1	2001-0471	Power Conditioner For Camera
1	20010-009	PVE21L Pump
1	20012-023	510hp QSX Enclosed Engine Assy
1	20020-029	1/4"x40"x26' 3"HD Bin Belt
1	20029-009	35VQTBS Vane Pump 21gpm
2	2003-00229	Primary Chain For 07016 2 Req
2	2003-00231	Deviner Chain For 07016 2 Req
1	2003-00233	Uppr Sd Chain For 07016
1	2003-00234	7/16x36x45mm 2x60 238LPR
1	2003-00235	Bulkloader Chain For 07016
1	2003-00236	Stone Chain For 07016
1	20030-006	Engraved Label Kit for Cab
1	20033-009	V10 Pump RH Splined Shaft 7GPM
1	20038-009	Tandem 64 Hydro Pump -Series 2
1	20052-009	Electric Airhead Pump
1	20054-009	Comm. Trip. CCW
1	20063-009	Casappa Pump
1000	2008-1424701	14 Pnt Star 1 1/2"Br 70/75 Du
1	2011-00002	Char-Lynn Motor 5.9 Cu. In.
8	2011-00003	17.9 Cu. In. "S" Series Motor
1	2011-00007	Eaton Motor (104-1062)
1	2011-00008	Char-Lynn Motor
6	2011-00011	Char-Lynn Motor (104-1067)
5	2011-00017	CharLynn 6000 Motor 11.9 Cu.In

1	2017-05500	Single Valve Bank Section w/co
7	2017-05501	FPS Valve Section W/Check
5	2017-05502	MV5 Valve Bank Outlet Side
5	2017-05503	MV5 Valve Bank Inlet Section
3	2017-05505	Bolt Kit for 1 Bank MV5
1	2017-05506	Bolt Kit for 2 Bank MV5
1	2017-05507	Bolt Kit for 3 Bank MV5
1	2017-06000	Proportional Flow Divider
1	2017-06001	White Flow Divider
1	2017-06004	Flow Divider w/5/8" Inlet
1	2017-07000	Rear Steering Relief Valve
5	2017-07101	High Pressure Relief Valve
2	2017-07500	300psi Relief Valve Cartridge
13	2017-08004	30 Gal Flow Control w/relief
4	2017-08005	16 Gal Flow Control w/relief
2	2017-10038	Walvoil Reversing Valve
1	2017-11304	Shut Off Valve
1	2017-11405	N.C. Solenoid Valve
1	2017-14000	Breakaway Valve
1	2021-06158	Oil Tank Sight Gauge
1	2025-026	John Deere OEM Cab Assembly
1	BF08	1/2" NPT Breather
2	BF12	3/4" NPT Breather
3	BTTR 2F	2" Fine Threaded Rod
2	FT-100	1" Hose Barb
2	FT-200	2" Hose Barb
1	FT-250	2 1/2" Hose Barb
2	OMC-16-90	1" oring x 1" Suction Fitting
3	OMC-1620-90	1" oring x 1 1/4" Suction fitt
1	OMC-2024-90	1 1/4 ORing-1 1/2 Hose Barb
2	OMC-24-90	Suction Fitting
5	ORF-32-90	2" Suction w/ Flange
1	ORF-4048-90	Suction Fitting
52	ST11	11 Gauge Steel
32	ST14	14 Gauge Steel
2	W43-32-32U	2" NPT Flange Adapter

3	2011-00019	6,000 Series Motor
1	2011-00022	Steering Mtr-Column Adapter
1	2011-00023	Steering Motor (212-1017)
1	2011-01001	Splined Airhead Motor
2	2011-06001	MS18+20 Reg w/o Case Flushing
1	2011-06007	MS50 Long RH w/Br, 2Speed,S Se
1	2011-06008	MS50 Long LH w/Br, 2Speed,S Se
1	2012-20061800	2" x 6" Cylinder
4	2012-20081820	2"x8" Cylinder w/Extension
3	2012-20101800	2" x 10" Cylinder
2	2012-20121800	2" x 12" Cylinder
1	2012-30082000	3" x 8" Cylinder
1	2012-30122000	3" x 12" Cylinder
2	2012-30142000	3" X 14" Cylinder
2	2012-30162000	3" x 16" Cylinder
1	2012-30242000	3" x 24" Cylinder
1	2012-40303200	Cylinder 4x30
3	2015-002	In-Tank Filter Assembly
6	2015-014	Spin on Filter Element
3	2015-017	Intank Strainer
1	2015-018	Intank Strainer
6	2015-019	3" Flex Wrap Magnet
2	2015-020	4" Flex Wrap Magnet
2	2015-021	High Pressure Filter
1	2015-022	Inline Filter
1	2015-024	1 1/2" Single Filter Head
1	2015-026	Double Filter Head
2	2015-031	Low Pressure Return Filter
1	2015-032	Low Pressure Return Filter
1	2015-044	Return Filter Elec. Indicator
1	2015-060	Electric Sensor
1	20150-009	Single 3.0 Elec Pump No Cntrlr
1	20151-009	Tndm 3.0 Elec Pump No Cntrlr
1	20155-009	Vickers Pump
10	2017-00060	3/8" Needle Valve
2	2017-00080	1/2" Needle Valve
2	2017-00081	1/2" Needle Valve w/Check
1	2017-01000	1/2" Check Valve
1	2017-01004	Gresen Check Valve
2	2017-02000	1.6 GPM Vonberg Flow Control
1	2017-02002	5 GPM Vonberg Flow Control
8	2017-03032	2" Ball Valve
1	2017-03040	2 1/2" Ball Valve
1	2017-04000	Air Head Cleaner Valve
1	2017-04001	Timer Valve Subplate
3	2017-05000	Cross Reversing Valve
1	2017-05006	2 Bank Pulsar Valve
1	2017-05007	3 Bank Pulsar Valve
1	2017-05400	Cylinder Valve (Rear Steering)

# TupLING

## Thermo King

Fitting

Hose

Fitting

25 FT 1.

70R4601S

#12 Hose CAB/PUMP  
← PUMP/CAB

#12 Hose To #10 Fitti  
STR. ML Insert

132" 2.

70R4408S

#8 Hose ← Pump/COND

70R4408S

21 FT 3.

70R4496S

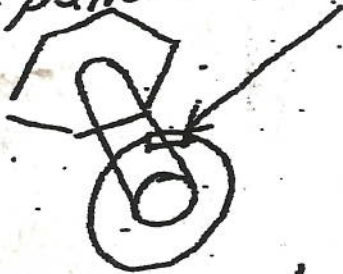
#6 Hose CAB/REC-DEYOR 70R4506S

128" 4.

BLF 1931S

#6 Hose Bottom/REC-DEYOR 70R4496S

Painted numbers on Hose at 12 O-Clock



11 O-Clock

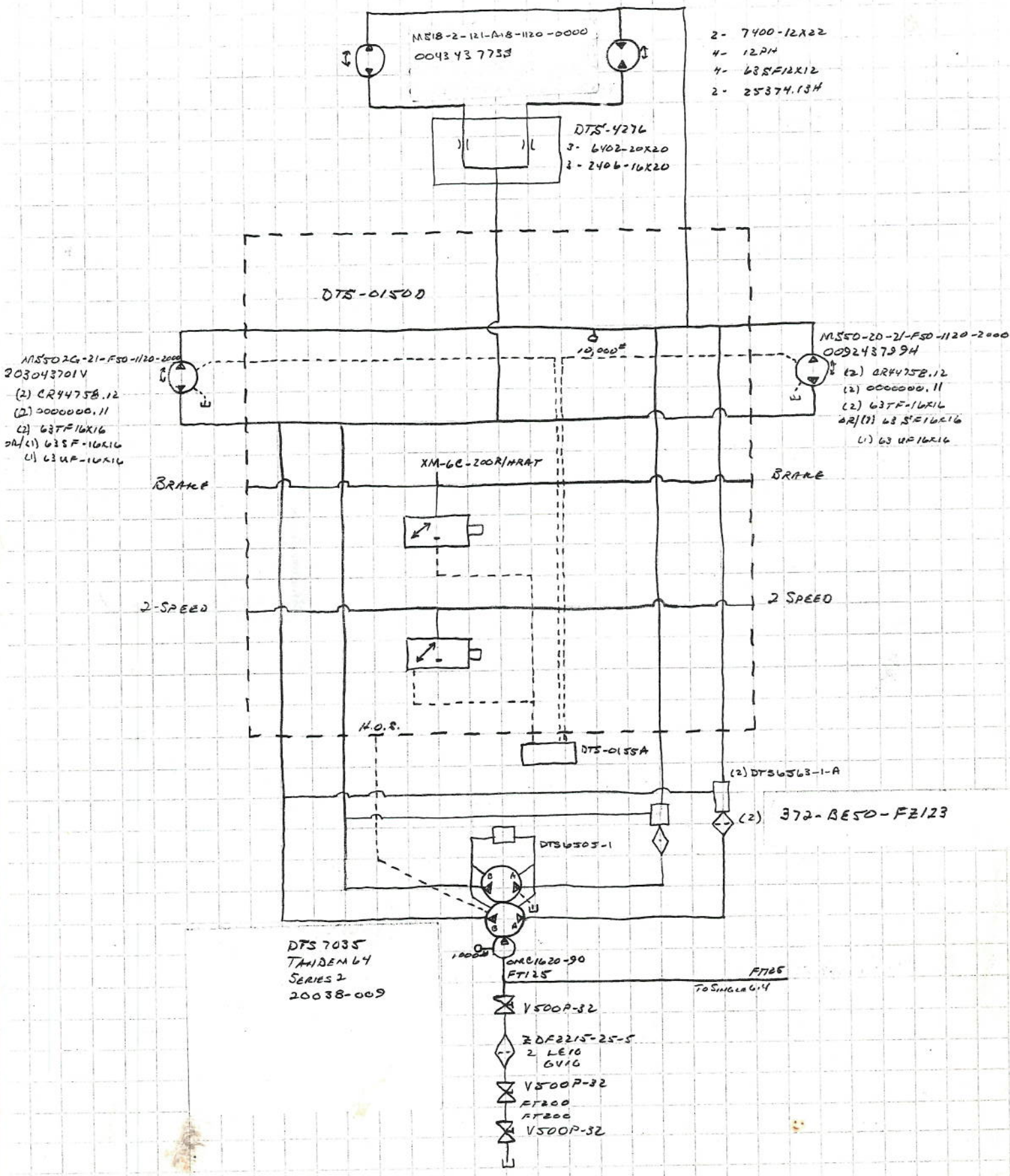


12 O-Clock

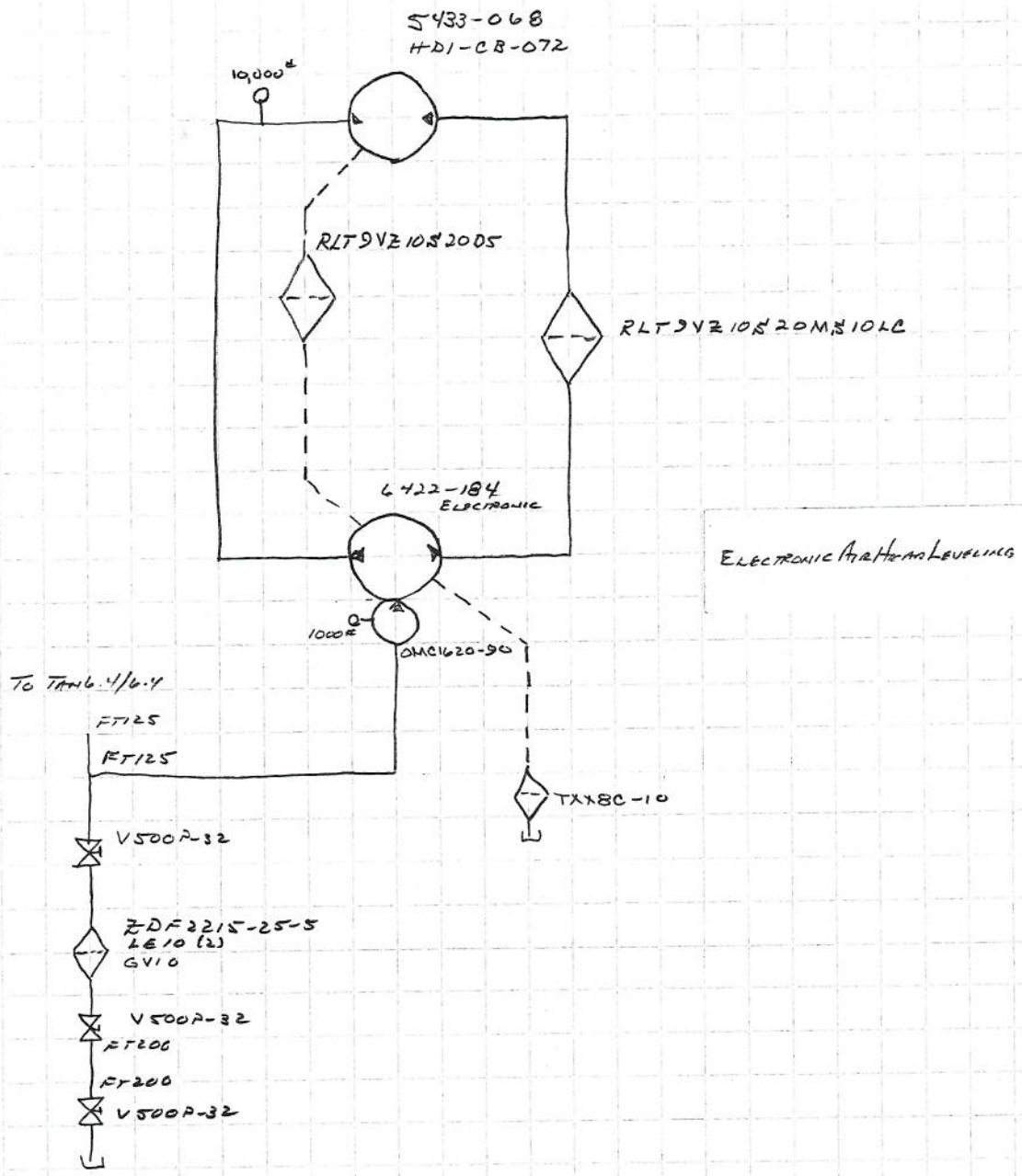
1 - COMPRESSOR SERVICE FITTING

75R5641

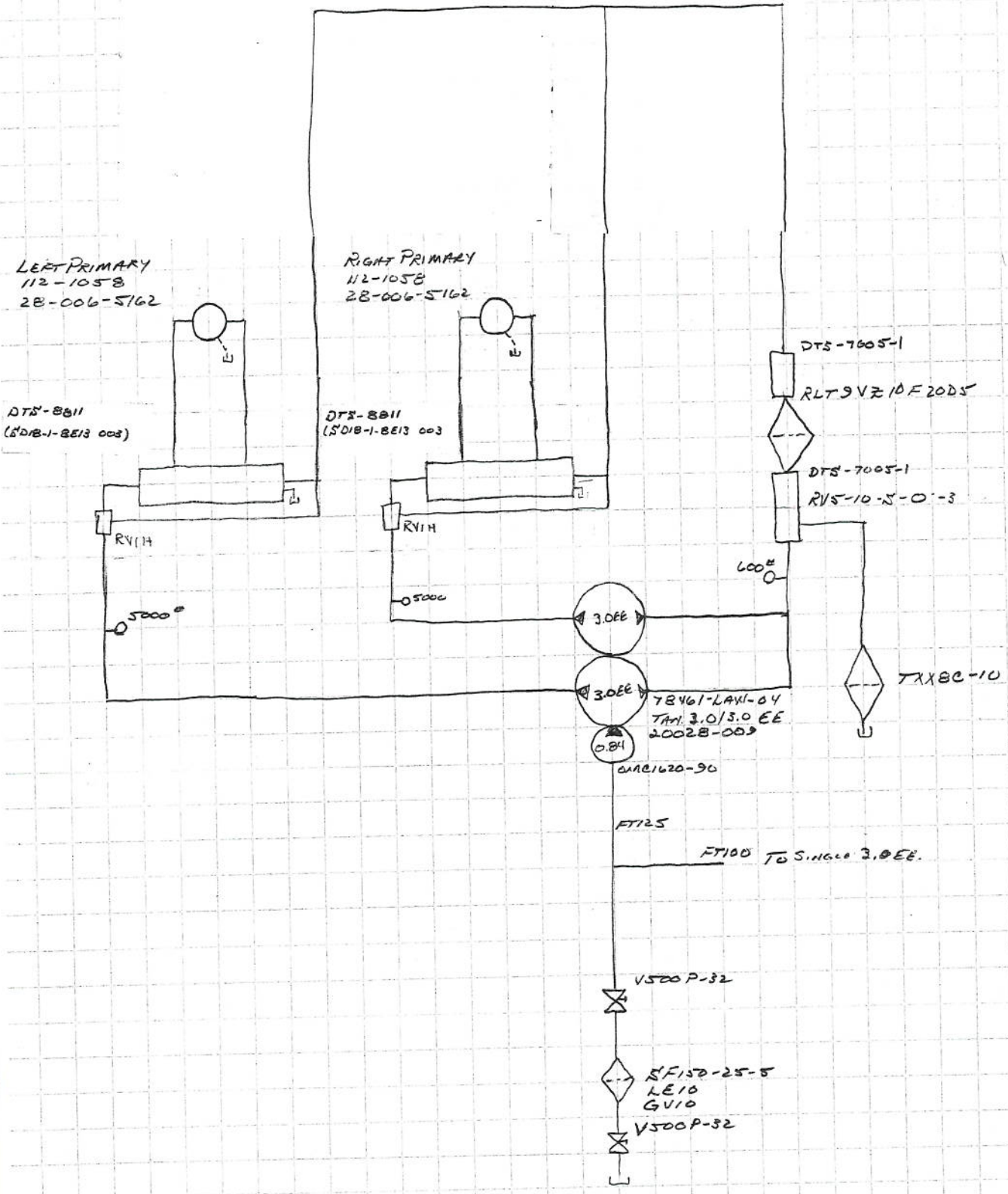
1/10/07  
 # 07016  
 TUPLING FARMS  
 4RSPA W/65" TANK - REG SPAC  
 TABLE - LEVELING



1/10/07  
 # 07016  
 TURLING FARMS  
 W/SPH W/65' TANK - AFFETABLE  
 ELECTRONIC LEVELING



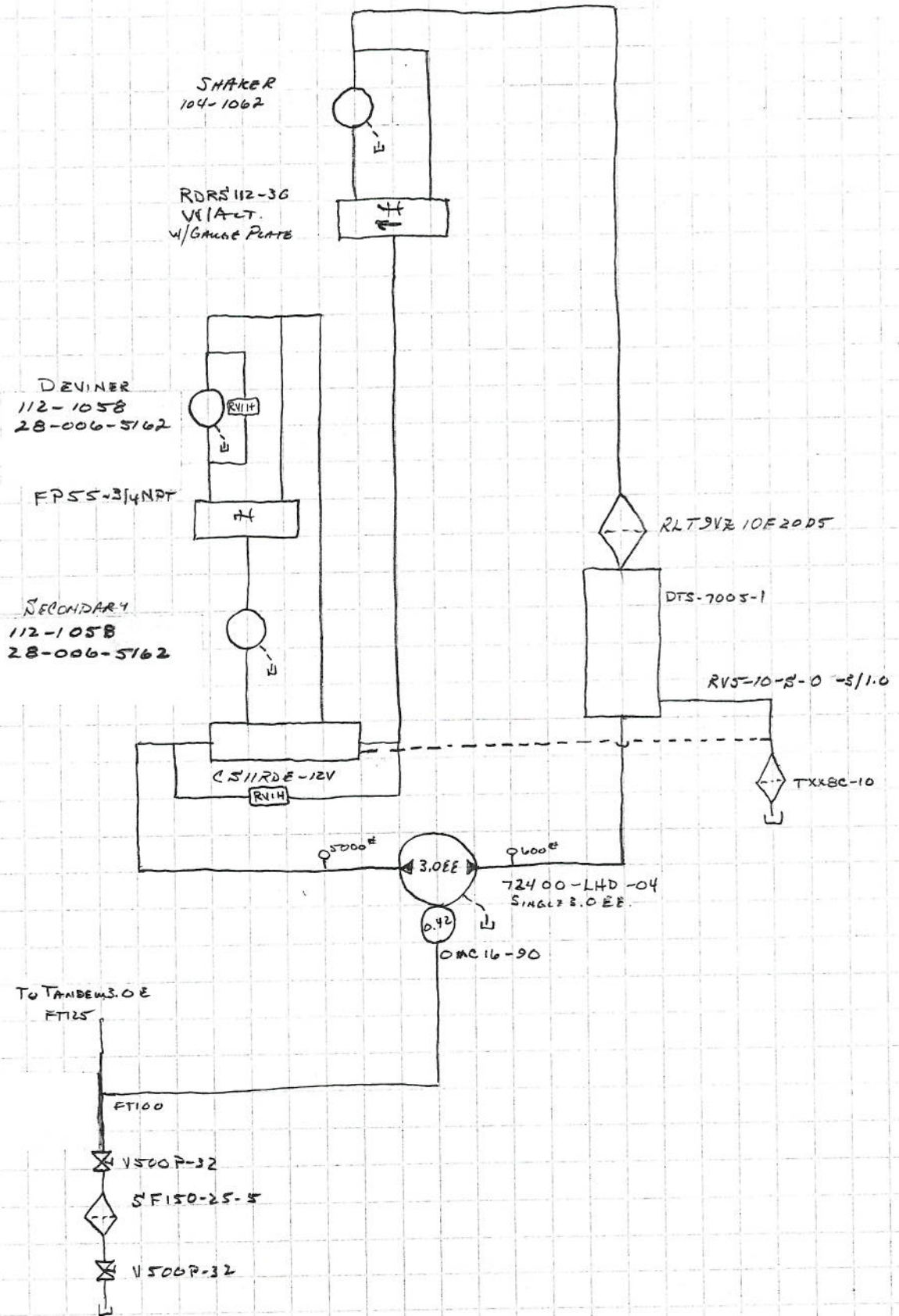
1/10/07  
 # 07016  
 TUPLING FARMS  
 4RSAT W/65' Tank-AFFETABLE  
 ELECTRONIC LEVELING





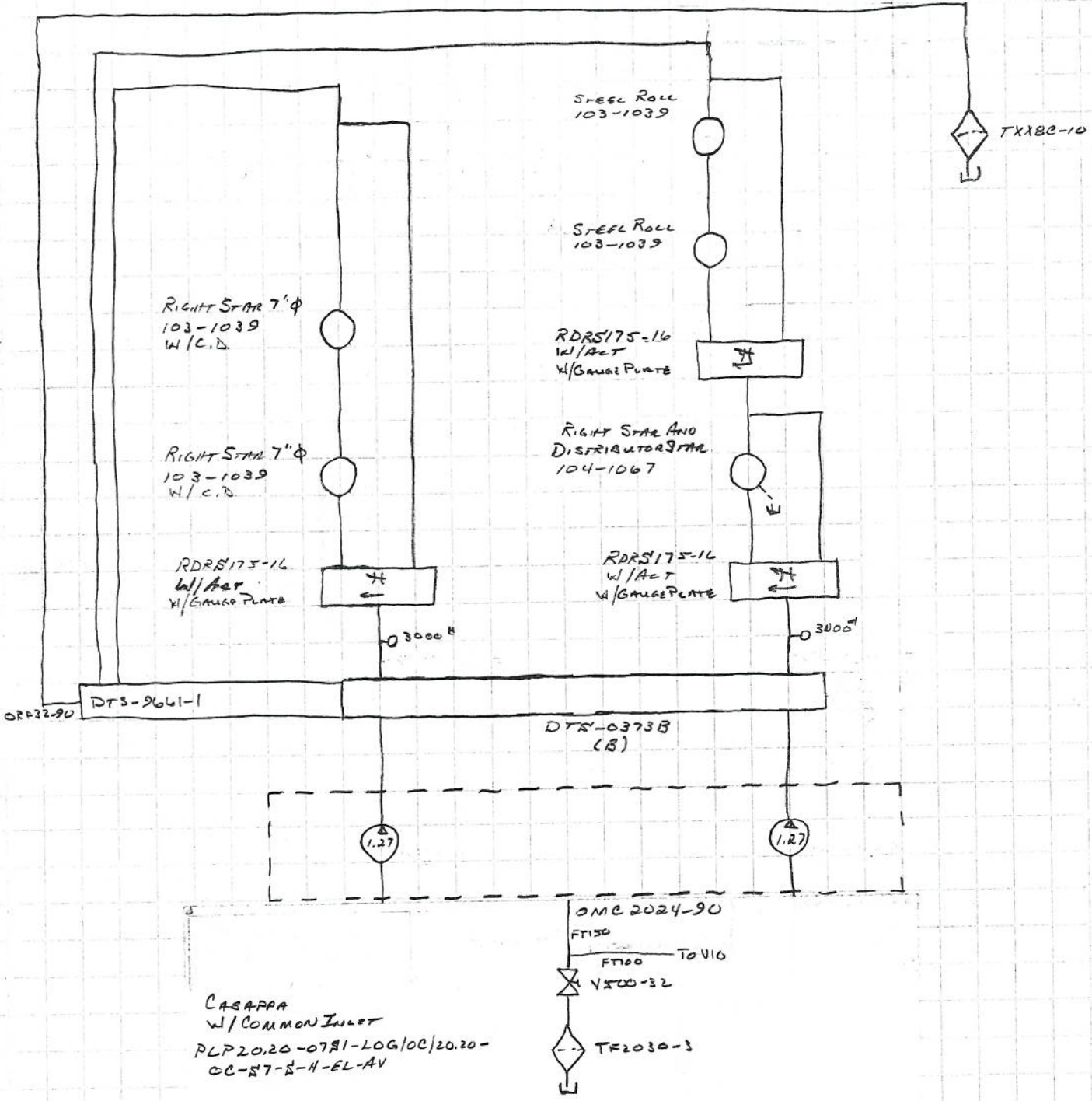
SECONDARY CIRCUIT

1/10/67  
 # 07016  
 TOPPING FARMS  
 4RS/PH W/65" TANK-AFETABLE  
 ELECTRONIC LEVELING

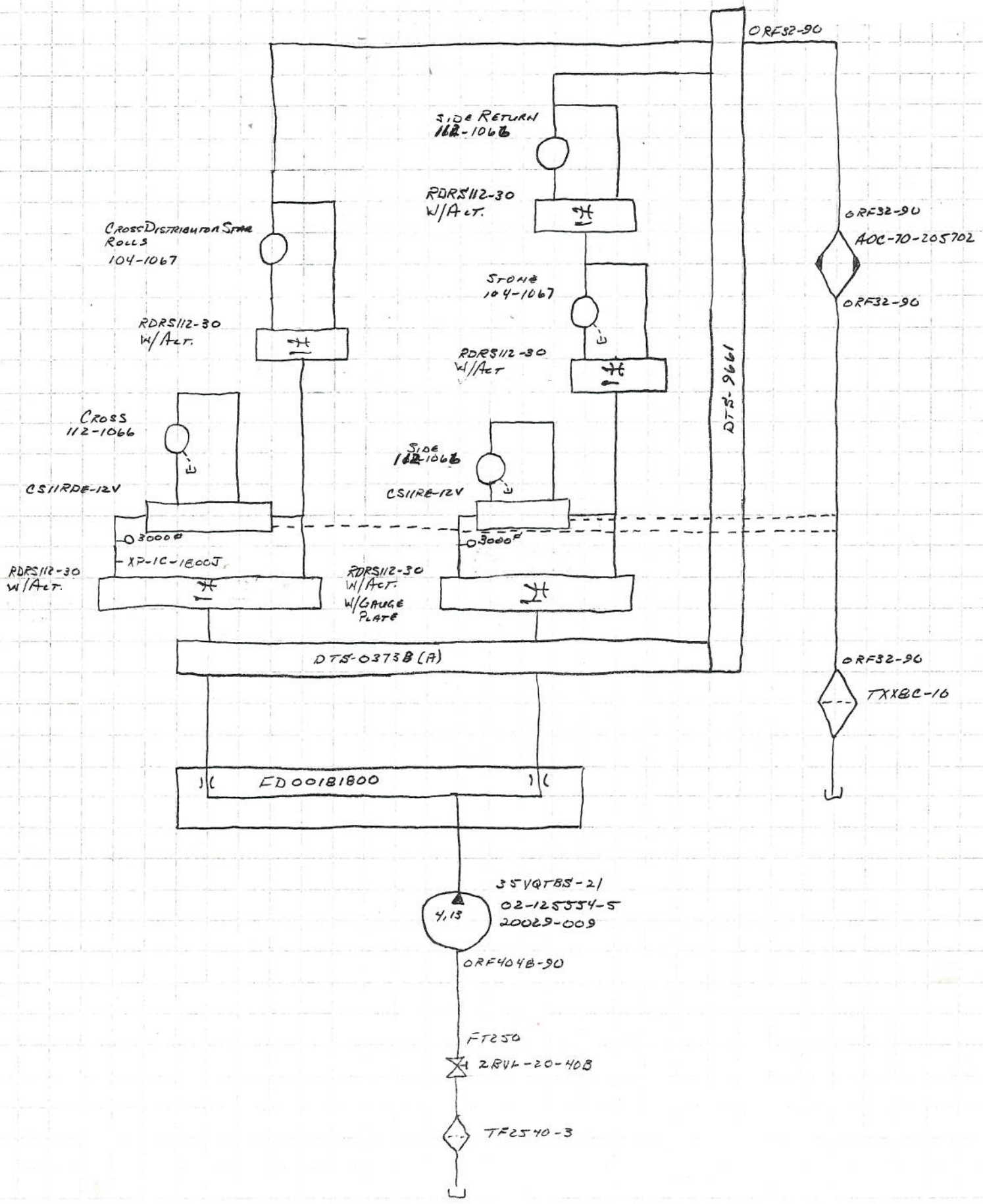


STAR TABLE

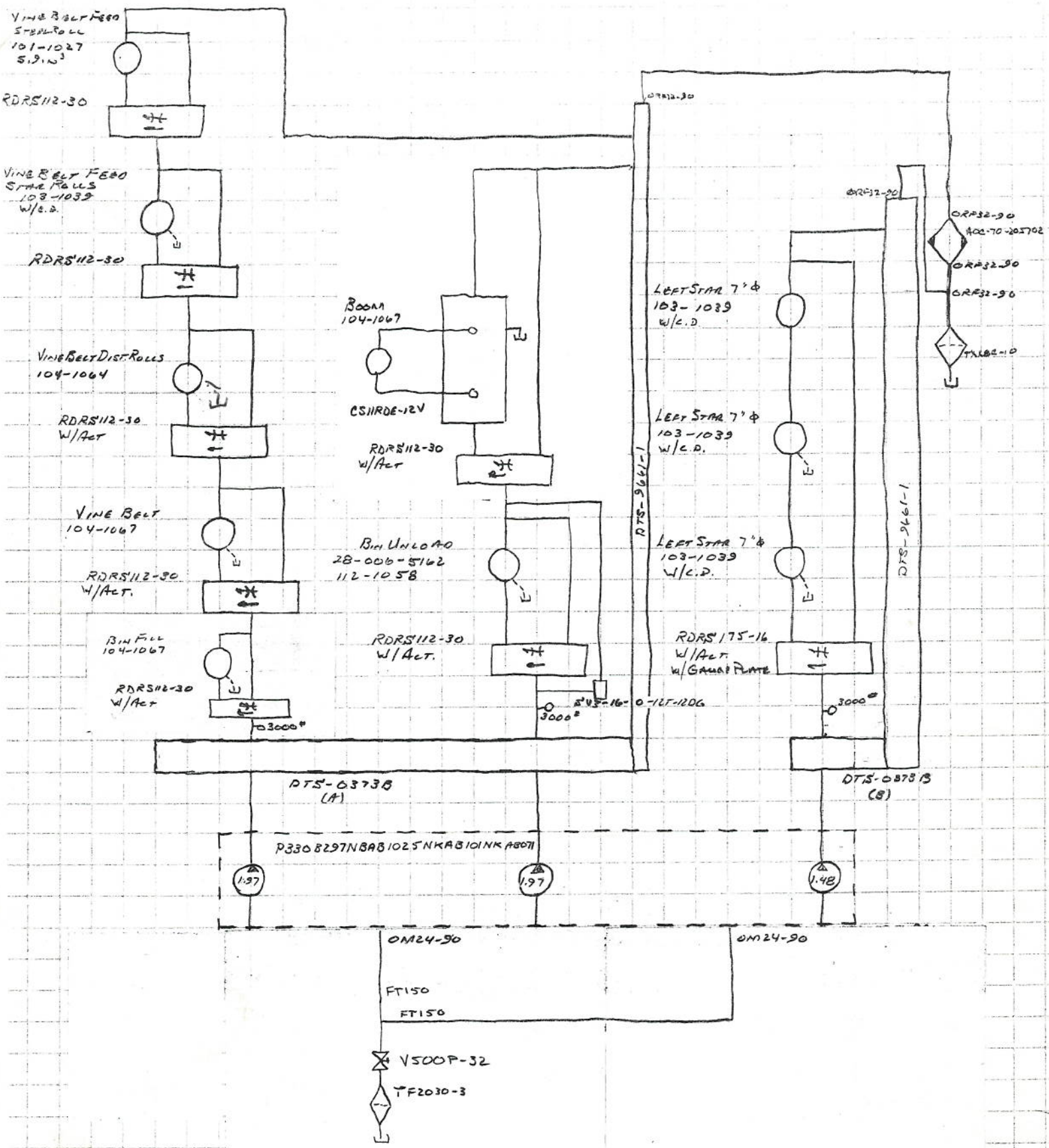
1/10/07  
 # 07016  
 TUPLING FARMS  
 4, RSPH W/65'-TANK-AFETABLE  
 ELECTRONIC LEVELING



5/30/07 #07016  
TUPPING MRSAN/65-TANK

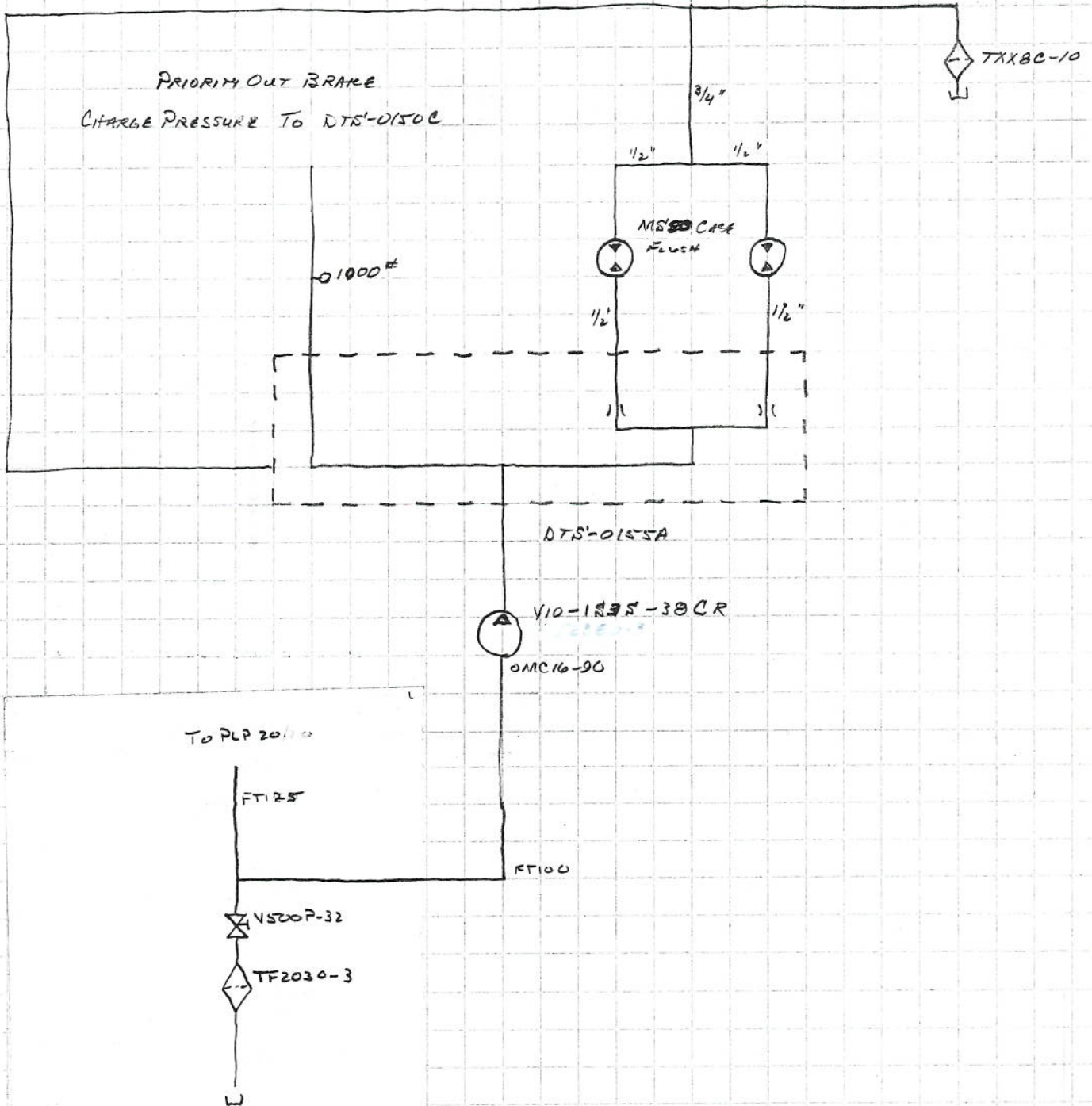


VINE BELT / BIN UNLOAD / LEFT STAR ROLLS



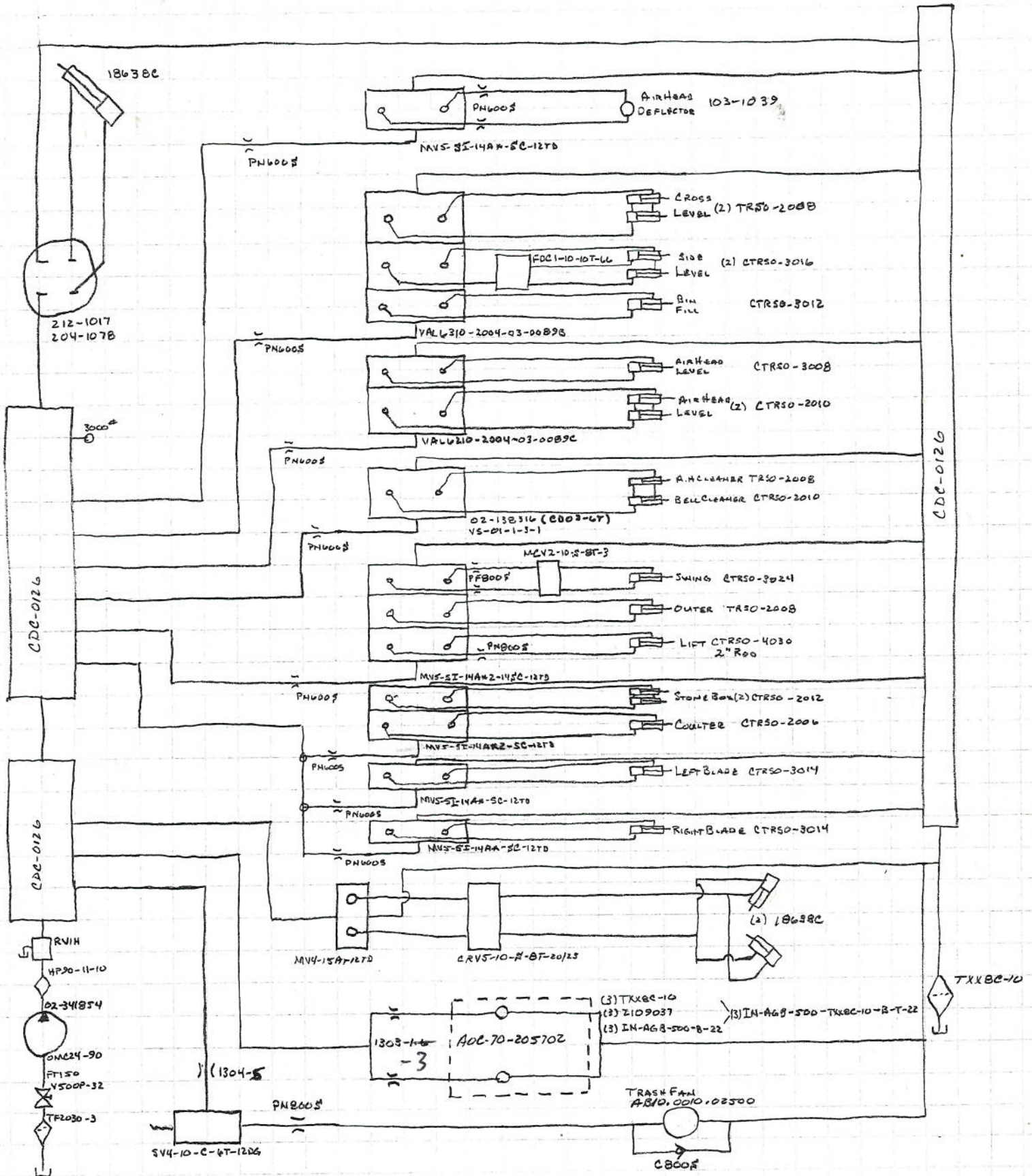
BRAKE CHARGE PRESSURE / CASE FLUSHING

1/10/07  
# 07016  
TUPLING FARMS  
4R5FA W/65"-TANK-AFETABLE  
ELETRONIC LEVELING



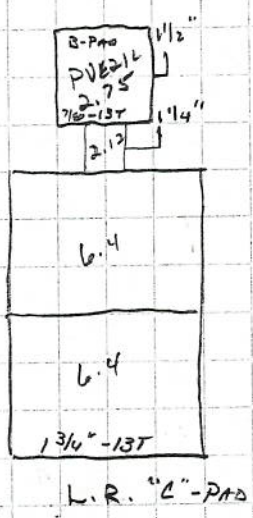
STEERING / VALVE BANK CIRCUITS

1/10/07  
 #07016  
 TUPLING FARMS  
 4RS24 W/65" TANK-AFFETABLE  
 ELECTRONIC LEVELING.

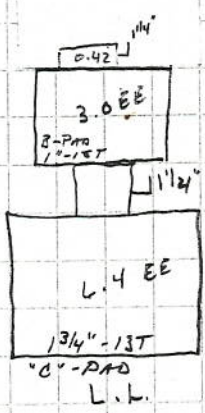


- ④  
TF2540-3  
2 1/2" CLS NIP  
2RVL20-40B  
FT250  
\* 35VQTB'S
- ③  
3" X 2" BUSH  
2" CLS NIP  
V500P-32  
FT200  
FT200  
V500P-32  
2" CLS NIP  
2" 90° STEEL  
W 43-32 PK  
ZDF2215-25-5  
W 43-32 PK  
2" 90° STEEL  
2" CLS NIP  
V500P-32  
2" CLS NIP  
2" TEE X
- ③  
TF2030-3  
2" CLS NIP  
V500P-32  
2" X 1 1/2" BUSH X 2" X 1 1/2" BUSH  
FT150  
\* PVEZIL
- ③  
TF2030-3  
2" CLS NIP  
V500P-32  
2" TEE X  
FT150  
\* TRIPLE COMM  
O 2" 90° STEEL  
2" X 1 1/2" BUSH  
FT150  
\* TRIPLE COMM.
- ③  
TF2030-3  
2" CLS NIP  
V500P-32  
2" CLS NIP  
2" TEE X  
X 2" X 1 1/2" BUSH  
FT150  
\* TANDEM PLP  
O 2" 90° STEEL  
2" X 1 1/2" BUSH  
FT100  
\* V10
- ④  
4" X 2" BUSH  
2" CLS NIP  
V500P-32  
2" X 1 1/2" BUSH  
1 1/2" CLS NIP  
S F150-25-5  
1 1/2" CLS NIP  
2" X 1 1/2" BUSH  
V500P-32  
2" CLS NIP  
2" TEE X  
X 2" X 1 1/4" BUSH  
FT125  
\* TANDEM 3.0EE  
O 2" 90° STEEL  
2" X 1 1/2" BUSH  
FT100  
\* 3.0EE

X 2" X 1 1/4" BUSH O 2" 90° STEEL  
 FT125 2" X 1 1/4" BUSH  
 FT125  
 \* T64/64 \* L4EE

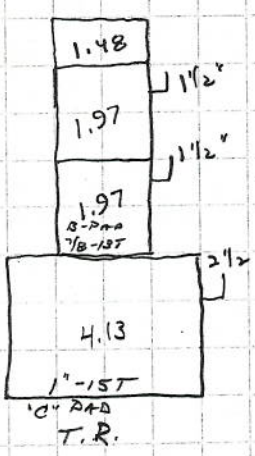


L.R. "L"-PAD

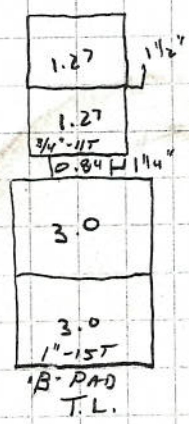


L.R - TANDEM L.4 - GROUND DRIVE  
 PVEZIL - STEERING CIRCUIT  
 L.L. - L.4 EE - AIR HEAD  
 - 3.0EE - SECONDARY

T.R - 35VQTB'S - CROSS  
 SIOE  
 TRIPLE COMMERCIAL - BIN FILL  
 BIN UNLOAD  
 LEFT START TABLE  
 T.L. - TANDEM 3.0EE - LEFT PRIMARY  
 RIGHT PRIMARY  
 TANDEM PLP - RIGHT START TABLE  
 - RIGHT START DIST. STAR  
 ERIG - V10 - BRANE CHARGE PRESSURE

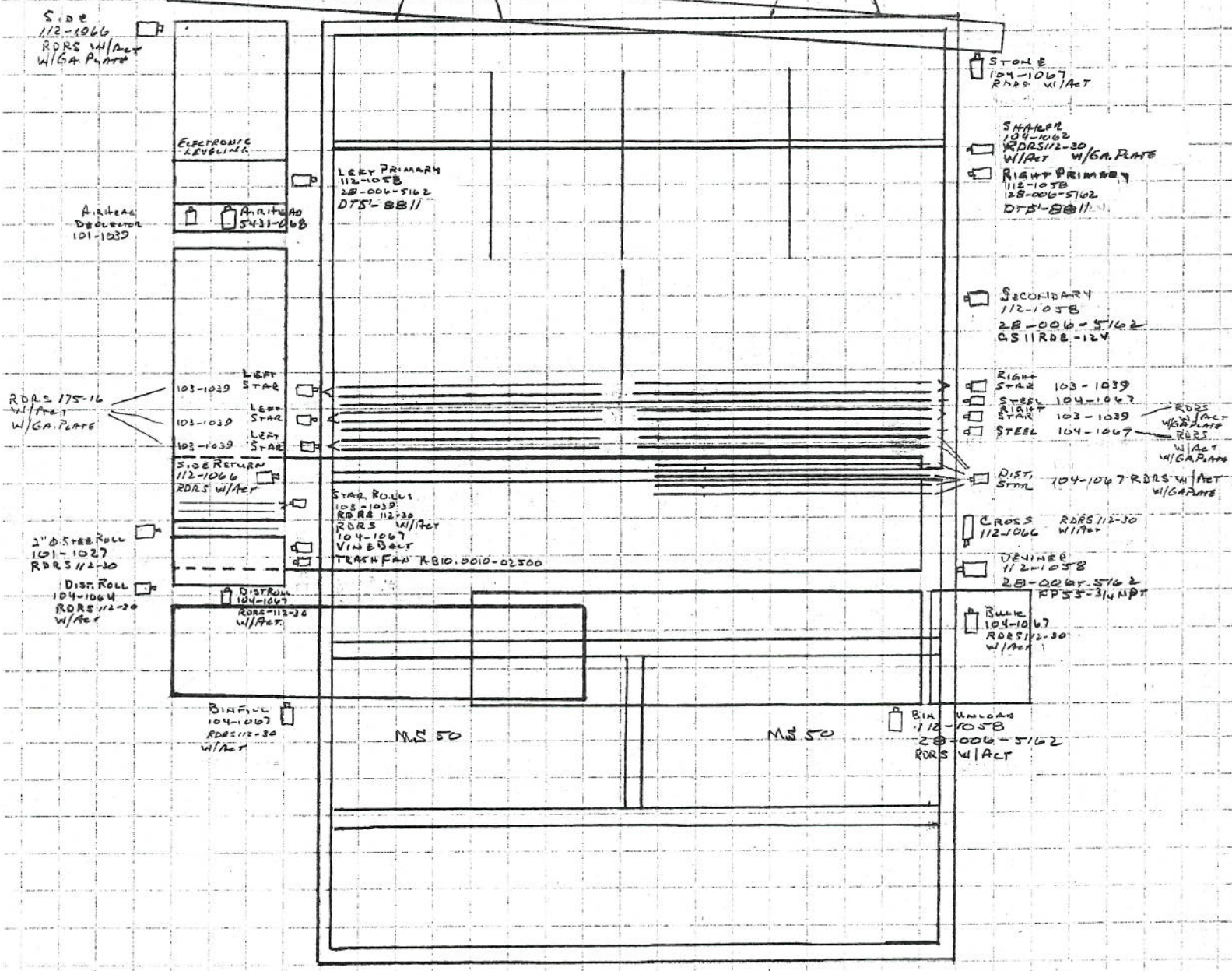


GEAR PRODUCTS - 4 HOLE BOX  
 DP49



607016  
TOPPING  
4RSAH / 65'-TANK

NLS 18-2 NLS 18-8





1/10/07  
# 07016  
TRUPLING FARMS  
4RSPH 11/65" TANK-TYPE TABLE  
ELECTRONIC LEVELING

