

#1729

Para Mouth Firm

UP-SPH 65AH

MACHINE 1721

PARAMOUNT

4 Row 65" Air Head Wise Frame

36" Row spacing

Prim $\frac{1}{2} \times 33 \times 42$ mm 20N 15T

Sec $\frac{3}{4} \times 68 \times 42$ mm STR RC

DRU $\frac{5}{8} \times 68 \times 150$ mm

CROSS $\frac{3}{4} \times 40 \times 42$ mm

Side $\frac{3}{4} \times 65 \times 42$ mm

BOOM-SORT $\frac{3}{4} \times 40 \times 36$ mm

Adj. STAR TABLE w/ SHOCK SPRINGS

65" TRASH ELIMINATOR

N14 - 450 HP

66.43 x 25 REERTING

ASSO. TANDAN 64

Large STORE BOX

Large FULL TANK

37° REAR AXLE

REAR VALVES ON PRIM

TA 1919 PRIM

GRAO BOX'S

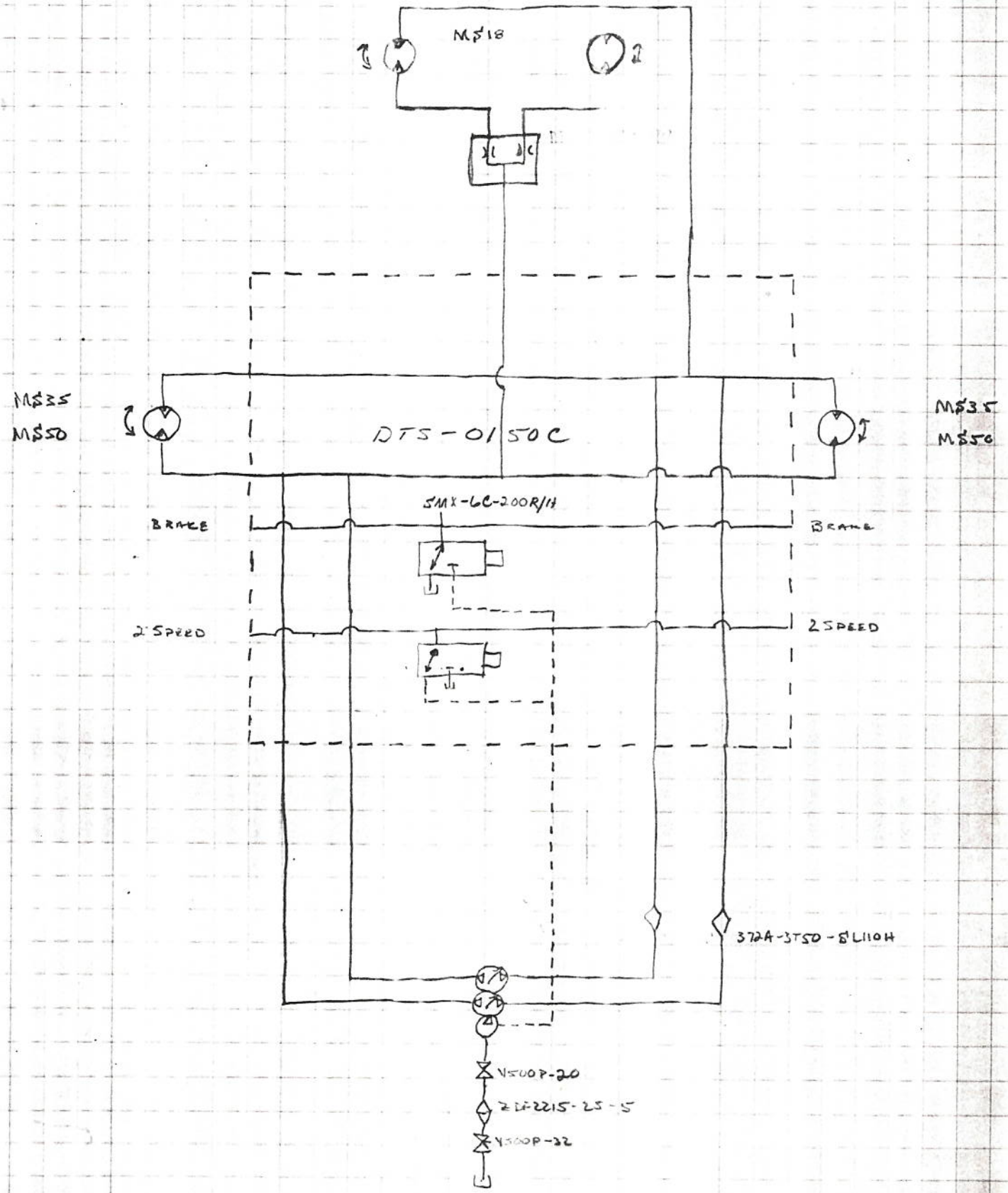
BELL CLEANER

EXTRA SHAKER

STROBE LIGHTS

48.00 x 25 x 20 FRONT TINES

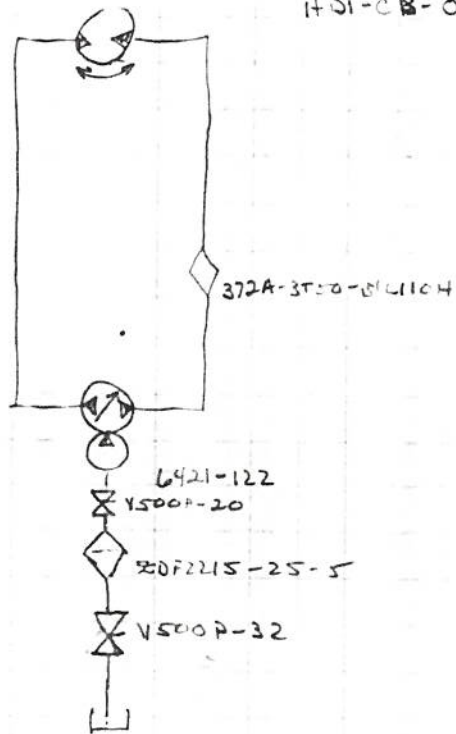
1998 SELF-PROPELLED HARVESTER GROUND DRIVE
DTS-0150C



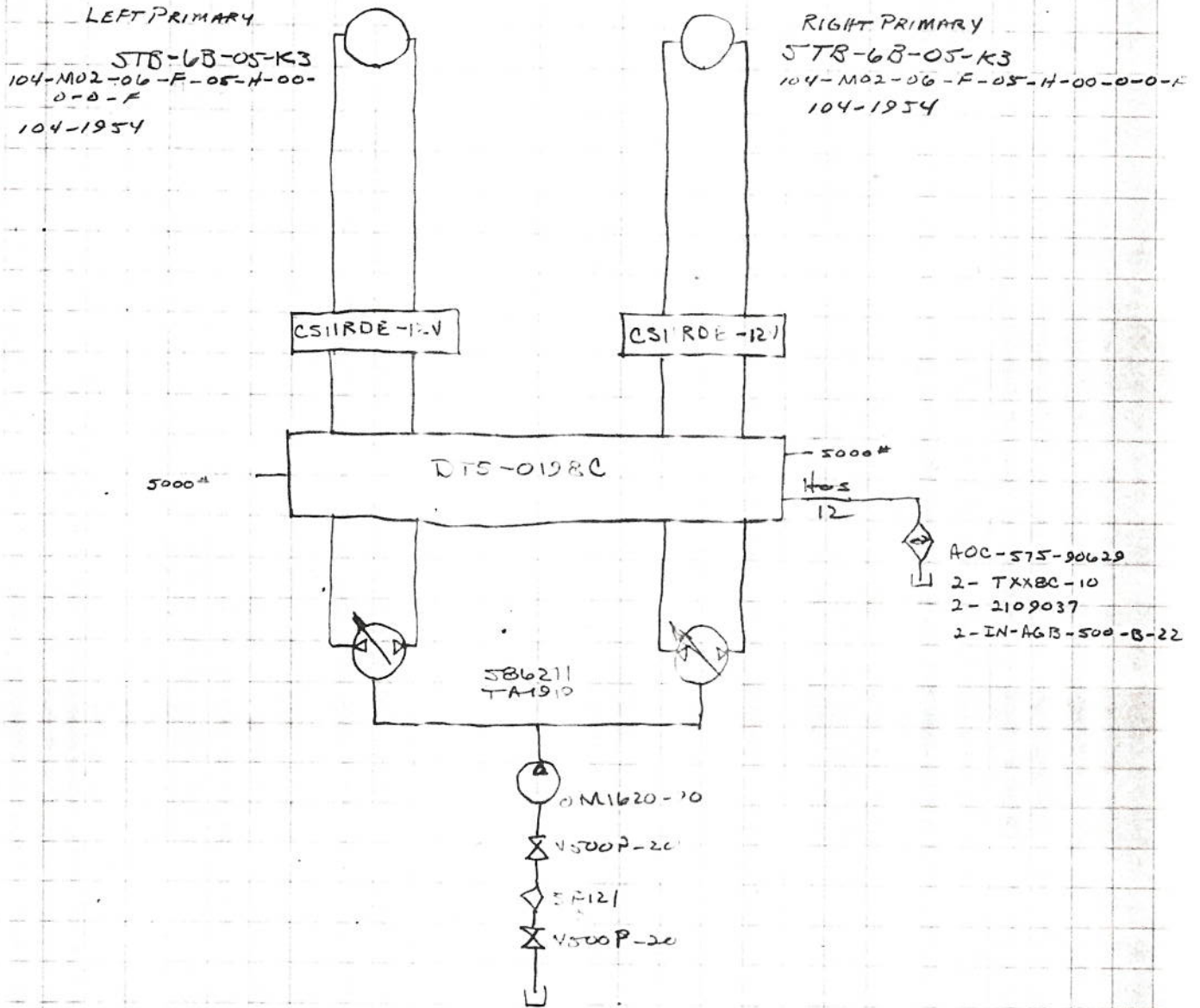
1998 65" Air Head

5431-068

14D1-CB-068 Gear Box

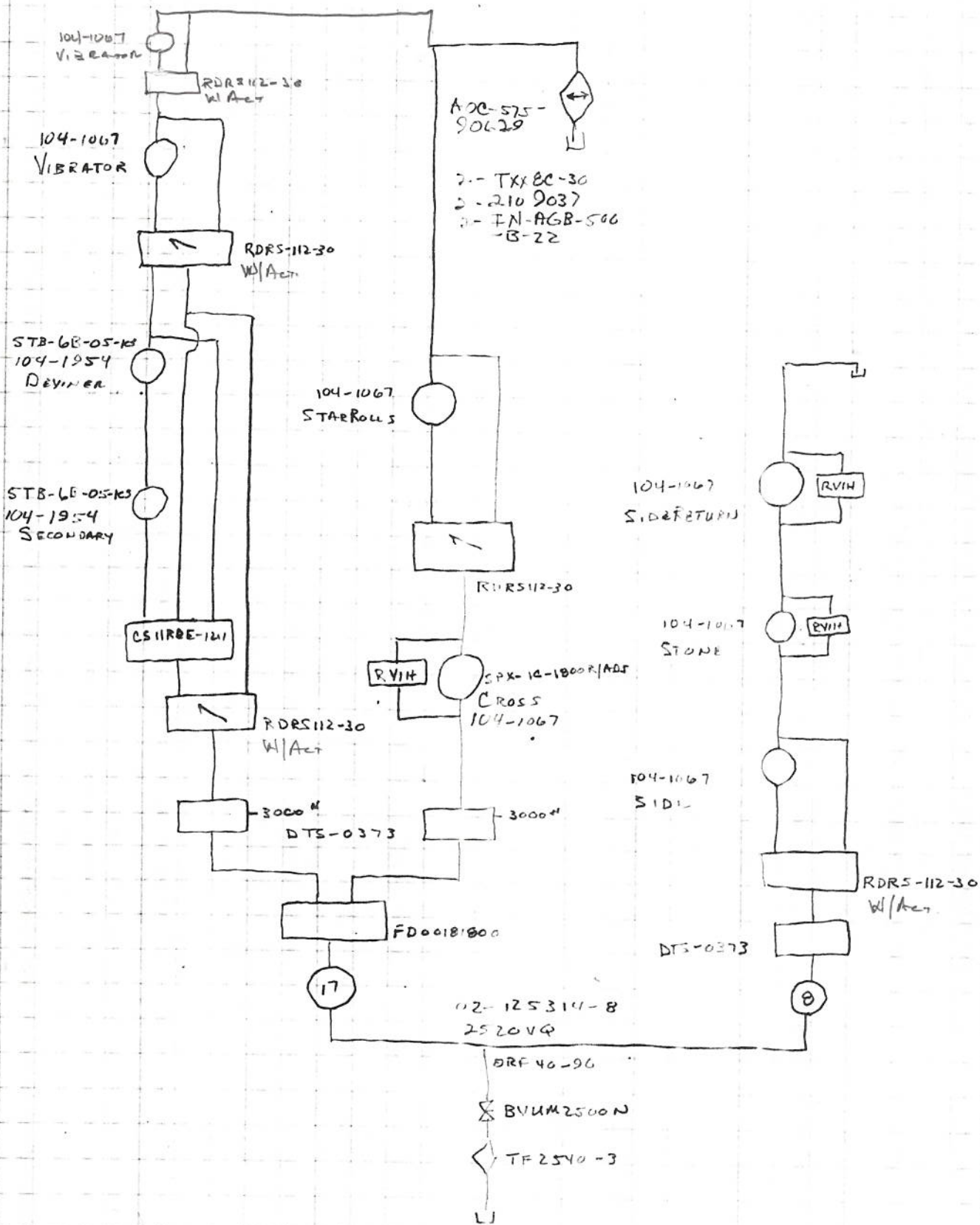


1998 PRIMARY CIRCUIT

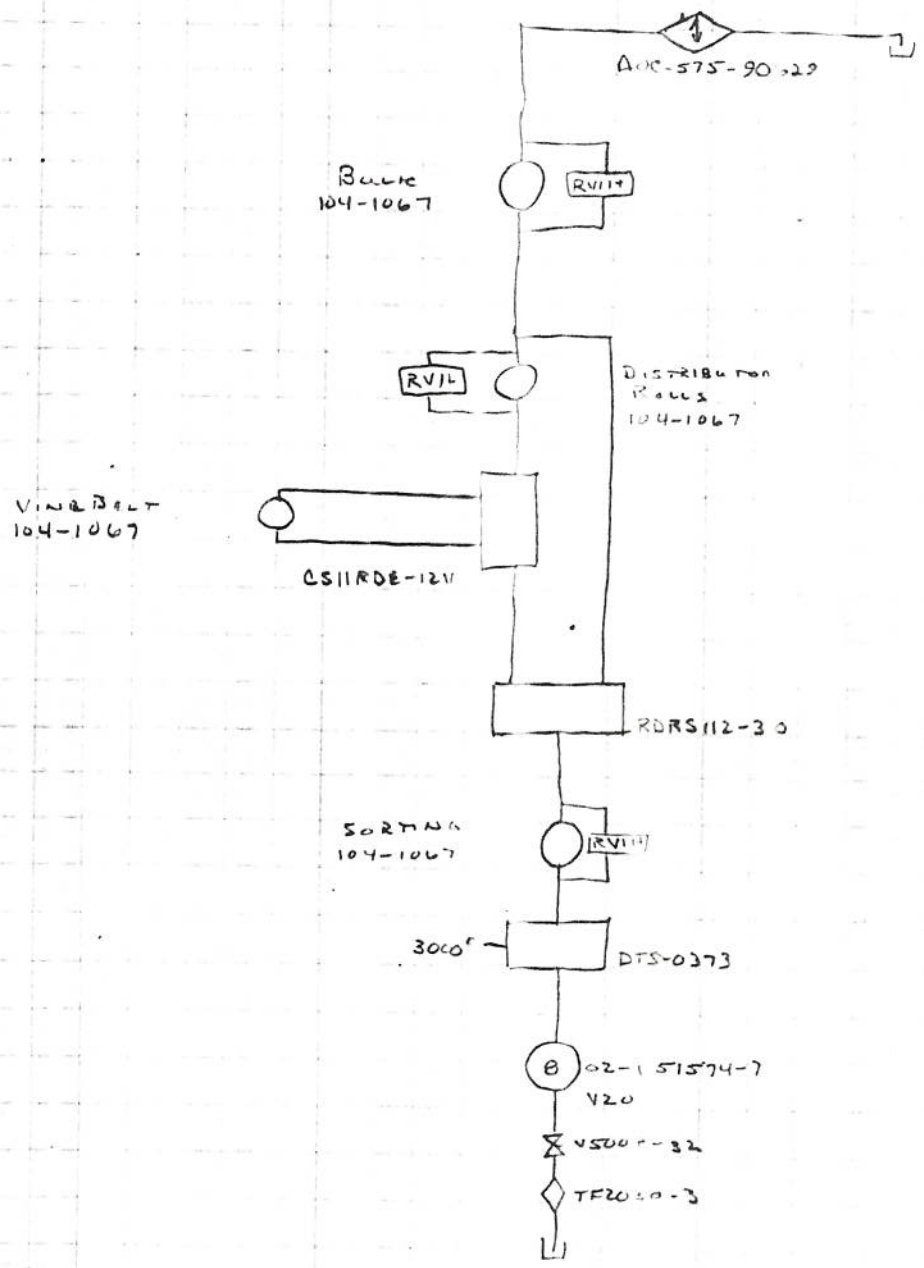


HARVESTER

1998 SELF-PROPULSED HARVESTER
 SECONDARY/CROSS/SIDE CIRCUIT: 65" A.H. / 10" A.H.



1998 4E6 RSPH W/65" A.H / 40" A.T. A
 SORTING CIRCUIT H / VINE BELT



1998 4x6 RSDH W/65" / 40" A.I.
 OPTION ADDER: REAR STEERING

A

