

19095

HJV

QRSPT

$\frac{1}{2}$ " AH

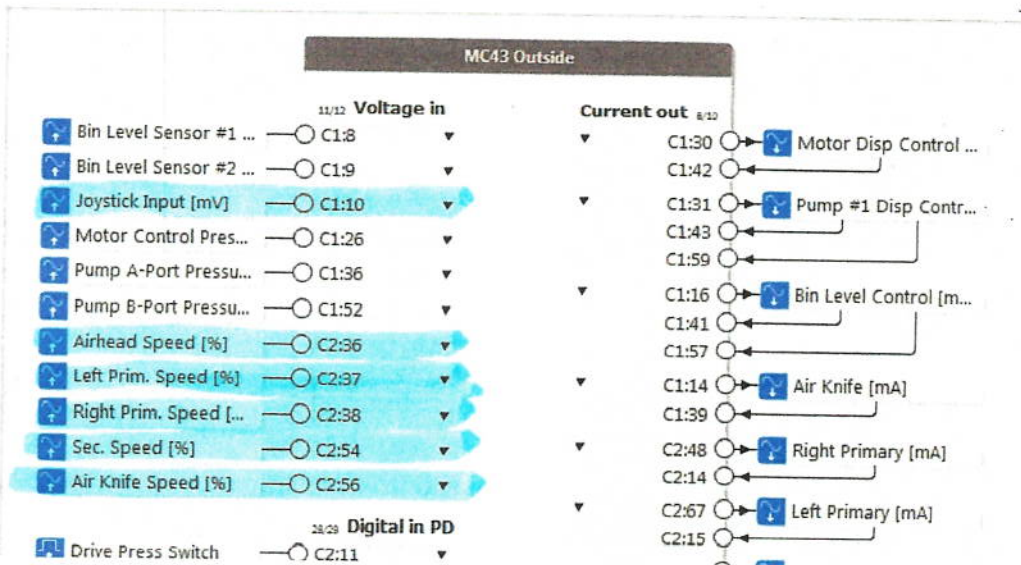
Pin	Name	Channel	Description
C1:1	-BAT		
C1:2	CAN-A-L		
C1:3	CAN-B-L		
C1:4	CAN-C-L		
C1:5	RS232-DATA IN		
C1:6	ADDR-L		
C1:7	+RTC		
C1:8	RS232-DATA-OUT		
C1:9	CAN-C-H		
C1:10	CAN-B-H		
C1:11	CAN-A-H		
C1:12	+BAT		
C2:1	-		
C2:2	-		
C2:3	-		
C2:4	-		
C2:5	-VREF		
C2:6	USB-D-		
C2:7	USB-D+		
C2:8	+VREF		
C2:9	-		
C2:10	-		
C2:11	-		
C2:12	-		

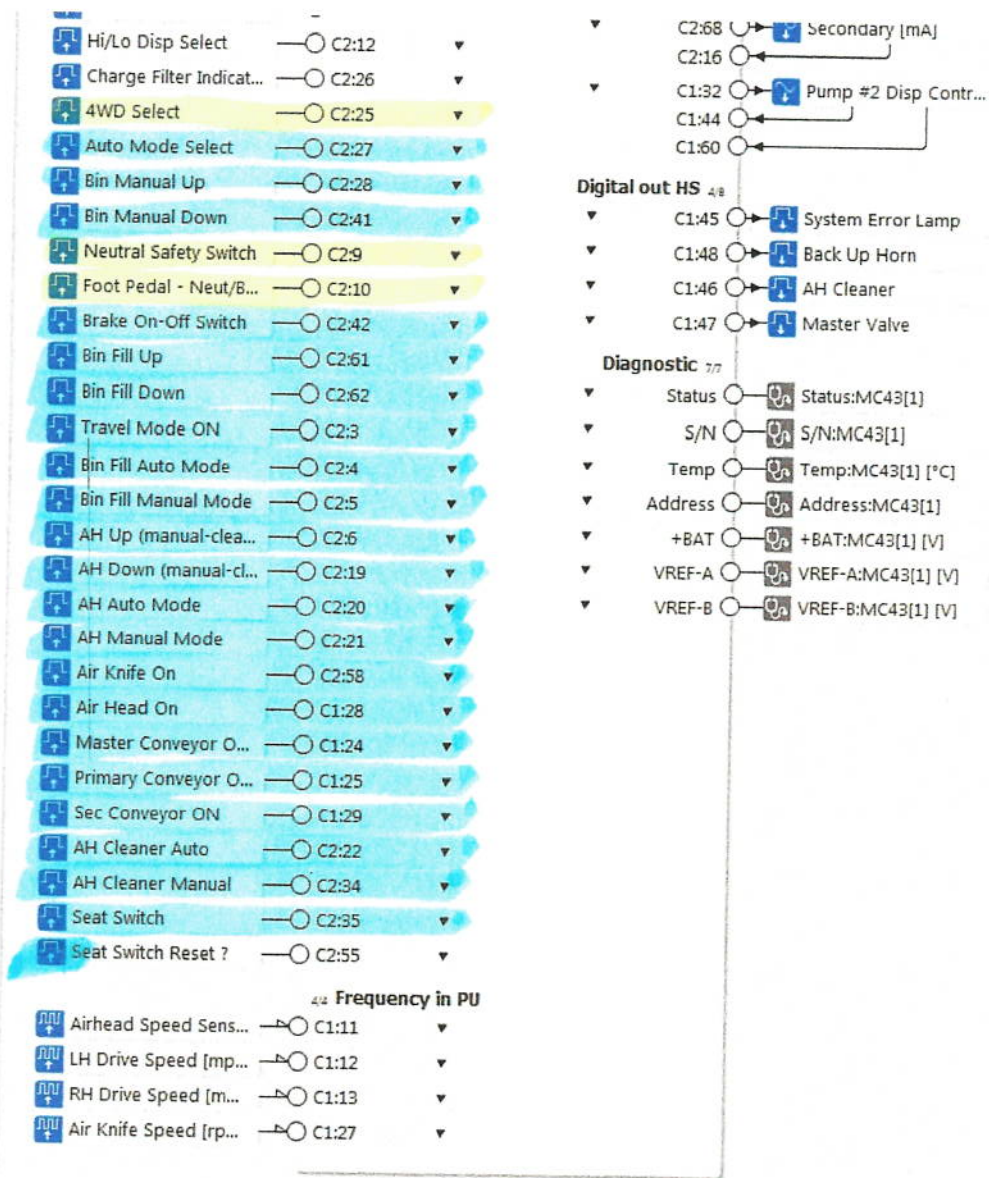
Blue → Cab  
 yellow → P.D.P.

### 1.2. MC43 Outside

Module type: MC43

Module address: 1





Pin	Name	Channel	Description
C1:1	CAN-A-L		
C1:2	CAN-B-L		
C1:3	CAN-C-L		
C1:4	ADDR-L		
C1:5	-		
C1:6	-		
C1:7	+VREF-A		
C1:8	VIN-A	Bin Level Sensor #1 [in]	
C1:9	VIN-B	Bin Level Sensor #2 [in]	
C1:10	VIN-C	Joystick Input [mV]	
C1:11	FIN-A	Airhead Speed Sensor [rpm]	
C1:12	FIN-B	LH Drive Speed [mph]	
C1:13	FIN-C	RH Drive Speed [mph]	

Pin	Name	Channel	Description
C1:14	COUT-A (HS)	Air Knife [mA]	
C1:15	-		
C1:16	COUT-C (HS)	Bin Level Control [mA]	%
C1:17	CAN-A-H		
C1:18	CAN-B-H		
C1:19	CAN-C-H		
C1:20	ADDR-H		
C1:21	-		
C1:22	-		
C1:23	-VREF		
C1:24	DIN-P	Master Conveyor ON	
C1:25	DIN-Q	Primary Conveyor ON	
C1:26	VIN-F	Motor Control Pressure [psi]	
C1:27	FIN-D	Air Knife Speed [rpm]	
C1:28	DIN-AQ	Air Head On	
C1:29	DIN-AR	Sec Conveyor ON	
C1:30	COUT-D (HS)	Motor Disp Control [mA]	
C1:31	COUT-E (HS)	Pump #1 Disp Control [mA]	
C1:32	COUT-F (HS)	Pump #2 Disp Control [mA]	
C1:33	ETHRD-		
C1:34	ETHTD-		
C1:35	-VREF		
C1:36	VIN-G	Pump A-Port Pressure [psi]	
C1:37	-		
C1:38	-		
C1:39	COUT-A (LS+)	Air Knife [mA]	
C1:40	-		
C1:41	COUT-C (LS+)	Bin Level Control [mA]	%
C1:42	COUT-D (LS+)	Motor Disp Control [mA]	
C1:43	COUT-E (LS+)	Pump #1 Disp Control [mA]	
C1:44	COUT-F (LS+)	Pump #2 Disp Control [mA]	
C1:45	DOUT-A (HS)	System Error Lamp	
C1:46	DOUT-B (HS)	AH Cleaner	
C1:47	DOUT-C (HS)	Master Valve	
C1:48	DOUT-D (HS)	Back Up Horn	
C1:49	ETHRD+		
C1:50	ETHTD+		
C1:51	+VREF-B		
C1:52	VIN-H	Pump B-Port Pressure [psi]	
C1:53	-		
C1:54	-		
C1:55	-		
C1:56	-		
C1:57	COUT-C (LS-)	Bin Level Control [mA]	%
C1:58	-		
C1:59	COUT-E (LS-)	Pump #1 Disp Control [mA]	
C1:60	COUT-F (LS-)	Pump #2 Disp Control [mA]	
C1:61	-		

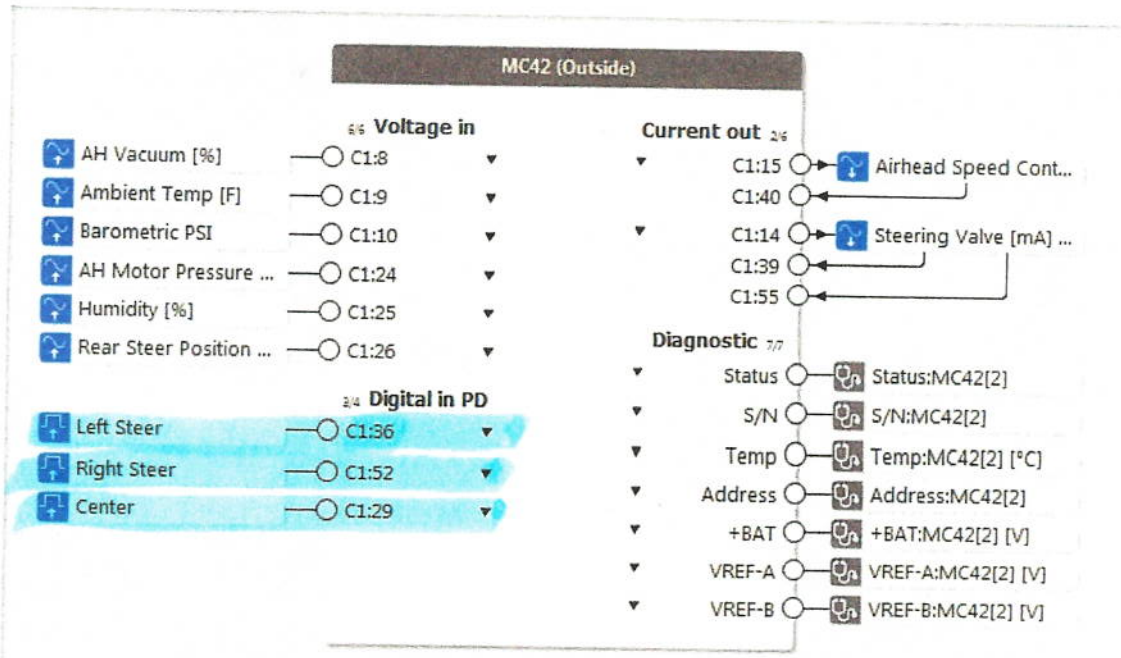
Pin	Name	Channel	Description
C1:62	-		
C1:63	-		
C1:64	-		
C1:65	+BAT		
C1:66	-BAT		
C2:1	CAN-D-L		
C2:2	CAN-E-L		
C2:3	DIN-U	Travel Mode ON	
C2:4	DIN-V	Bin Fill Auto Mode	
C2:5	DIN-W	Bin Fill Manual Mode	
C2:6	DIN-X	AH Up (manual-cleaner)	
C2:7	+VREF-A		
C2:8	+VREF-A		
C2:9	DIN-A	Neutral Safety Switch	
C2:10	DIN-B	Foot Pedal - Neut/Brake	
C2:11	DIN-C	Drive Press Switch	
C2:12	DIN-D	Hi/Lo Disp Select	
C2:13	-		
C2:14	COUT-H (LS+)	Right Primary [mA]	
C2:15	COUT-I (LS+)	Left Primary [mA]	
C2:16	COUT-J (LS+)	Secondary [mA]	
C2:17	CAN-D-H		
C2:18	CAN-E-H		
C2:19	DIN-Y	AH Down (manual-cleaner)	
C2:20	DIN-Z	AH Auto Mode	
C2:21	DIN-AA	AH Manual Mode	
C2:22	DIN-AB	AH Cleaner Auto	
C2:23	-VREF		
C2:24	-VREF		
C2:25	DIN-E	4WD Select	
C2:26	DIN-F	Charge Filter Indicator	
C2:27	DIN-G	Auto Mode Select	
C2:28	DIN-H	Bin Manual Up	
C2:29	-		
C2:30	-		
C2:31	-		
C2:32	-		
C2:33	-		
C2:34	DIN-AC	AH Cleaner Manual	
C2:35	DIN-AD	Seat Switch	
C2:36	VIN-S	Airhead Speed [%]	
C2:37	VIN-T	Left Prim. Speed [%]	
C2:38	VIN-U	Right Prim. Speed [%]	
C2:39	-VREF		
C2:40	-VREF		
C2:41	DIN-I	Bin Manual Down	
C2:42	DIN-J	Brake On-Off Switch	
C2:43	-		

Pin	Name	Channel	Description
C2:44	-		
C2:45	-		
C2:46	-		
C2:47	-		
C2:48	COUT-H (HS)	Right Primary [mA]	
C2:49	-		
C2:50	-		
C2:51	-		
C2:52	-		
C2:53	-		
C2:54	VIN-V	Sec. Speed [%]	
C2:55	DIN-AI	Seat Switch Reset ?	
C2:56	VIN-X	Air Knife Speed [%]	
C2:57	-		
C2:58	DIN-AL	Air Knife On	
C2:59	+VREF-B		
C2:60	+VREF-B		
C2:61	DIN-K	Bin Fill Up	
C2:62	DIN-L	Bin Fill Down	
C2:63	-		
C2:64	-		
C2:65	-		
C2:66	-		
C2:67	COUT-I (HS)	Left Primary [mA]	
C2:68	COUT-J (HS)	Secondary [mA]	
C2:69	-		
C2:70	-		
C2:71	-		
C2:72	-		
C2:73	+BAT		

### 1.3. MC42 (Outside)

Module type: MC42

Module address: 2



Pin	Name	Channel	Description
C1:1	CAN-A-L		
C1:2	CAN-B-L		
C1:3	CAN-C-L		
C1:4	ADDR-L		
C1:5	-		
C1:6	-		
C1:7	+VREF-A		
C1:8	VIN-A	AH Vacuum [%]	
C1:9	VIN-B	Ambient Temp [F]	
C1:10	VIN-C	Barometric PSI	
C1:11	-		
C1:12	-		
C1:13	-		
C1:14	COUT-A (HS)	Steering Valve [mA] [mA]	
C1:15	COUT-B (HS)	Airhead Speed Control [mA]	
C1:16	-		
C1:17	CAN-A-H		
C1:18	CAN-B-H		
C1:19	CAN-C-H		
C1:20	ADDR-H		
C1:21	-		
C1:22	-		
C1:23	-VREF		
C1:24	VIN-D	AH Motor Pressure [psi]	
C1:25	VIN-E	Humidity [%]	
C1:26	VIN-F	Rear Steer Position [%]	
C1:27	-		
C1:28	-		

Pin	Name	Channel	Description
C1:29	DIN-N	Center	
C1:30	-		
C1:31	-		
C1:32	-		
C1:33	ETHRD-		
C1:34	ETHTD-		
C1:35	-VREF		
C1:36	DIN-G	Left Steer	
C1:37	-		
C1:38	-		
C1:39	COUT-A (LS+)	Steering Valve [mA] [mA]	
C1:40	COUT-B (LS+)	Airhead Speed Control [mA]	
C1:41	-		
C1:42	-		
C1:43	-		
C1:44	-		
C1:45	-		
C1:46	-		
C1:47	-		
C1:48	-		
C1:49	ETHRD+		
C1:50	ETHTD+		
C1:51	+VREF-B		
C1:52	DIN-H	Right Steer	
C1:53	-		
C1:54	-		
C1:55	COUT-A (LS-)	Steering Valve [mA] [mA]	
C1:56	-		
C1:57	-		
C1:58	-		
C1:59	-		
C1:60	-		
C1:61	-		
C1:62	-		
C1:63	-		
C1:64	-		
C1:65	+BAT		
C1:66	-BAT		

#### 1.4. Airhead Level [226]

Module type: J1939

Module address: 0



GRAY TERMINATION STRIP				
T	COLOR	NUMBER	DISCRIPTION	X
1	Yellow	A	Can-A Hi	
2	green	A	Can-A LO	
3	Gray	B	Can-B Hi	
4	Black	B	Can-B LO	
5	Blue	C	Can-C Hi	
6	white	C	Can-C LO	
7		C1:4	Address tag MC43 (1T)	
8		C1:20	Address tag MC43 (1T)	
9		C1:4	Address tag MC42 (2T)	X
10		C1:20	Address tag MC42 (2T)	X
11				
12				
13			MC43 Power 25 A C2MC43	
14			MC43 Power 25 A C1MC43	
15			MC42 Power 25 A C1MC42	X
16			Sensor +12v Power 10 A FwC	
17				
18				
19				
20				

**IQAN HARNESS PANEL PLUG #9**

*yellow*

PIN #	COLOR	NUMBER	DISCRIPTION	T
1	RED	13	ST87 IGNITION TERMINAL	1
2	RED	015	TO SMX SWITCH - "COM" / N.O. ON SMXRED	2
3	ORANGE	144	NUTRAL SWITCH TO RELAYS <i>C2:9</i>	3
4	BLACK	*01	4X4 FROM HOLDING RELAYS <i>C2:25</i>	4
5	YELLOW	*089	MASTER ON FROM IQAN <i>C1:46</i>	5
6	BLUE	260	AH CLEANER FROM IQAN <i>C2:49</i>	6
7	WHITE	270	AH CLEANER FROM IQAN <i>C2:50</i>	7
8	YELLOW	*001	REAR STEERING POSION <i>C1:26 (42)</i>	8
9	BLUE	*06	BACK-UP BEEPER FROM IQAN <i>C1:48</i>	9
10	RED	*0015	SIGNAL FROM BRAKE PRESSURE SWITCH TO IQAN	10
11	WHITE		<del>EXTRA</del> <i>Red 21? Radio Memory Cab</i>	11
12	WHITE		EXTRA	12

*C2:10*

*C2:11*

*X  
X  
X  
X  
X  
X  
X  
X  
X  
X  
X  
X*

**CAB CORNER PLUG #3 TO IQAN**

*Black 1-47*

**47-PIN CONNECTOR**

PIN #	COLOR	NUMBER	DISCRIPTION	T
1	BLACK	1	C1:1 -BAT TO MD3	1
2	YELLOW	A	C1:11 CAN-A-HI	2
3	GREEN	A	C1:2 CAN-A-LO	3
4	ORANGE	7	C1:7 +RTC	4
5	RED	12	C1:12 +BAT TO MD3	5
6	WHITE	6	EXTRA	6
7	<del>BLUE</del>	B	C1:10 CAN-B-HI <i>gray</i>	7
8	<del>GRAY</del>	B	C1:3 CAN-B-LO <i>Black</i>	8
9	<del>BROWN</del>	C	C1:9 CAN-C-HI <i>Blue</i>	9
10	<del>BLACK</del>	C	C1:4 CAN-C-LO <i>white</i>	10
11	WHITE	11	EXTRA	11
12	WHITE	12	EXTRA	12
13			C1:10 JOYSTICK INPUT TO MC43	13
14	ORANGE	*090	C1:24 MASTER CONVEYOR ON TO MC43	14
15	WHITE	6	C1:25 PRIMARY ON	15
16	BLACK	16	C1:28 AIR HEAD ON TO MC43	16
17	BLACK	6	C1:29 SECONDARY ON TO MC43	17
18	WHITE	41	C2:3 TRAVLE MODE TO MC43	18
19	RED	75	C2:4 BIN FILL AUTO TO MC43	19
20	BLUE	26	C2:6 MANUAL AIR HEAD CLEANER TO MC43	20
21	BLACK	*012	C2:12 LO RANGE TO MC43	21
22	WHITE	27	C2:19 MANUAL AIR HEAD CLEANER TO MC43	22
23	PURPLE	28	C2:22 AUTO AIR HEAD CLEANER TO MC43	23
24	BLUE	71	C2:28 MANUAL BIN UP TO MC43	24
25	BLACK	901	C2:35 SEAT SWITCH TO MC43	25
26	ORANGE	*03	C2:37 LEFT PRIMARY POT TO MC43	26
27	YELLOW	*04	C2:38 RIGHT PRIMARY POT TO MC43	27
28	ORANGE	72	C2:41 MANUAL BIN DOWN TO MC43	28
29	BLACK	*0017	C2:42 BRAKE SWITCH TO MC43	29
30	BROWN	*05	C2:54 SECONDARY POT TO MC43	30
31	WHITE	*01	C2:56 AIR KNIFE POT TO MC43	31
32	WHITE	16	C2:58 AIR KNIFE ON TO MC43	32
33	BLUE	55	C1:28 LEFT STEER TO MC42	33
34	BLUE		*+5V POWER	34

*X*

35	PURPLE	83	C1:29 CENTERING TO MC42	35	X
36	BLACK	*02	C1:36 AIRHEAD POT TO MC42	36	
37	ORANGE	56	C1:52 RIGHT STEER TO MC42	37	
38	BLUE		*+5V POWER	38	
39	BLACK	902	*+12V POWER TO SEAT SWITCH '	39	
40				40	
41				41	
42				42	
43				43	
44				44	
45				45	
46				46	
47				47	

green

GD SENSORS				
PIN #	COLOR	NUMBER	DISCRIPTION	T
A	ORANGE		LEFT SPEED SENSOR SIG	13
B	PURPLE		RIGHT SPEED SENSOR SIG	14
C	YELLOW		MOTOR PRESSURE CONTROLE TRANSDUCER SIG	15
D	BLUE		PUMP A-PORT PRESSURE TRANSDUCER SIGNAL	16
E	GREEN		PUMP B-PORT PRESSURE TRANSDUCER SIGNAL	17
F	WHITE	42	MOTOR DISP CONTROL C1:42 OF MC43	18
G	BLACK	30	MOTOR DISP CONTROL C1:30 OF MC43 GROUND	19
H	RED	1	5V FOR MOTOR PRESSURE CONTROLE TRANSDU	20
J	BLACK	1	GROUND FOR TRANSDUCERS	21
K	RED	2	12V FOR LEFT SPEED SENSOR	22
L	BLACK	2	GROUND FOR SPEED SENSORS	23
M				24
N				25
O				
P				
Q				
R				
S				
T				
U				
V				
W				
X				

X  
 X  
 X  
 ||  
 ||  
 ||  
 ||

C1:12  
 C1:13  
 C1:26  
 C1:36  
 C1:52  
 C1:42  
 C1:30

Black output at yellow

T1	C1:7	+VRefA	—
T2	C1:23	-VRef	—
T3	C1:51	+VRefBB	—
T4	C1:35	-VRef	—
T5	C1:33	ETHRD	—
T6	C1:34	ETHL	—
T7	C1:49	ETHR +	—
T8	C1:50	ETHL +	—
T9	C1:45	Error Lamp	