

#07021

Seattle

4RPTW

07021

BEATTIE

8/28/2007

4RPTW

PLUG #1

PIN #

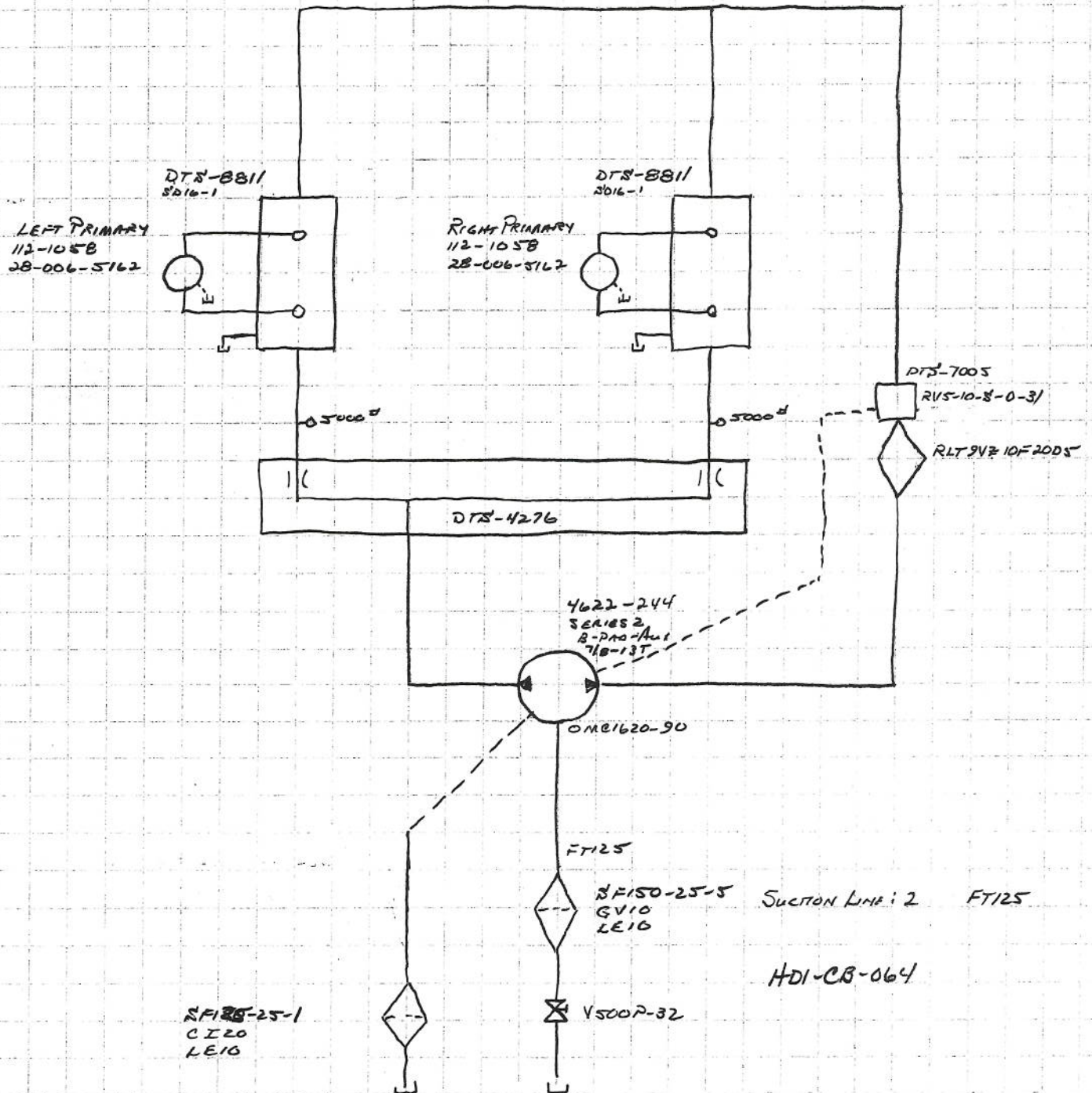
1	RED	2	COULTER MV5 VALVE
2	BLUE	3	LEVELING MV5 VALVE
3	ORANGE	4	SECONDARY RDRS112-30 ACTUATOR
4	YELLOW	5	FLASHERS
5	BROWN	6	SECONDARY REVERSING VALVE
6	RED	7	COULTER MV5 VALVE
7	BLUE	8	LEVELING MV5 VALVE
8	ORANGE	9	SECONDARY RDRS112-30 ACTUATOR
9			
10	ORANGE	14	LEFT PRIMARY REVERSING - FORWARD
11	BLACK	17	STEERING MV5 VALVE
12	RED	18	BLADE MV5 VALVE
13	ORANGE	19	LEFT PRIMARY REVERSING - REVERSE
14	BROWN	21	CROSS CONVEYOR SWITCH TO SV3-16 SOLENOID
15	BLACK	22	STEERING MV5 VALVE
16	RED	23	BLADE MV5 VALVE
17			
18			
19			
20	ORANGE	30	RIGHT PRIMARY REVERSING - FORWARD
21	GREEN	31	RIGHT PRIMARY REVERSING - REVERSE
22	RED	32	RIGHT SHAKER RDRS112-30 ACTUATOR
23	YELLOW	33	RIGHT SHAKER RDRS112-30 ACTUATOR
24			
25			
26			
27			
28			
29	BELDEN	8762	CLEAR TO PIN "C" COIL #2 - GREEN FROM KAR-TECH CONTROLLER
30	BELDEN	8762	BLACK TO PIN "D" COIL #2 TO PANEL GROUND
31			
32			
33			
34			
35			
36			
37			

3 - PIN PLUG

PIN #	1	RED	+ 12VDC POWER SUPPLY	8 AWG
	2	BLACK	- GROUND	8 AWG
	3			
PIN #	1	RED	+ 12VDC POWER TO COOLER FANS	10 AWG
	2	BLACK	- PANEL GROUND TO FRAME GROUND	10 AWG
	3			

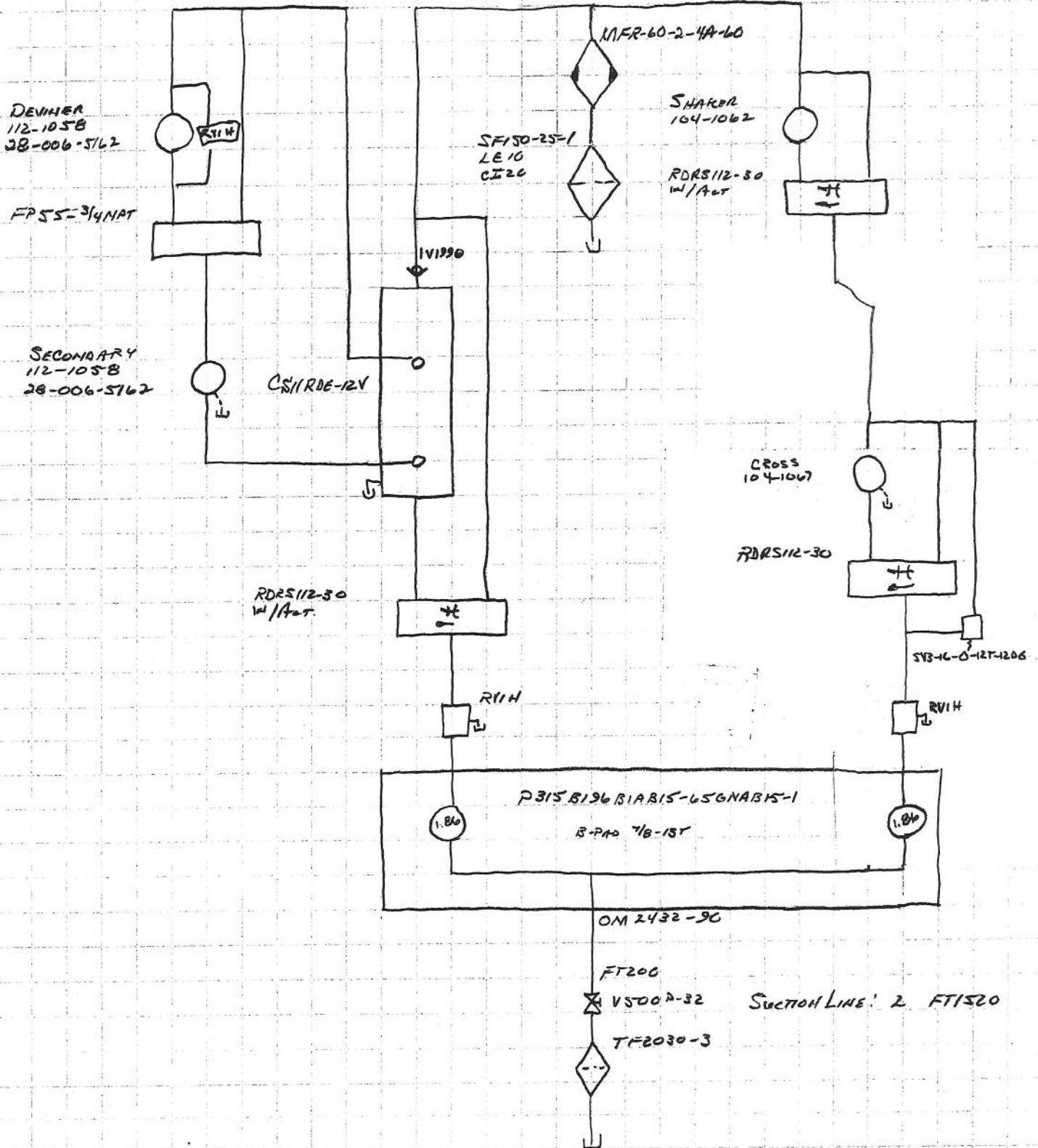
PULL TYPE VIBROPOWER

8/24/07
#07021
BEATTIE
4RPTW



PULL TYPE WINDROWER

8/24/07
 1507021
 BEATTIE
 4RPTW



PRACTICE WIRING

B/24107
#07021
SEATTLE
HRPTW

