

15079

Mortenson

4RSPH W65" AH



"OUR PEOPLE CARE MORE"

Medler Electric Company

An Employee Owned Company

Wholesale Electrical Distributor

Web Site: www.medlerelectric.com

Corporate Office
Alma, MI 48801
800-229-5740

Alma Branch
800-322-9089

Bad Axe, MI
800-968-1466

Battle Creek, MI
800-632-1425

Bay City, MI
800-322-4818

Big Rapids, MI
800-442-2603

Caro, MI
800-968-0824

Lansing, MI
800-589-9416

Lapeer, MI
800-968-3013

Ludington, MI
800-511-2150

Midland, MI
800-968-7202

Mt. Pleasant, MI
800-221-0289

Port Huron, MI
800-968-4488

Traverse City, MI
800-632-1751

West Branch, MI
800-322-0203

MARTINSON 15079

~~2-8"~~ BATTERY CABLE

2-8" 3/8 RED

2-8" 3/8 BLACK

1-42" 3/8-1/2 BLACK

1-32" 3/8-1/2 BLACK

~~1-40"~~ 3/8-1/2-2 RED

~~1-48"~~ 3/8-3/8 RED

1-36" 3/8-1/2 BLACK

1-45" 3/8-1/2 BLACK

1-40" 3/8-3/8 RED

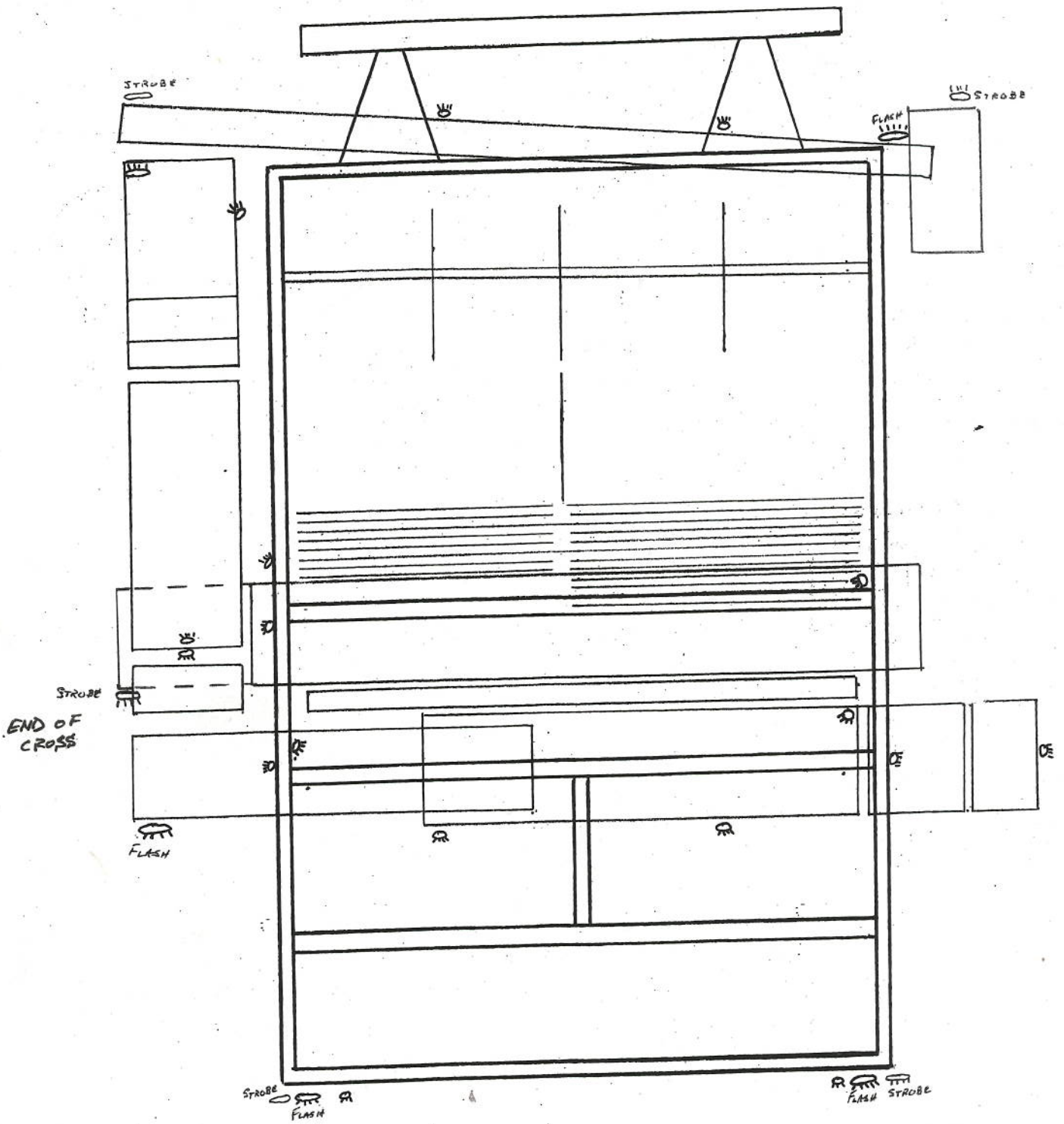
1-48" 3/8-3/8 RED

1-44" 3/8-1/2 RED



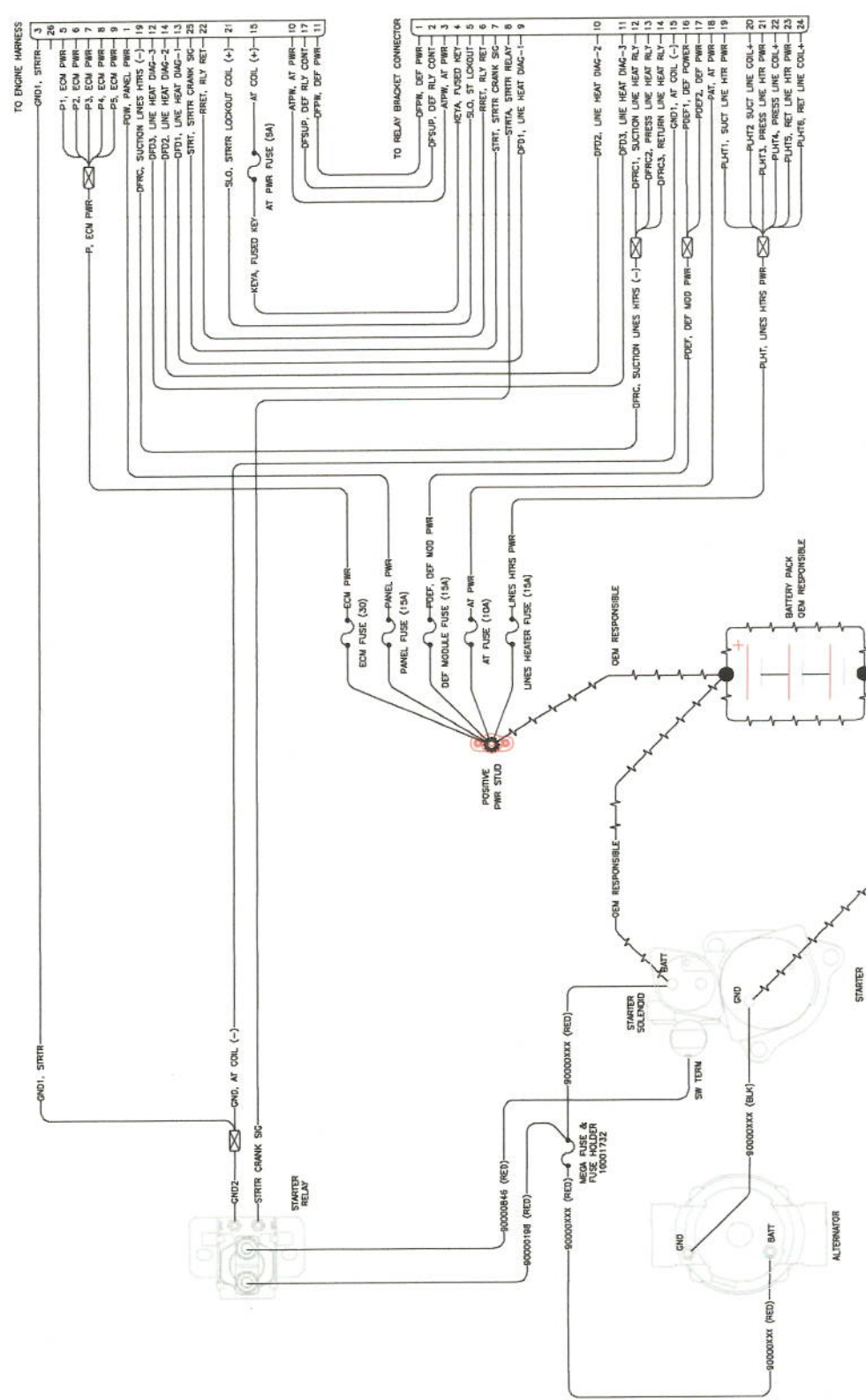
SQUARE D

by Schneider Electric



DRAWING NUMBER
99000722

REVISION		CHANGE		BY	CHK
REV	DATE				
0	08/07/15	RELEASE TO PROTOTYPE		DIED	1008208
1	03/14/15	RELEASE TO PRODUCTION		DIED	R13181 DRC



DO NOT SCALE PRINT

THIS DRAWING/DATA FILE AND THE INFORMATION SHOWN THEREON IS CONFIDENTIAL AND UNCLASSIFIED TO THE EXTENT OF ANY DISCLOSURE TO OTHERS, OR REPRODUCED BY ANY MEANS, ELECTRONIC OR MECHANICAL, WITHOUT WRITTEN CONSENT OF CUMMINS POWER PRODUCTS.

RELEASE PHASE:		MATERIAL:	
REV	DATE	REV	DATE
DIED	08/07/15	AS INOKATED	
DRC	03/15/15		
REF. DRAWING NO.:		NEW HUDSON, MICHIGAN	
REF. DRAWING STANDARDS: ANSI Y14.2M, ISO 8101		NEW HUDSON, MICHIGAN	
CUMMINS POWER PRODUCTS		CUMMINS POWER PRODUCTS	
SCHEMATIC, HIGH CURRENT		SCHEMATIC, HIGH CURRENT	
WIRING W/O GRID HEATER		WIRING W/O GRID HEATER	
SHEET 1 OF 1		SHEET 1 OF 1	
99000722		99000722	

TO 'EA OPTION GROUND' - 900000XX (BLK) - GEM RESPONSIBLE

NEGATIVE GND STUD

15079

APRIL 23, 2015 - #15078 MORTENSEN BROS. APRIL 23, 2015

0 0 0 0 0 0 0 0 0 0

PRIMARY SECONDARY AIRHEAD AIRHEAD BRAKE STEERING TRASH FAN GROUND GROUND
CHARGE CHARGE CHARGE CHARGE CHARGE CHARGE DRIVE DRIVE

600# 600# 10,000# 600# ~~600#~~ 3,000# 5,000# 10,000# 600#

1000 #

0 0 0 0 0 0 0 0 0 0

LEFT RIGHT SECONDARY LEFT RIGHT RIGHT STAR AIRHEAD BIN FILL BIN
PRIMARY PRIMARY STAR TABLE STAR TABLE TABLE FEED UNLOAD

5,000# 5,000# 5,000# 3,000# 3,000# 3,000# 3,000# 3,000# 3,000# 3,000#

DISTRIBUTORS

MORTENSON

Thermo King
Fitting Hose Fitting

24 FT 1.

70R5091S

#12 Hose CAB/PUMP

#12 Hose To #10 Fitt
STR-ML Insert

112" 2.

70R4498S

#8 Hose Pump/ TOP COND

70R6598S

22 FT 3.

70R4496S

#6 Hose CAB/REC-DEYOR 70R4506S

72" 4.

70R4496S #6 Hose Bottom/ REC-DEYOR 70R4496S
painted numbers on Hose at 12 O-Clock



11 O-Clock



12 O-Clock