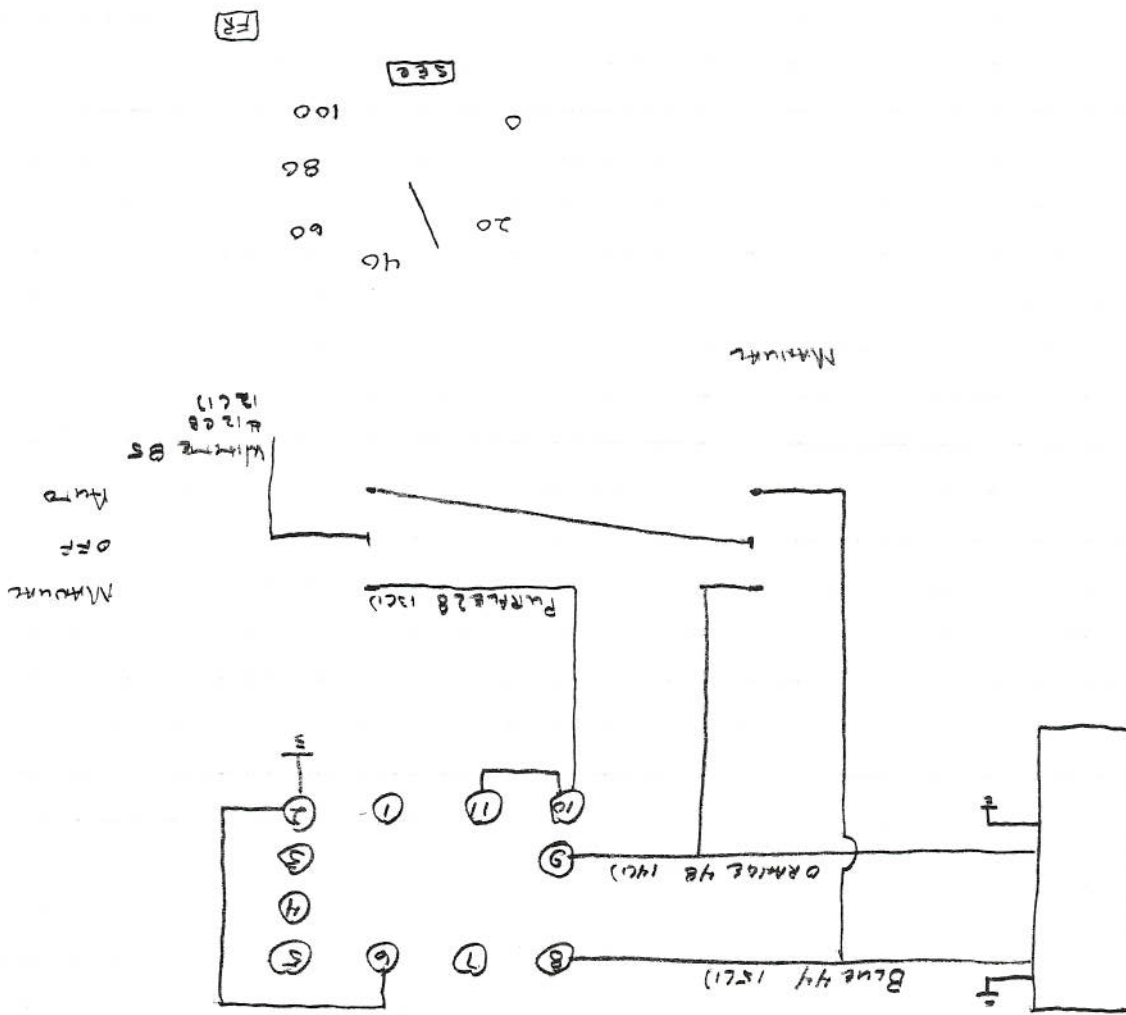
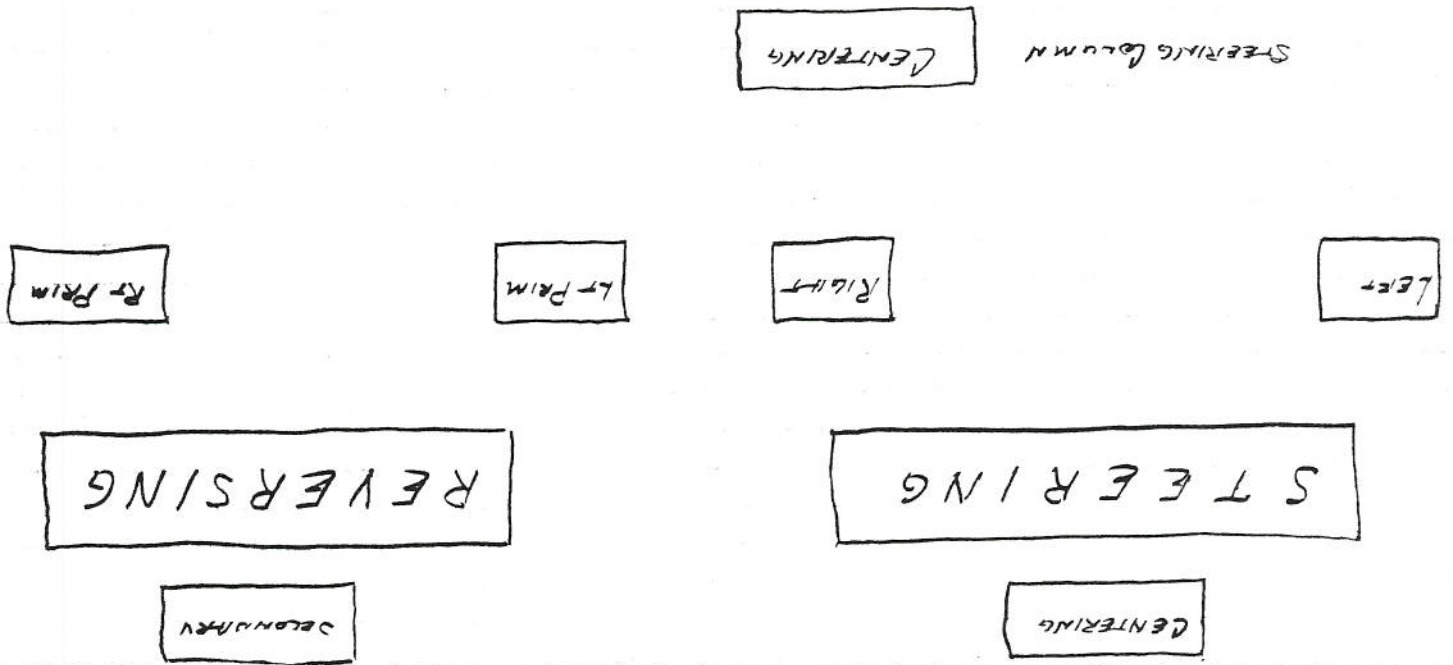


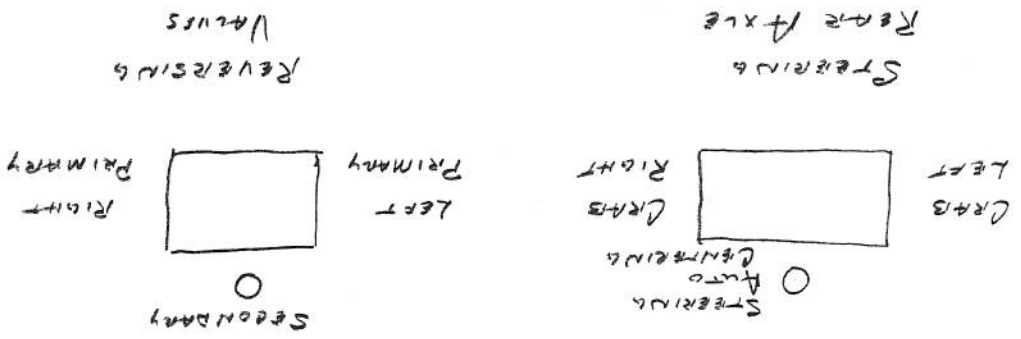
Air Filter Cleaner



FOOT PEDAL SWITCHES

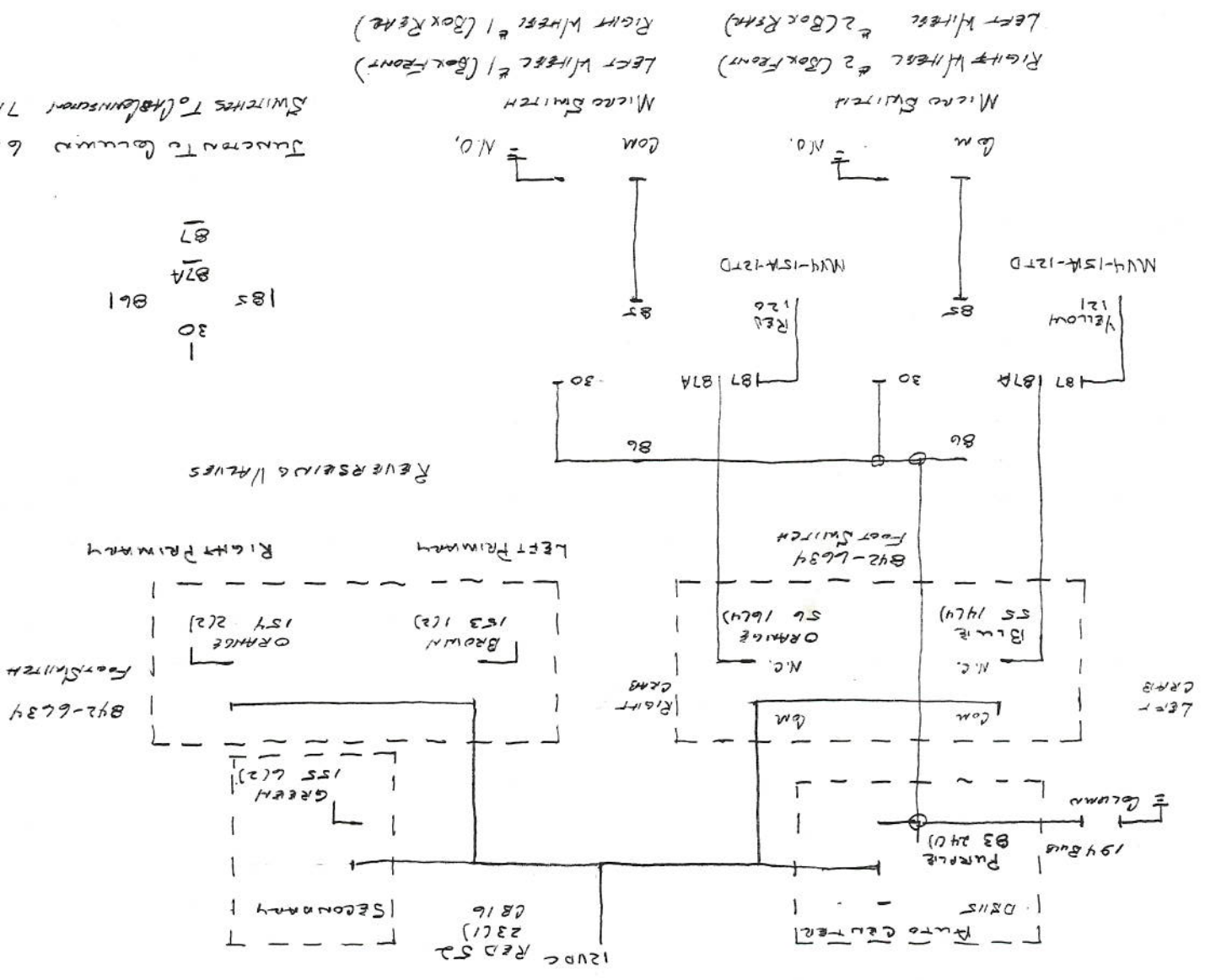


FOOT PEDAL SWITCHES



STEREING REAR AXLE

REVERSE & VALVES



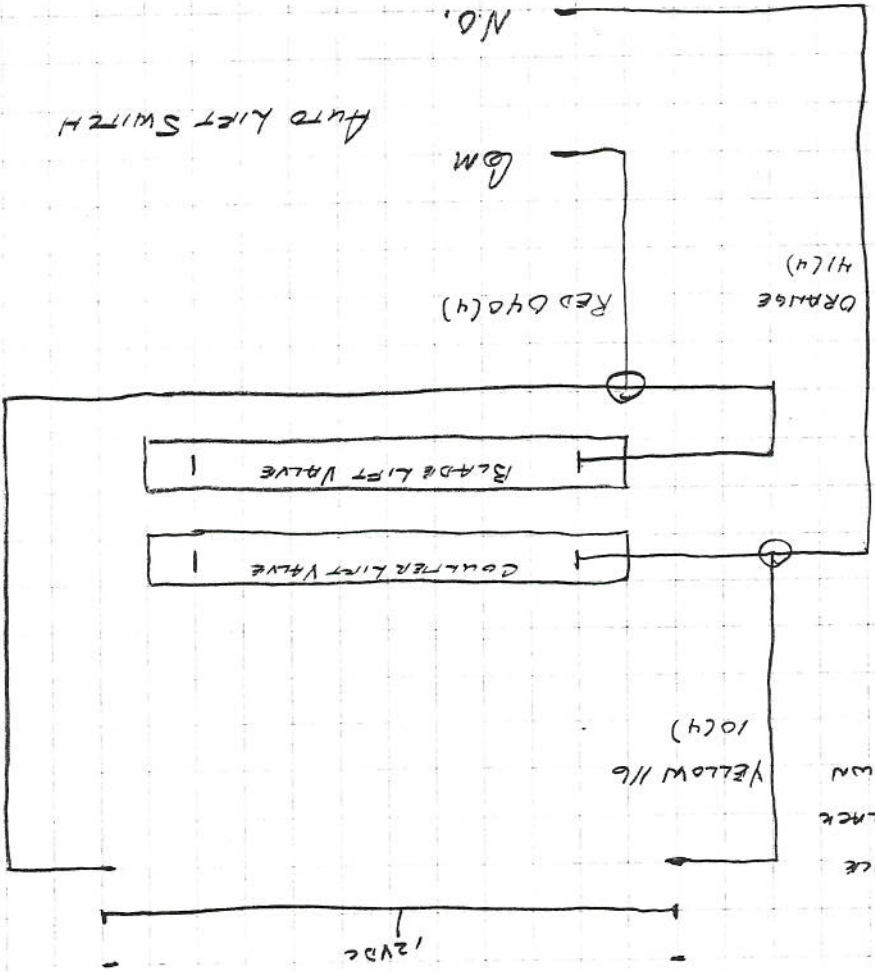
JUNCTION TO Column 6 FT
SWITCHES TO Habilitation 7 FT

- 1
- 30
- 87A
- 87
- 185
- 861

Automatic Counter Lift

Counter Switch

Counter Switch



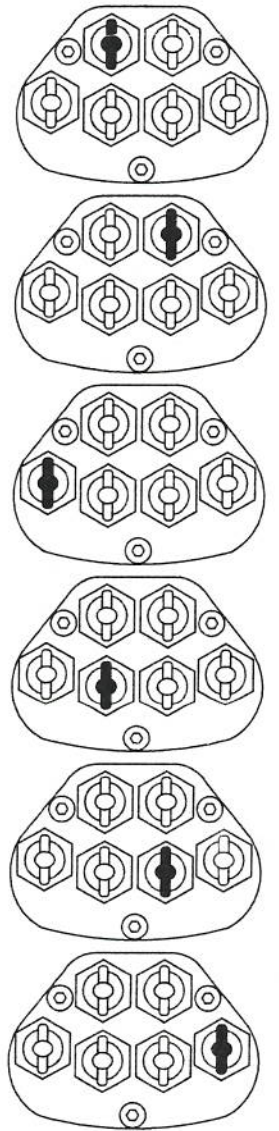
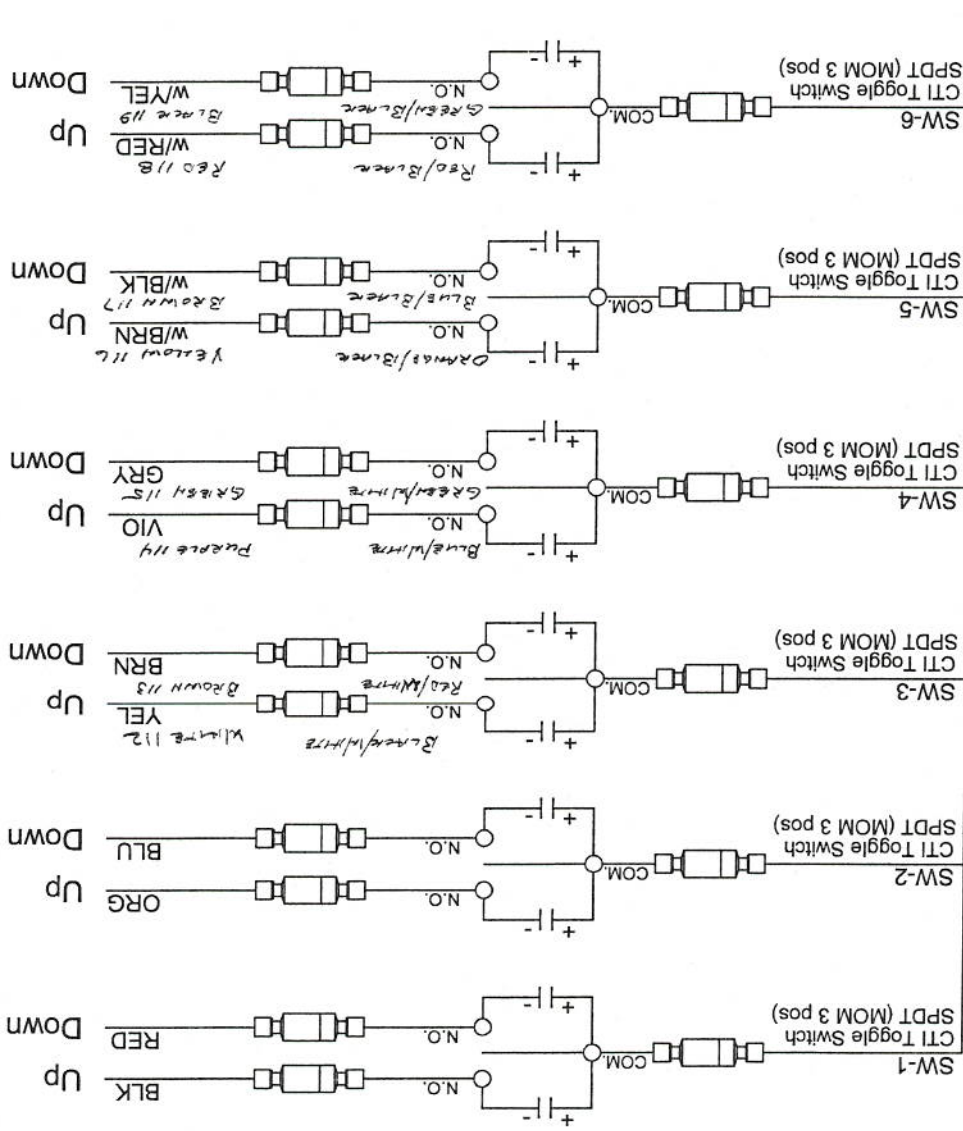
Green Handle
Red/Black
White/Red

Cylinder Handle
Orange/Black
White/Beige

www.cyber-tech.net		SCALE 1:1	D DOWERS	SHEET 1 OF 1
1.800.621.8754		SIZE	FSCM NO. 503-620-8580	REV
Cyber-Tech, Inc. P.O. Box 23801 Portland, Or 97281-3801		8901-Handy-Grip (6 Togg w/Boots)		
Schematic Diagram		DWC NO. 8901-RB-F6-R0-T0-S1-S-A0-01C DC		

CAUTION: Metal Handle MUST Be Grounded For Safe Operation!

Ground GRN
Common WHT (30 VDC 5 amp Max)



Note: 1-Cyber-Tech, Inc. Proposed Handy-Grip® wiring to be APPROVED by the customer prior to manufacture and installation for operator use.

ZONE	REV	DESCRIPTION	DATE	APPROVED
REVISIONS				

Model No 8901-RB 2003

LED DIGITAL TEMPERATURE GAUGE

PART NUMBERS TH8003, TH8007, AND TH8008

INTELLITRONIX CORP

13300 MADISON AVE.

LAKEWOOD, OHIO 44107

TECHNICAL QUESTIONS 216-521-9796

CONNECT THE BLACK WIRE TO A GOOD CHASSIS GROUND. THERE MUST BE A GOOD GROUND BETWEEN THE GAUGE AND THE TEMPERATURE SENDING UNIT.

CONNECT THE RED WIRE TO A FUSED ACCESSORY OR THE IGNITION SWITCH CIRCUIT.

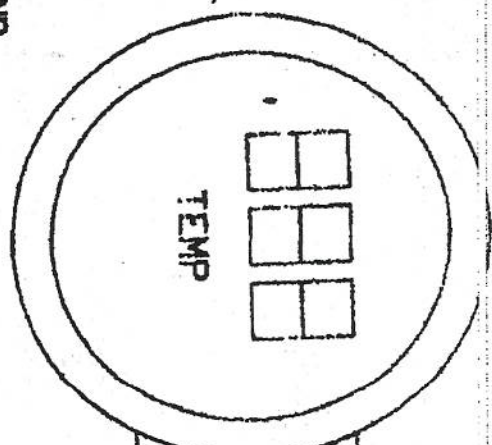
CONNECT THE BLUE WIRE TO THE TEMPERATURE SENDING UNIT.

FOR TRANSMISSION TEMPERATURE, YOU WILL NEED TO MOUNT THE TEMP SENDER IN PLACE OF THE DRAIN PLUG IN THE TRANSMISSION PAN OR YOU WILL NEED TO PURCHASE A T FITTING AND SPlice THE SENDER AND T FITTING INTO THE TRANSMISSION AND COOLING LINE THAT GOES TO THE RADIATOR, NOT THE RETURN LINE.

The purple/dimmer wire will cut the brightness by 50% when the wire receives +12 volts. If this wire is connected to the headlights, this will serve as the dimmer.

This feature was added so the gauges will not be distracting at night. If you do not want this feature, then you should connect the purple wire to ground for max brightness.

WATER TEMP WITH HIGH TEMP MEMORY RECALL ORDER PART NUMBER M9013
 TRANS TEMP WITH HIGH TEMP MEMORY RECALL ORDER PART NUMBER M9007
 OIL TEMP WITH HIGH TEMP MEMORY RECALL ORDER PART NUMBER MMS008



RED

BLACK

PURPLE

BLUE

RED - +12 VOLTS - Red 12VDC Reol2A

BLACK - GROUND - Green 437 16C3

PURPLE - DIMMER/+ 12 VOLTS TO DIM connect to headlights to activate

BLUE - TO TEMP SENDER / Green 425 (440) Brown 123 (36-2)

Do not use Teflon tape on the sending unit, because the sending unit housing needs to be grounded to operate properly.

INTELLITRONIX CORP.

TEMP GAUGE WIRING

Revision A

Sheet A

Sheet 1 of 1