

#12055

Ploven Riven

4 RPT H ^{w/}65" AH

4RPTH65LAH

| PLUG #1 | | KAR-TECH ENCLOSURE | BELDEN WIRE |
|---------|---------------|---|-------------|
| PIN # | | | |
| 1 | ORANGE | AIR HEAD CONTROLLER COMMAND SIGNAL PIN "2" | BELDEN 8468 |
| 2 | BLUE | AIR HEAD CONTROLLER COMMAND SIGNAL PIN "3" | BELDEN 8468 |
| 3 | BLACK | AIR HEAD CONTROLLER POWER SUPPLY PIN "4" | BELDEN 8468 |
| 4 | BLUE/WHITE | LEFT PRIMARY CONTROLLER COMMAND SIGNAL PIN " 6 " | BELDEN 8468 |
| 5 | GREEN/WHITE | LEFT PRIMARY CONTROLLER COMMAND SIGNAL PIN " 7 " | BELDEN 8468 |
| 6 | BLACK/WHITE | LEFT / RIGHT PRIMARY CONTROLLAER POWER SUPPLY PIN "8" | BELDEN 8468 |
| 7 | BLUE/BLACK | RIGHT PRIMARY CONTROLLER COMMAND SIGNAL PIN "10" | BELDEN 8468 |
| 8 | RED/BLACK | RIGHT PRIMARY CONTROLLER COMMAND SIGNAL PIN "11" | BELDEN 8468 |
| 9 | GREEN | SECONDARY CONTROLLER COMMAND SIGNAL PIN "14" | BELDEN 8468 |
| 10 | WHITE / BLACK | SECONDARY CONTROLLER COMMAND SIGNAL PIN "15" | BELDEN 8468 |
| 11 | GREEN / BLACK | SECONDARY CONTROLLER POWER SUPPLY PIN "16" | BELDEN 8468 |
| 12 | BLACK | 0020 KAR-TECH GROUND TO PANEL GROUND | P |

| PLUG #2 | | KAR-TECH ENCLOSURE | |
|---------|-------|---------------------------------|-----------------|
| PIN # | | | |
| 1 | RED | AIR HEAD COIL #1 - PIN "A" | BELDEN 9418 (1) |
| 2 | GREEN | LEFT PRIMARY COIL #1 - PIN "A" | BELDEN 9418 (1) |
| 3 | BLACK | RIGHT PRIMARY COIL #1 - PIN "A" | BELDEN 9418 (1) |
| 4 | WHITE | SECONDARY COIL #1 - PIN "A" | BELDEN 9418 (1) |
| 5 | BROWN | LEFT PRIMARY COIL #1 - PIN "B" | |
| 6 | BROWN | RIGHT PRIMARY COIL #1 PIN "B" | |
| 7 | BROWN | AIR HEAD COIL #1 - PIN "B" | |
| 8 | BROWN | SECONDARY COIL #1 - PIN "B" | |
| 9 | | | |
| 10 | | | |
| 11 | RED | AIR KNIFE COIL #1 - PIN "A" | BELDEN 8770 |
| 12 | BLACK | AIR KNIFE COIL #1 - PIN "B" | BELDEN 8770 |

| PLUG #3 | | | |
|---------|----------------|--|-------------|
| PIN # | | | |
| 1 | RED / WHITE | AIR KNIFE CONTROLLER COMMAND SIGNAL PIN "18" | BELDEN 8468 |
| 2 | ORANGE / BLACK | AIR KNIFE CONTROLLER COMMAND SIGNAL PIN "19" | BELDEN 8468 |
| 3 | RED | AIR KNIFE CONTROLLER POWER SUPPLY PIN "20" | BELDEN 8468 |
| 4 | | | |

| | |
|---------------|---|
| LEFT PRIMARY | 1 |
| RIGHT PRIMARY | 2 |
| AIR HEAD | 3 |
| SECONDARY | 4 |
| AIR KNIFE | 5 |

37200 Vine Street
 Willoughby, Ohio 44094-6346
 Phone: (440) 951-8222
 Fax: (440) 951-2089

PICK TICKET 268718

MECO
 McDonald Equipment Company

CUSTOMER NO.
 M00075

BILL TO:

ADVANCED FARM EQUIPMENT, LLC
 5773 CRYSTAL RD
 VESTABURG, MI 48891

SHIP TO:

ADVANCED FARM EQUIPMENT, LLC
 5773 CRYSTAL RD
 VESTABURG, MI 48891

PHONE#: 877/287-5711

DATE PRINTED: 06/10/15

PAGE 1

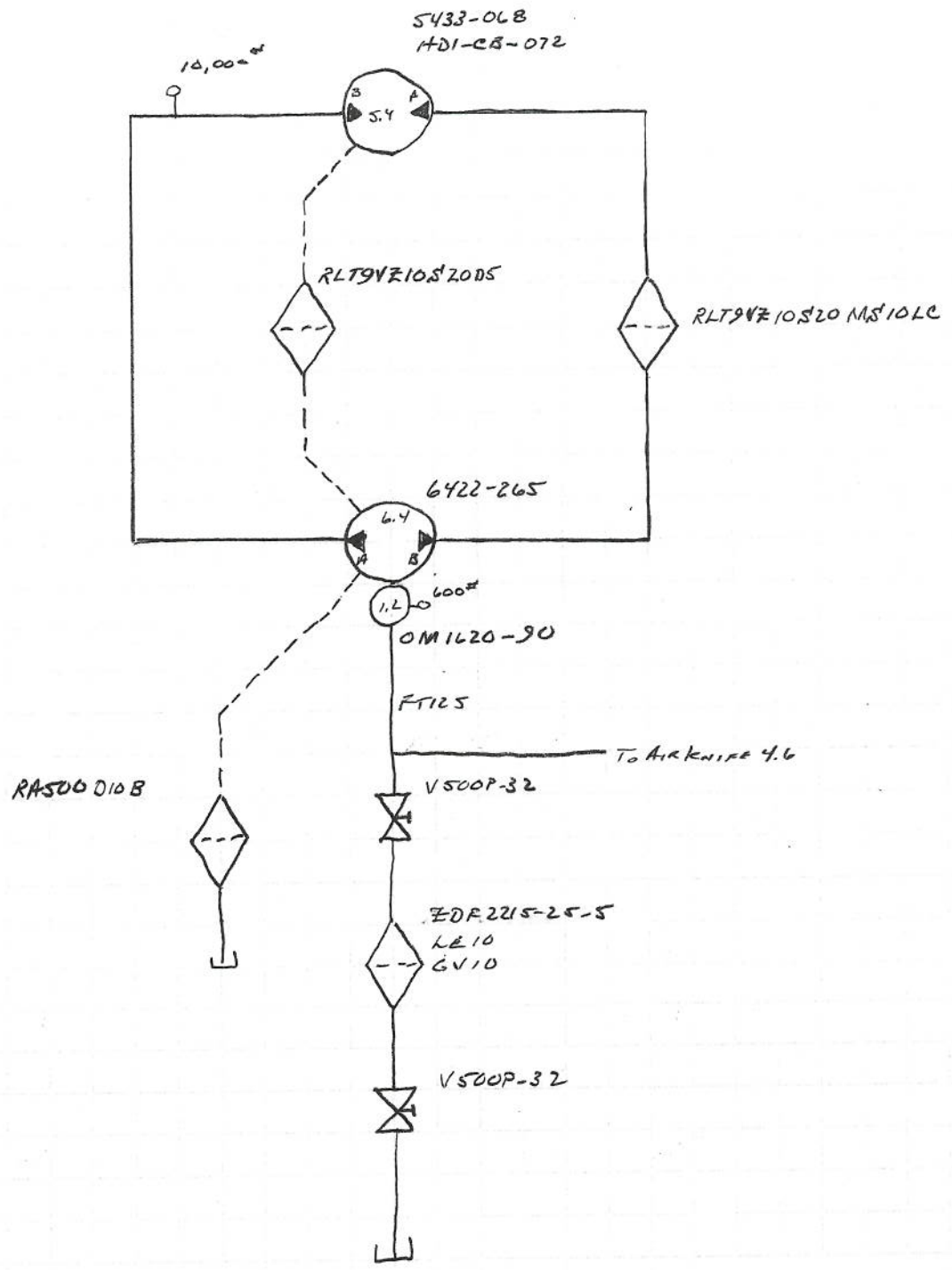
FAX#:

TIME PRINTED: 08:59:02

| DATE | | SHIP VIA | F.O.B. | TERMS | ORDER TYPE | |
|-----------------------|----------|-------------------|---|-------------|------------|-------------|
| 02/26/15 | | GTS/UNI PPD & ADD | | NET 30 DAYS | | |
| PURCHASE ORDER NUMBER | | ORDER DATE | SALESPERSON | ORDERED BY | REVISION # | |
| 052353 | | 02/26/15 | 702 | GREG/LYNN | 001 | |
| QUANTITY | | ITEM NUMBER | DESCRIPTION | UNIT PRICE | AMOUNT | |
| REQUIRED | SHIPPED | S/O | | | | |
| 1 | 1 | 0 | DC13084A | | | |
| | | | SCANIA 400HP/1500RPM PP T4F SHIP LOOSE EXHAUST SYSTEM AIR CLEANERS MANUALS HARNESS CONNECTORS | | | |
| | | | S/N 6876538 | | | |
| | | | #12055 | | | |
| | | | INSTALLED 6/2015 | | | |
| | | | MAX RAM 1500 | | | |
| Product Total | Discount | Freight | Taxable Amount | Tax | Misc. Amt. | ORDER TOTAL |

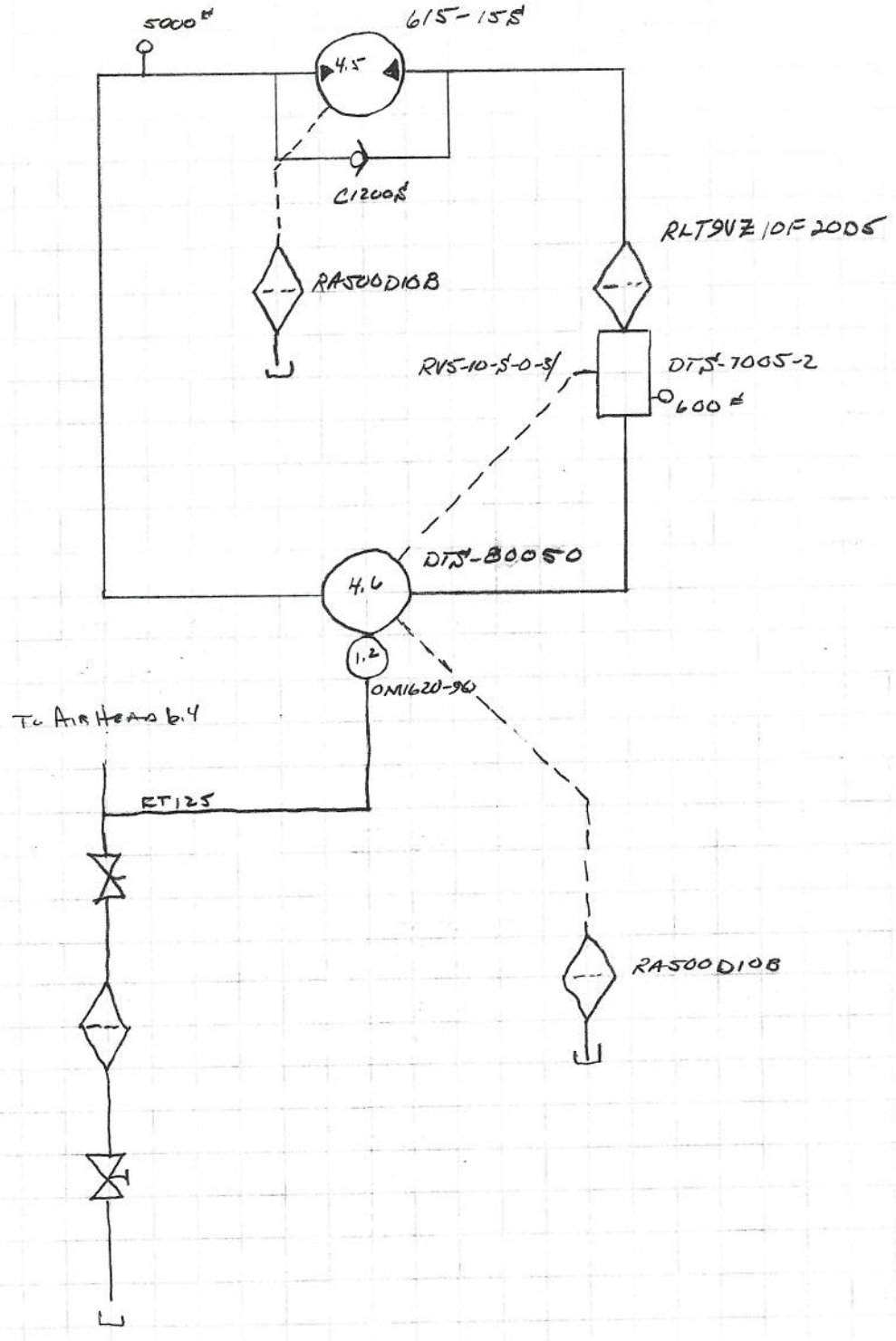
Terms and Conditions: Interest will be charged at the rate of 1 1/2% per month, other costs of collection after default. All orders received "As Ordered" and given. McDonald Equipment Company. All shortages and discrepancies must be reported t

4/3/12
#12055
Plover River
4RATH6SLAH

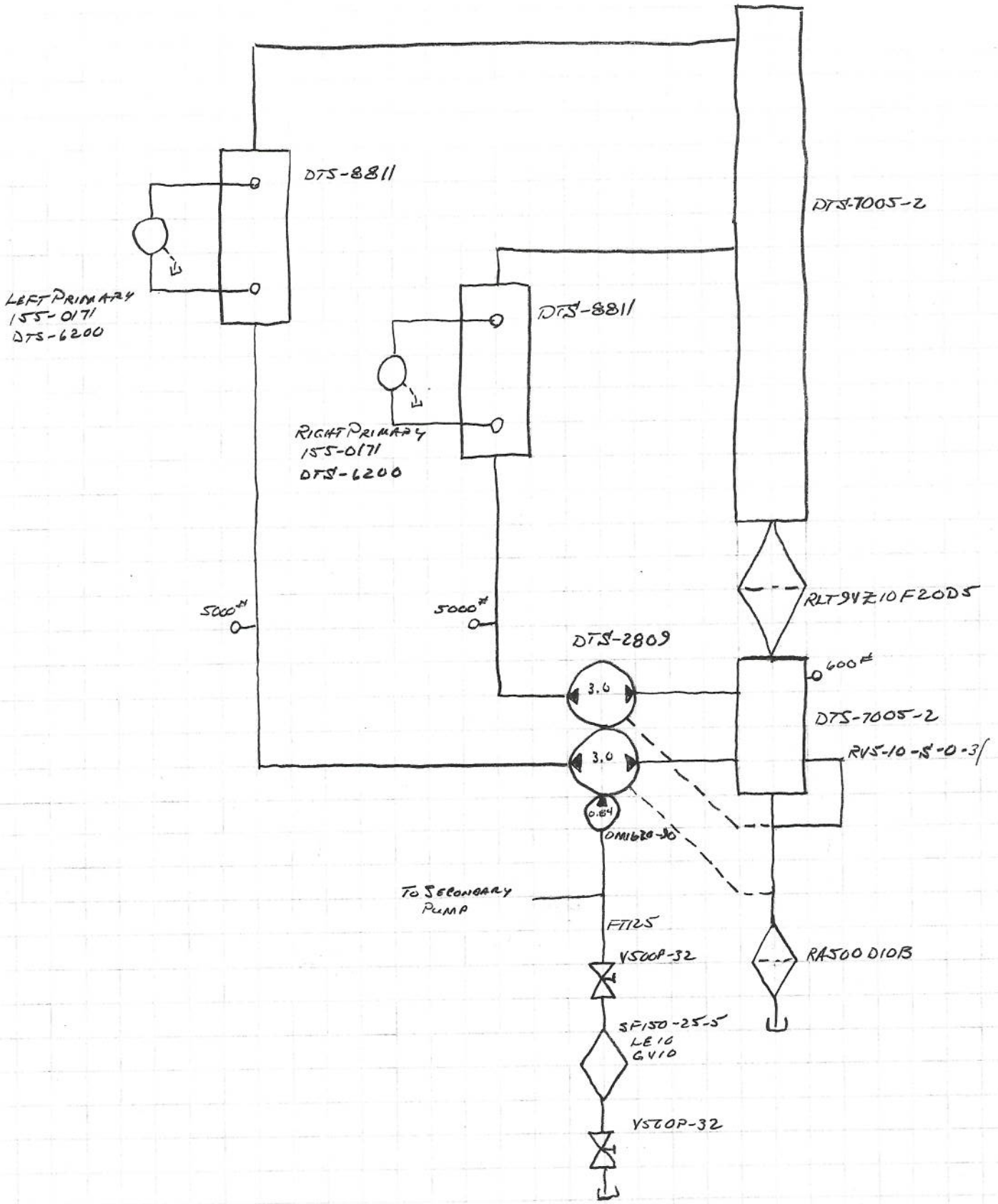


4/3/12
#12055
Plover River
4RATH6SLAH

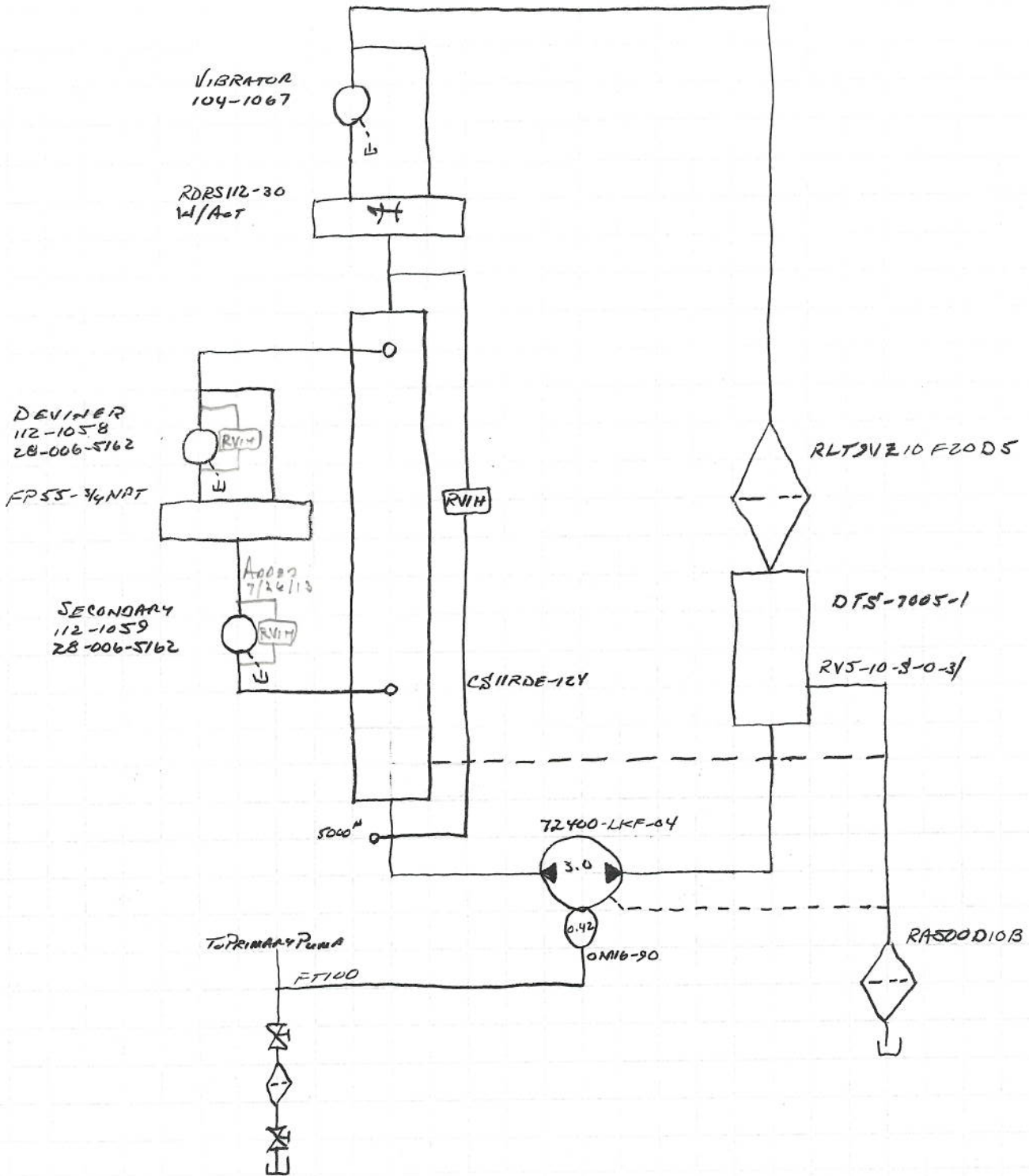
AIR KNIFE
PGM350A946VCEB17-98



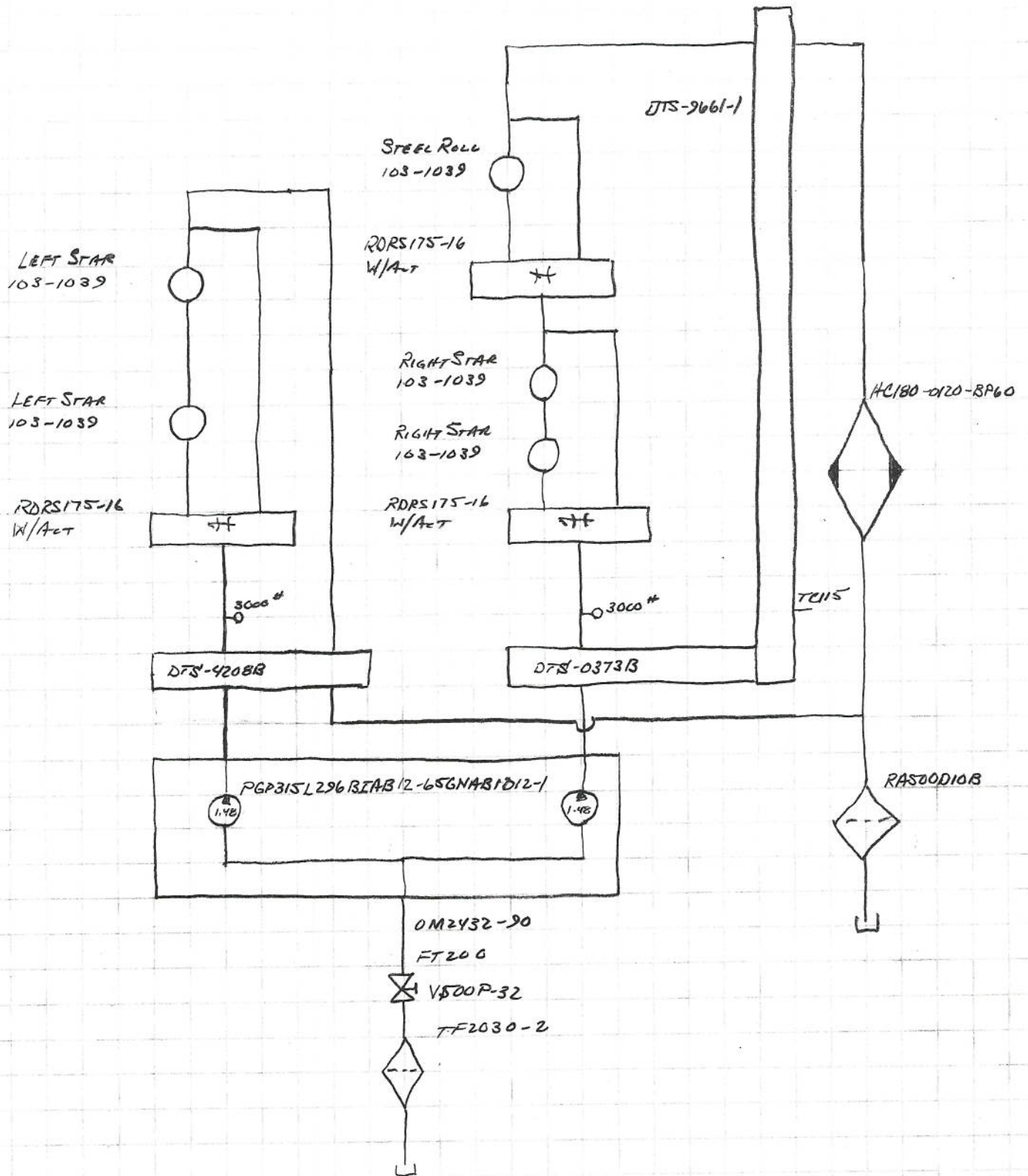
1/26/12
#12055
Plover River
YRATHLSLAH



1/26/12
#12055
Plover River
4RPTH65LAH

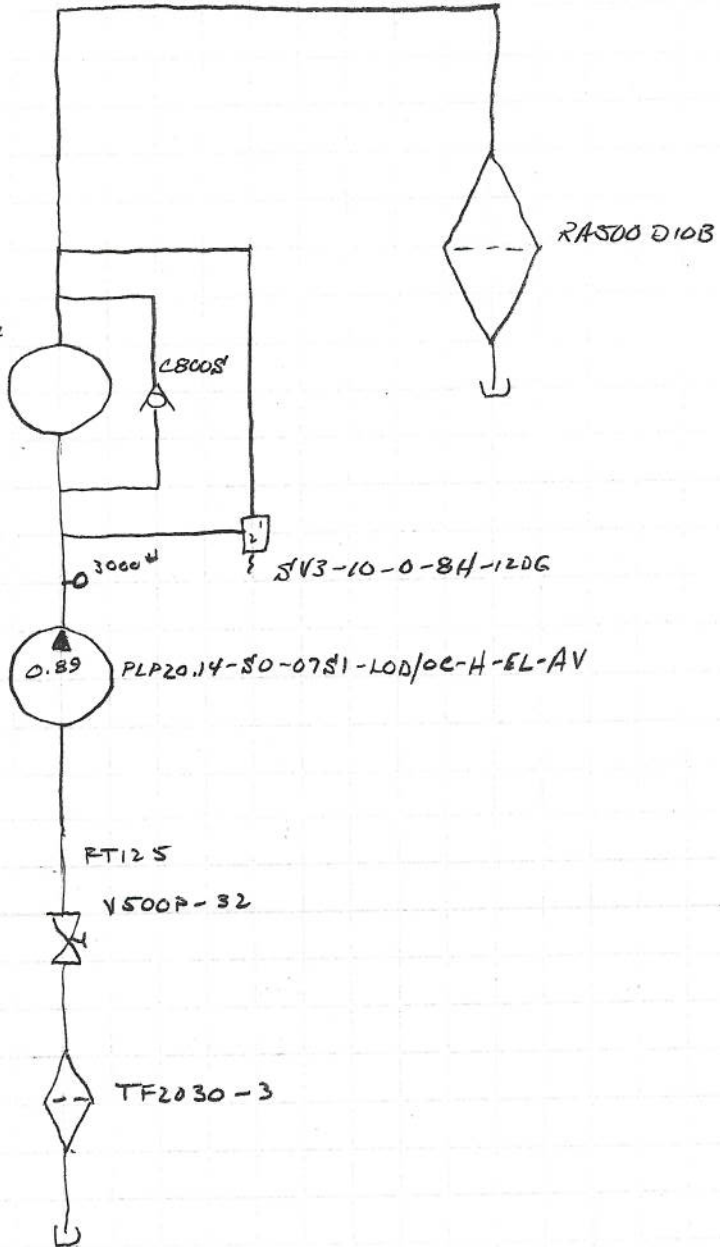


1/26/12
#12055
Plover River
HRATHSLAH

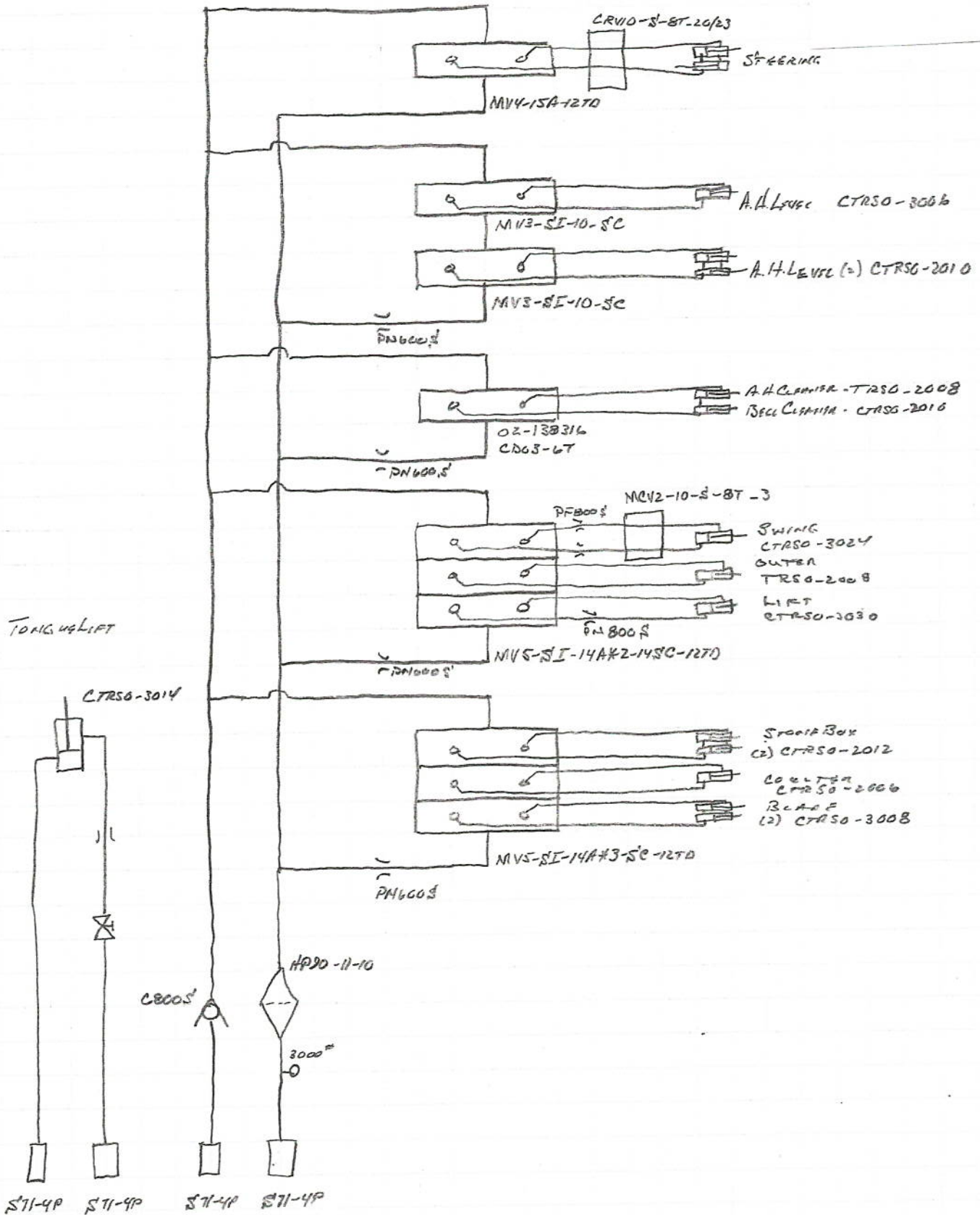


2/7/12
#12055
Plover River
4RPT#6SLAH

Cooler HC180-0120-0P60 Motor
#467,400,0056



1/26/12
 #12055
 POWER ROOM
 HRATH6SCAN



ADVANCED FARM EQUIPMENT

PLOVER RIVER

4RPTH65LAH

3/6/2012

| 30A 7 | 30A 6 | 30A 5 | 30A 4 | 30A 3 | 30A 2 | 30A 1 |
|----------|----------|----------|-----------|----------|-----------|---------------|
| TC115 | BACK UP | RT. REAR | RT. FRONT | LT. REAR | LT. FRONT | [AH FILTER |
| [RED | LIGHTS | LIGHTS | LIGHTS | LIGHTS | LIGHTS | [YELLOW 10 |
| [028 | RELAT | RELAY | RELAY | RELAY | RELAY | [CROSS PRESS |
| | [BROWN | [BLUE | [BLUE | [BLACK | | [SWITCH |
| | | | | | | [BLACK 6 |
| | | | | | | [HYD. LEVEL |
| | | | | | | [SWITCH |
| | | | | | | [YELLOW 25 |

HAZ. STAT

[YELLOW 53

[YELLOW 53

RELAYS

LT. FRONT

WORK LIGHTS

85 GRD.

86 BLACK 034

87 CB2

30 BLACK 340

LT. REAR

WORK LIGHTS

85 GRD.

86 BLACK 034

87 CB3

30 BLACK 34

RT. FRONT

WORK LIGHTS

85 GRD.

86 BLUE 036

87 CB4

30 BLUE 360

RT. REAR

WORK LIGHTS

85 GRD.

86 BLUE 036

87 CB5

30 BLUE 36 0

BACK UP

WORK LIGHTS

85 GRD.

86 BROWN 06

87 CB6

30 BROWN 6

77000

I I I
12V DC RED 13 CB 1-3
RED 11

77000

I I I
12V DC RED 13 CB 4-7

77000

I I I
12V DC RED 13 [RED 10AWG
[RED 10AWG
[TO CONTROL PANEL]

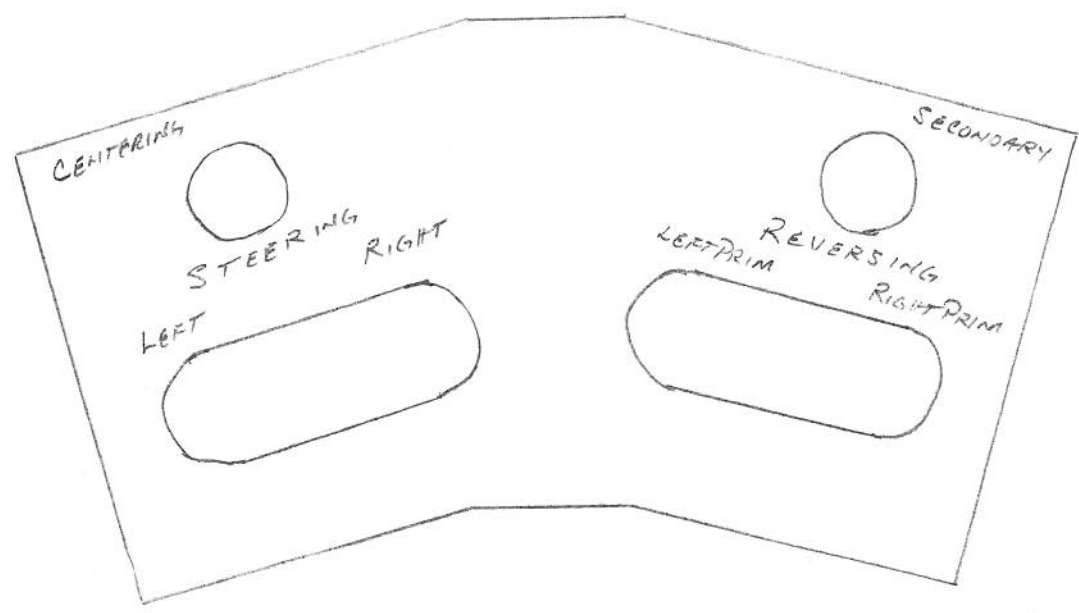
A.H. CLEAN. TIMER

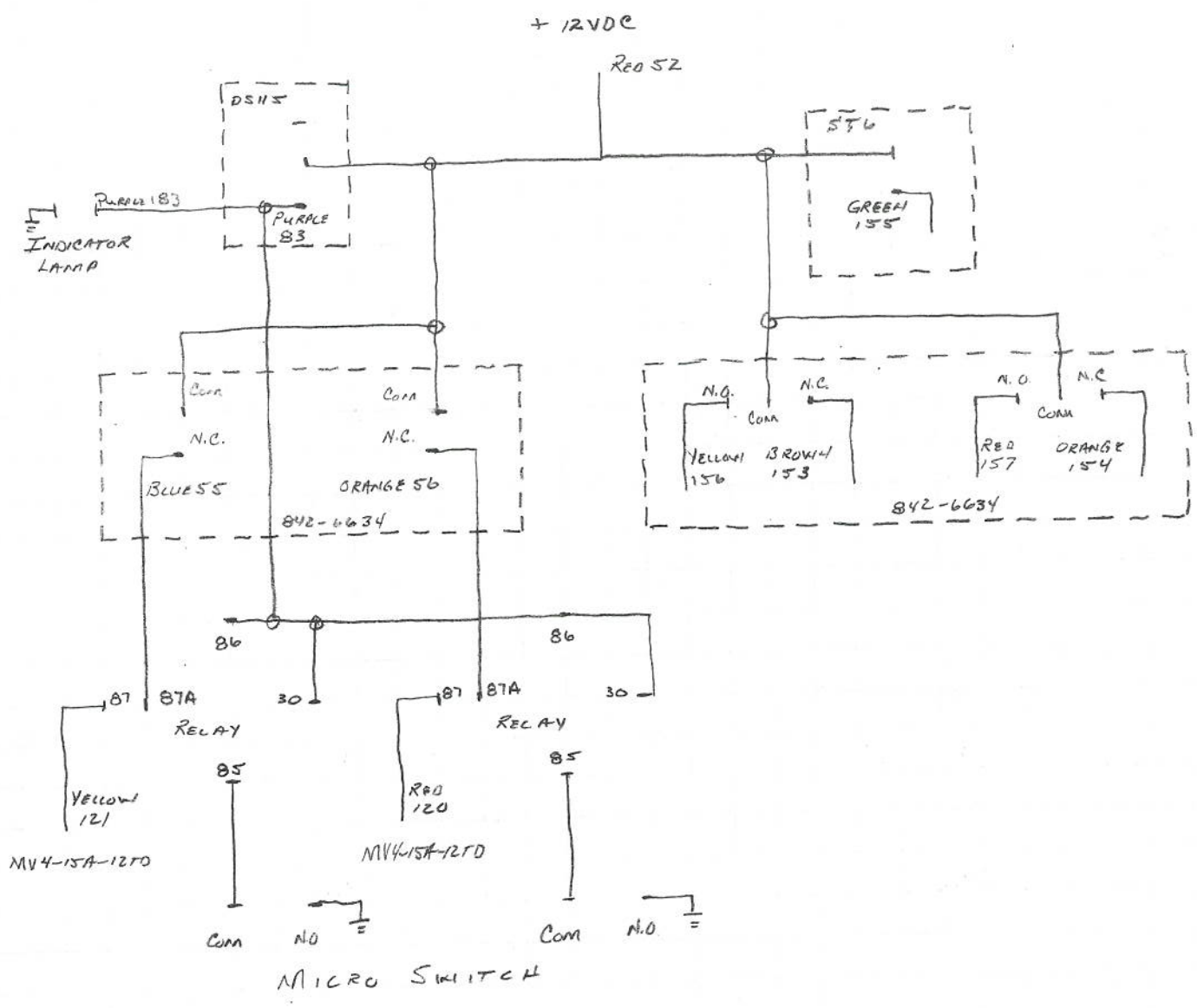
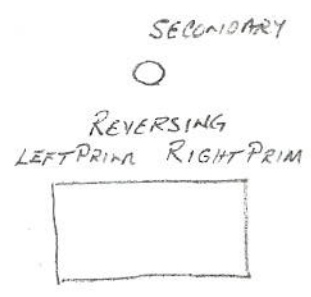
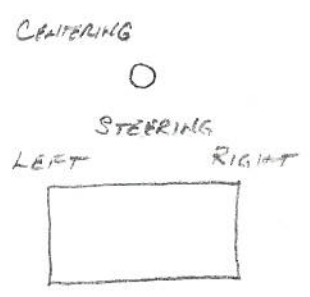
8 - BLUE 26 15 (1)
9 - WHITE 27 14 (1)
10/11 - PURPLE 28 13 (1)
6/2 - GROUND

GROUND WIRES

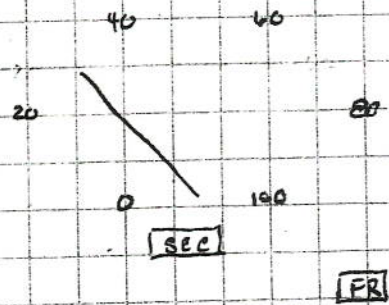
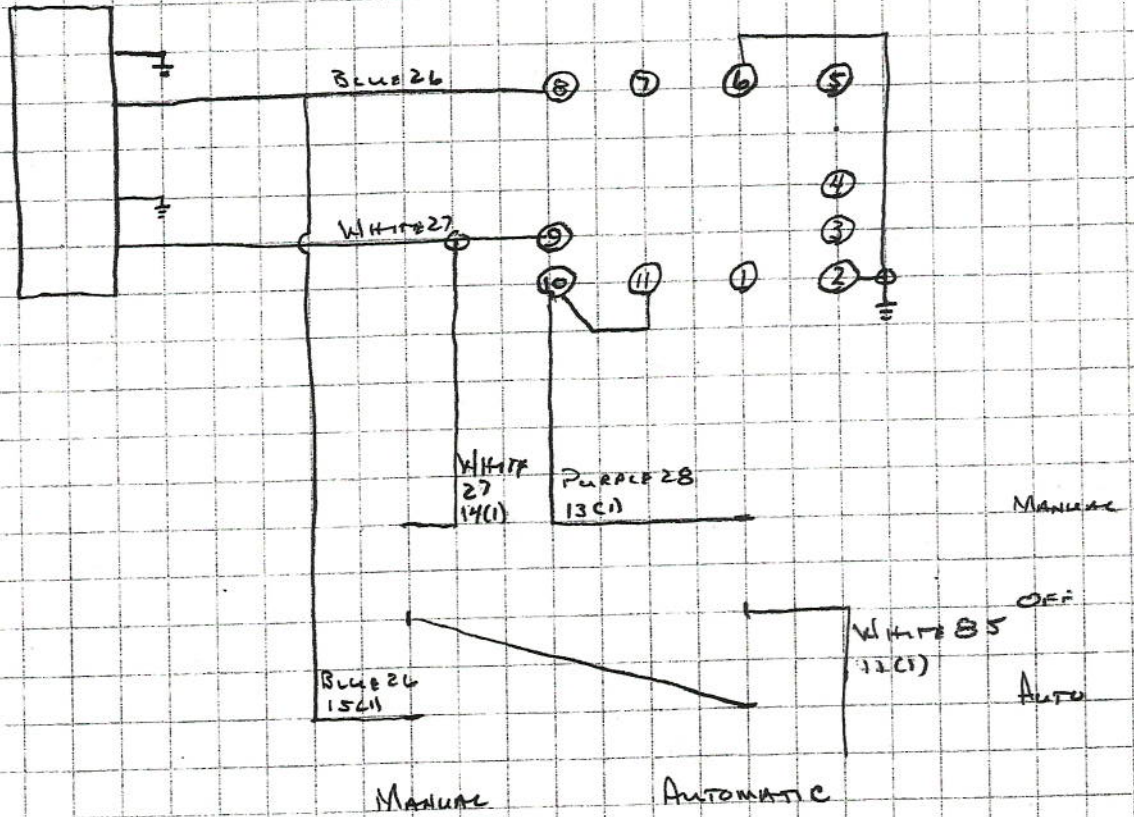
RELAY
TIMER
KAR-TECH BLACK 0020

Foot Pedal Switches Layout



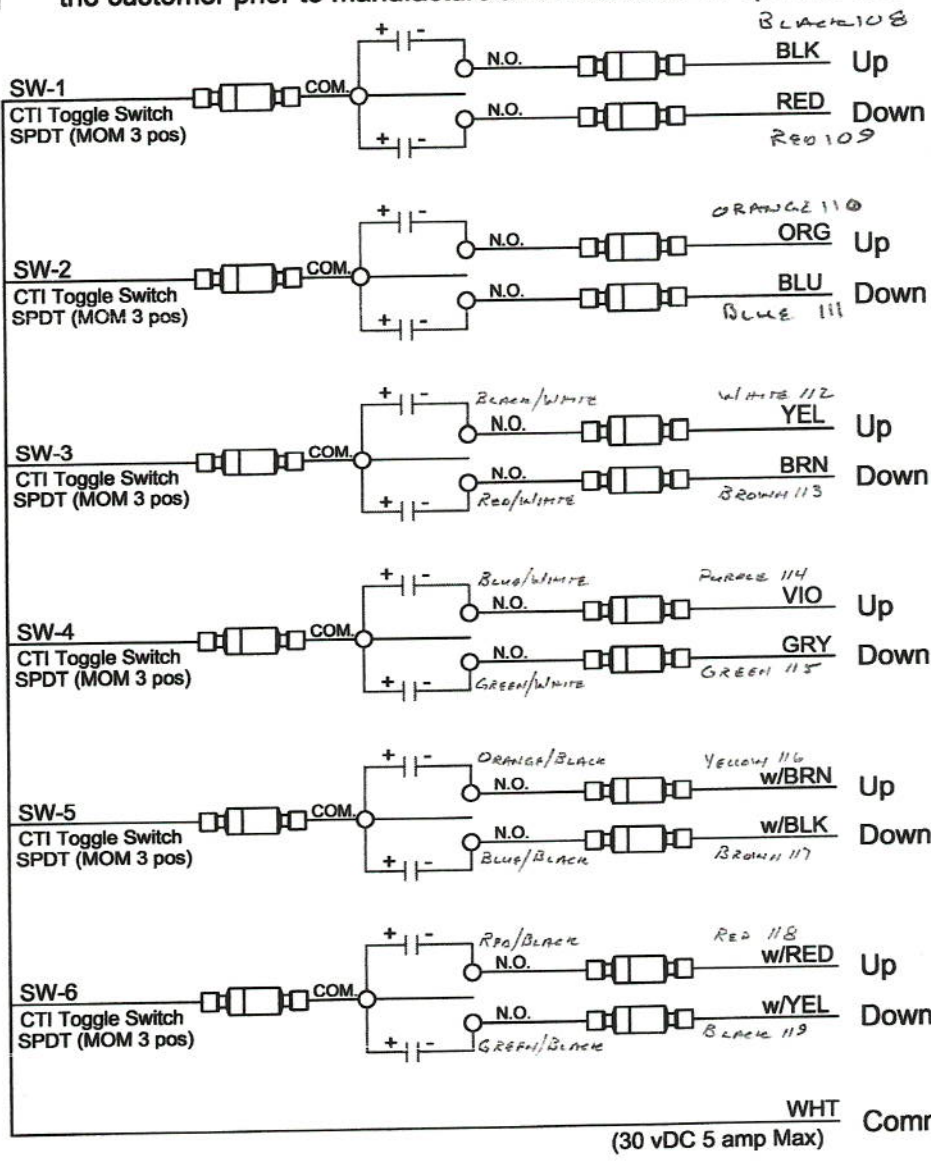
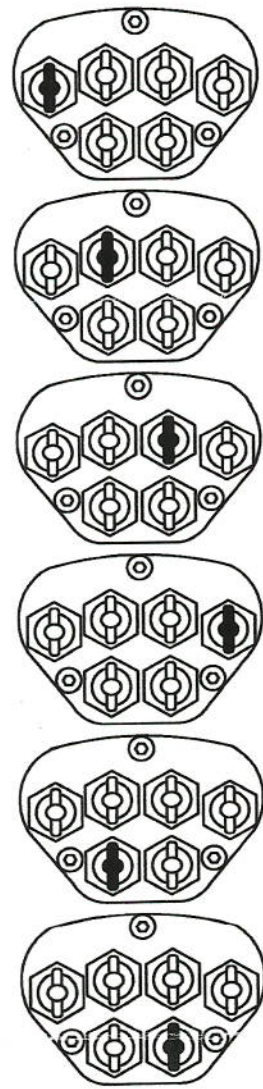


Air Head Cleaner



| ZONE | REV | DESCRIPTION | DATE | APPROVED |
|------|-----|-------------|------|----------|
|------|-----|-------------|------|----------|

Note:
 1-Cyber-Tech, Inc. Proposed Handy-Grip® wiring to be APPROVED by the customer prior to manufacture and installation for operator use.



CAUTION:
 Metal Handle MUST Be Grounded For Safe Operation!

| | | | | | |
|---|--|----------|----------|--------------------------|--------|
| Cyber-Tech, Inc. P.O Box 23801 Portland, Or 97281-3801 1.800.621.8754 www.cyber-tech.net | 8901 Handy-Grip (6 Togg w/Boots) | | | SCHEMATIC DIAGRAM | REV |
| | SIZE | FSCM NO. | DWG NO. | | |
| | SCALE | 1:1 | D DOWERS | SHEET | 1 OF 1 |

