

2 5/8"

4 1/4"

5 7/8"

7 1/2"

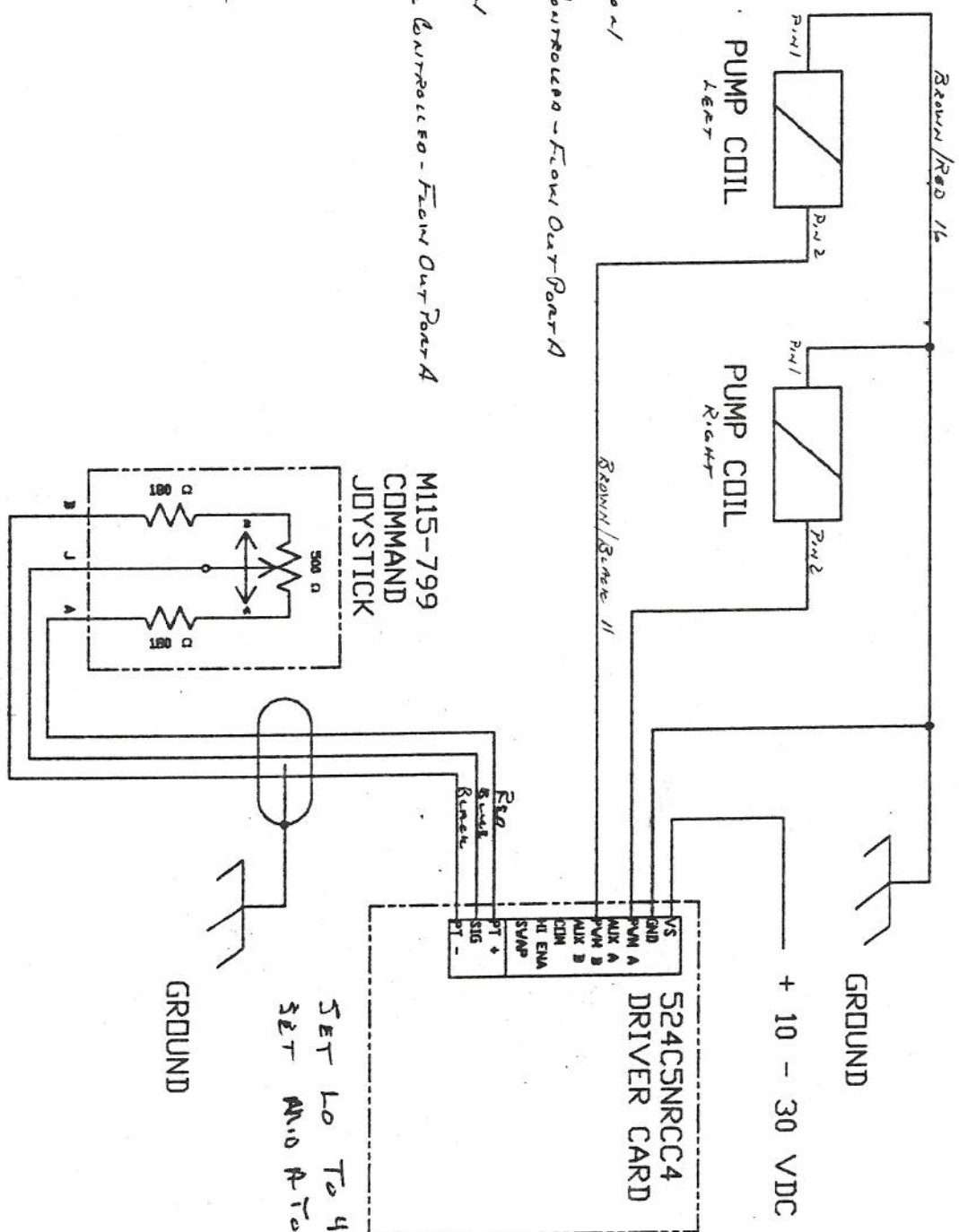
SUMMIT FARMS - 6RPTW #02207

Pin #	Color	Description
1	BLK	LEVELING - MV5
12	RED	LEVELING - MV5
17	BLUE	STEERING - MV5
22	ORANGE	STEERING - MV5
2	RED	LEFT GAUGE WHEEL - MV5
7	BLACK	LEFT GAUGE WHEEL - MV5
18	BLUE	BLADE - MV5
23	ORANGE	BLADE - MV5
3	BLUE	RIGHT GAUGE WHEEL - MV5
8	BLACK	RIGHT GAUGE WHEEL - MV5
13	RED	VIBRATOR RDRS ACTUATOR
24	ORANGE	VIBRATOR RDRS ACTUATOR
4	ORN	SECONDARY RDRS ACTUATOR
9	BLACK	SECONDARY RDRS ACTUATOR
14	RED	KICKER RDRS ACTUATOR
19	BLUE	LEFT PRIMARY REVERSE
5	YEL	RIGHT PRIMARY REVERSE
10	BLACK	
15	RED	
20	BLUE	
25	ORANGE	
6	BRN	KICKER RDRS ACTUATOR
11	BLACK	DRIVER CARD "PWM - B" TO PIN #2 LEFT COIL
16	RED	APIS PUMP LEFT COIL PIN #1 TO PANEL GROUND
21	BLUE	
1	RED	12V DC TO COOLER FAN MOTOR - 12AWG
2	YELLOW	FLASHERS
3	BLACK	GROUND IN PANEL TO MACHINE FRAME 12AWG

3 - PIN PLUG

53

Rev/No	Revision note	Date	Signature/Checked



C/W ROTATION
START END:
RIGHT/LEFT BURROUSEO - FLOW OUT PORT A

C/W ROTATION
START END:
LEFT/RIGHT BURROUSEO - FLOW OUT PORT A

Coil
J2 IC
P.W2 TO BURUSEO
P.W1 TO F



NAH
NORTH AMERICAN
HYDRAULICS, INC.

BATON ROUGE, LA - USA PHONE: 225/751-0500

Item #	Quantity	Title/Name, designation, material, dimension etc	Article No./Reference
Developed by JERRY EVERTON	Checked by	Approved by - date	Date 9/27/02
Scale NONE	WIRING CIRCUIT FOR PQ CONTROLLERS		

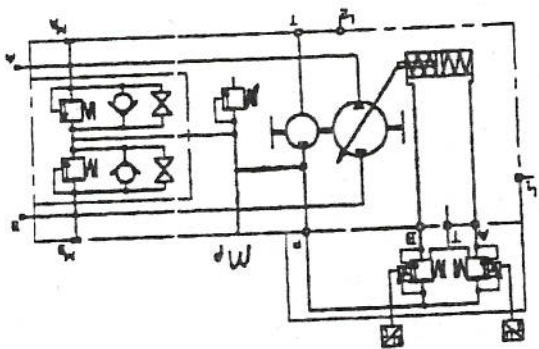
CUSTOMER Edition Sheet
1/1

1 2 3 6 7 8

cc. Paul Thorkelson

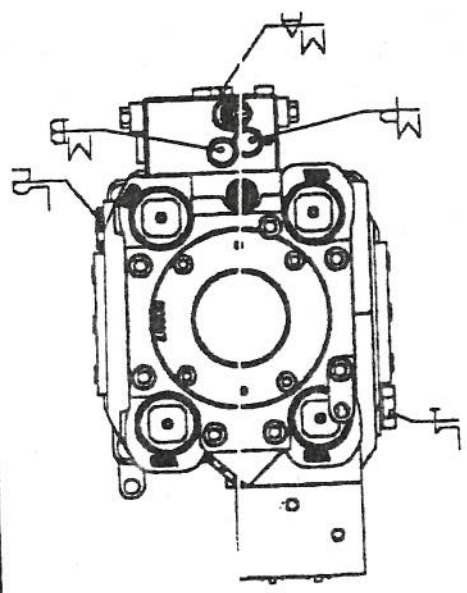
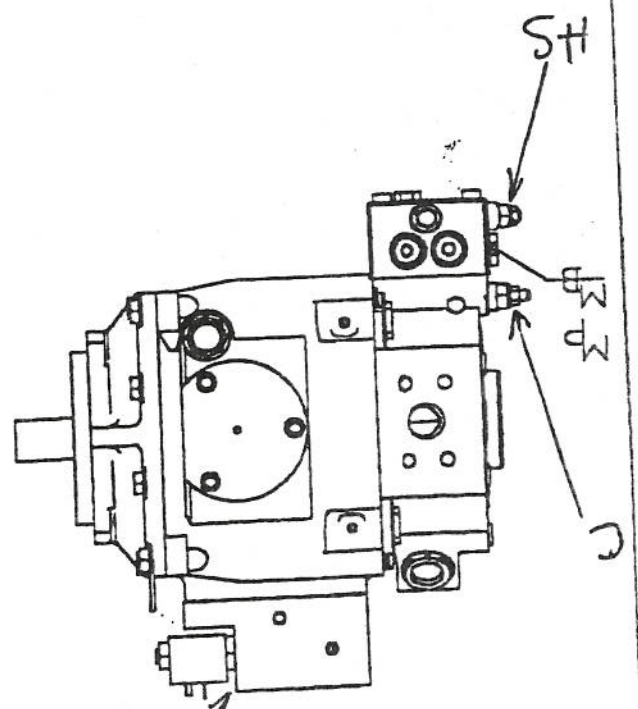
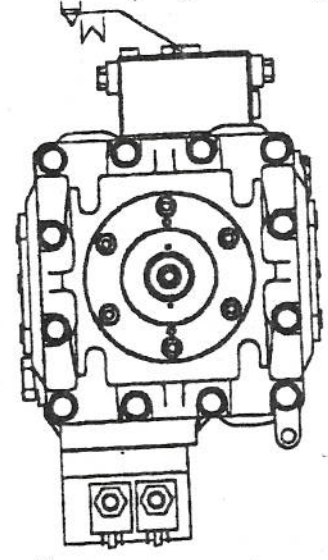
Fig. 1 of 2
from: Toby Miller @ North American Hydraulics, Inc.

HS = Hot Oil Shuttle Adjust
L1 = Case Drain
L2 = Case Drain
C = Charge Pump Adjust.



HYDRAULICKA SCHEMA

M A = "A" Gear Port
M P = Charge Pump Pressure Port.
M B = "B" Gear Port



450 PSI CR. P.
set @ 470
Return } back H.O.S. to 430 PSI?

I'm sure you have a different unit than which is shown, although, the ports will be the same on all.

Notes

