

#07019

M.B. Co

G R SPH W/AR / Dual Tanks

6RSPHWAR / DUAL TANKS

PLUG #1

PIN

1	YELLOW	92	CB 1 TO HAZARD STAT TO SWITCH	
2	GREEN	91	CB2 TO SIZER CONTROLS / BIN FILL SWITCHES	
3	ORANGE	90	CB3 TO MASTER SWITCH	
4	BLACK	017	CB4 TO BRAKE	
5	RED	081	CB 10 TO FUEL PUMP SWITCH	
6	YELLOW	89	CB5 TO MASTER SWITCH	
7				
8	BLACK	0012	CB7 TO 2-SPEED	
9	BLACK	0017	BRAKE SWITCH TO BRAKE SOLENOID	BLACK/BLUE 17
10	BROWN	88	CB11 TO BACK UP LIGHTS SWITCH	
11	WHITE	85	CB12 TO ACTUATOR SWITCHES	
12	RED	81	FUEL PUMP SWITCH TO FUEL PUMP	
13				
14	WHITE	* 27	RT. SIZER SPACE SWT. TO AUX. CONTROL PANEL TO MV5 VALVE	
15	BLUE	* 26	RT. SIZER SPACE SWT. TO AUX. CONTROL PANEL TO MV5 VALVE	
16	BROWN	* 46	RT. SIZER SPEED SWT. TO AUX. CONTROL PANEL TO ACTUATOR	
17	GREEN	* 45	RT. SIZER SPEED SWT. TO AUX. CONTROL PANEL TO ACTUATOR	
18	RED	29	STROBE LIGHT	
19	YELLOW	33	PRIMARY VIBRATOR SWITCH TO RDRS ACTUATOR	
20	RED	32	PRIMARY VIBRATOR SWITCH TO RDRS ACTUATOR	
21	RED	70	RIGHT SIDE SPEED SWITCH TO RDRS112-30 ACTUATOR	
22	PURPLE	69	RIGHT SIDE SPEED SWITCH TO RDRS112-30 ACTUATOR	
23	RED	52	CB 16 TO FOOT SWITCHES 12VDC	
24	PURPLE	83	FOOT SWITCHES TO STEERING BOX	
25	BROWN	088	CB 11 TO BACKUP WARNING SWITCH IN CAB	
26	BROWN	0088	BACKUP WARNING SWITCH IN CAB TO ALARM	
27	RED	~ 00028	10 AMP FAST ACTING FUSE TO CAMERA SYSTEM	
28	BLACK	~ 00015	PANEL GROUND TO CAMERA SYSTEM GROUND	
29	RED	052	BOOM CENTER FOOT PEDAL SWT. TO MICRO SWT'S "N.O."	
30	YELLOW	* 42	LEFT SIZER SPACE SWT. TO AUX. CONTROL PANEL TO MV5 VALVE	
31	WHITE	* 43	LEFT SIZER SPACE SWT. TO AUX. CONTROL PANEL TO MV5 VALVE	
32				
33	BLACK	* 95	LEFT SIZER SPEED SWT. TO AUX. CONTROL PANEL TO ACTUATOR	
34	WHITE	* 96	LEFT SIZER SPEED SWT. TO AUX. CONTROL PANEL TO ACTUATOR	
35	WHITE	65	LEFT STAR RDRS112-30 ACTUATOR	
36	PURPLE	66	LEFT STAR RDRS112-30 ACTUATOR	
37	ORANGE	50	MAIN BIN UNLOAD BYPASS SV3-16-0-12T-12DG SOLENOID	

* __ - OUTSIDE PANEL / CAB

07019

M&G FARMS

5/2/2007

TIE ANALYSIS (FRANKFORD MOUNT)

6RSPHWAR / DUAL TANKS

PLUG 2

PIN

1	BROWN	153	LT. PRIM. REV. SWT. TO REV. VALVE - FOR.	
2	ORANGE	154	RT. PRIM. REV. SWT. TO REV. VALVE - FOR.	
3	BLACK	059	PARK SWT. TO 14(5)/15(5) RED 0015 TO SMX TO SV4-10-0	
4	YELLOW	752	HYDRAULIC OIL TEMPERATURE SENSOR TO CAB	YELLOW 752
5				
6	GREEN	155	SECONDARY / DEVINER REVERSE	
7	BROWN	54	RIGHT TURN SIGNAL	
8	YELLOW	53	LEFT TURN SIGNAL	
9	BROWN	6	BACK-UP LIGHT SWITCH TO RELAY	
10	BROWN	505	RIGHT WORK LIGHT SWITCH TO RELAY	BROWN 505
11	YELLOW	753	HYD. OIL TANK GAUGE TO TANK GROUND	YELLOW 753
12	BLACK	1	4 X 4 SWITCH TO RELAY	
13	BLACK	12	2-SPEED SWITCH TO SOLENOID	
14	BROWN	21	VINE BELT SWITCH TO DTS-0373B (A) SOLENOID	
15	BROWN	11	FRONT CROSS SWITCH TO DTS-0373B (A) SOLENOID	
16	YELLOW	5	LEFT SIDE CONVEYOR SWITCH TO DTS-0373B (B) SOLENOID	
17	BROWN	16	REAR CROSS CONVEYOR SWITCH TO DTS-0373B (A) SOLENOID	
18	RED	82	STAR / STEEL ROLLS SWT. TO 3 DTS-0373B (B) SOL'S.	
19	YELLOW	156	LT. PRIM. REV. SWT. TO REV. VALVE - REV.	
20	YELLOW	15	BOOM / SEED BIN SWT. TO SEED BIN SV3-16-0 BYPASS SOL.	
21	BLUE	3	GROUND-DRIVE HI-PRESSURE FILTER #3 TO LIGHT	
22	YELLOW	20	HYDRAULIC LEVEL SENSOR TO CAB (BZL-12)	
23	WHITE	61	CROSS CONV. / STAR TABLE PRESS. SWT'S. N.O. TO CAB (BZ 6562)	
24	BLACK	22	BOOM SWT. TO DTS-0373B (A) SOLENOID	
25	ORANGE	143	CB7 TO HYDRO NEUTRAL SWITCH #1	
26	ORANGE	144	HYDRO NEUTRAL SWITCH #2 TO PANEL RELAY	
27	RED	157	RT. PRIM. REV. SWT. TO REV. - REV.	
28	GREEN	607	DTS-0160 TO CAB SPEEDOMETER	GREEN 607
29	RED	149	STEEL ROLLS RDRS ACTUATOR	
30	YELLOW	150	STEEL ROLLS RDRS ACTUATOR	
31	ORANGE	145	STAR DIST. ROLLS SWT. TO RDRS ACTUATOR	
32	BLUE	146	STAR DIST. ROLLS SWT. TO RDRS ACTUATOR	
33	ORANGE	147	MAIN BIN UNLOAD SWT. TO RDRS ACTUATOR	
34	BLUE	148	MAIN BIN UNLOAD SWT. TO RDRS ACTUATOR	
35	BLACK	151	STAR TABLE SPACING ACTUATOR	
36	GREEN	425	TEMP. SENDER IN PRIMARY CIRCUIT TO CAB	GREEN 425
37	RED	152	STAR TABLE SPACING ACTUATOR	

6RSPHWAR / DUAL TANKS

PLUG 3

PIN

[LG 16]

*1	18	RED	CB6 TO WIPER		
2	12	RED	CB6 TO RADIO		
3					
4	20	BLACK	GROUND		
5	503	BROWN	LIGHT SWITCH ROAD POSITION TO RELAY #5-86		
6	22	RED	CB8 TO DOME LIGHT/PANEL/LITE SWT/RADIO MEM (ST87 HOT)		
*7	507	BLACK	CAB FIELD LIGHT RELAY TO CAB FIELD LIGHTS #4-30		
8	572	BROWN	WORK LIGHT SWITCH TO LEFT WORK LIGHTS RELAYS		
9					
*10	526	BLACK	CAB ROAD LIGHT RELAY TO CAB LIGHTS #5-30		
11	652	BLUE	FUEL TANK SENDER TO GAUGE	WHITE	58
12	022	RED	CB 8 TO RED 022 IN POWERVIEW HARNESS		
13	422	RED	STARTER RELAY TO POWERVIEW HARNESS		
14	504	BROWN	CAB FIELD LIGHT POSITION TO RELAY #4-86		
*15	156	BLACK	CB15 TO AUXILLARY OUTLET BOX 12 AWG		
16	437	GRN.	PRIM. CIRCUIT TEMP. GAUGE TO GRD. AT SENDER		

6RSPHWAR / DUAL TANKS

PLUG 4

SW#/PIN#

	1 RED	21	CB7 TO PIN 4 ON GAUGE PANEL		
1	2 BLACK	BLACK	SEED CONVEYOR FORWARD / REVERSE MV5 VALVE	BLACK	108
1	3 RED	RED	SEED CONVEYOR FORWARD / REVERSE MV5 VALVE	RED	109
2	4 ORANGE	ORANGE	BOOM OUTER MV5 VALVE	ORANGE	110
2	5 BLUE	BLUE	BOOM OUTER MV5 VALVE	BLUE	111
3	6 BLK/WHT	YELLOW	BOOM LIFT MV5 VALVE	WHITE	112
3	7 RED/WHT	BROWN	BOOM LIFT MV5 VALVE	BROWN	113
4	8 BLU/WHT	VIOLET	BOOM SWING MV5 VALVE-IN (PURPLE-0114 -TO MICRO SWT N.O.)	PURPLE	114
4	9 GRN/WHT	GRAY	BOOM SWING MV5 VALVE-OUT (GREEN-0115-TO MICRO SWT N.O.)	GREEN	115
5	10 ORG/BLK	WHT/BRN	COULTER MV5 VALVE (ORANGE 41)	YELLOW	116
5	11 BLU/BLK	WHT/BLK	COULTER MV5 VALVE	BROWN	117
6	12 RED/BLK	WHT/RED	BLADE MV5 VALVE (RED 40)	RED	118
6	13 GRN/BLK	WHT/YEL	BLADE MV5 VALVE	BLACK	119
	14 BLUE	55	LEFT CRAB FOOT SWITCH TO STEERING BOX RELAY		
	15				
	16 ORANGE	56	RIGHT CRAB FOOT SWITCH TO STEERING BOX RELAY		
	17 BROWN	37	RIGHT STAR TABLE RDRS112-30 ACTUATOR		
	18 GREEN	38	RIGHT STAR TABLE RDRS112-30 ACTUATOR		
	19 BLUE	71	BIN FILL MAN. SWITCH TO TOC 8 (DOWN)		
	20 ORANGE	72	BIN FILL MAN. SWITCH TO TOC 8 (UP)		
	21 RED	75	BIN FILL AUTO. SWT. TO TOC 8 PANEL JUNCTION BLOCK		
	22 YELLOW	76	RIGHT SIDE DIST. ROLLS SWT. TO RDRS112-30 ACTUATOR		
	23 GREEN	77	RIGHT SIDE DIST. ROLLS SWT. TO RDRS112-30 ACTUATOR		
	24 GREEN	78	SEED BIN UNLOAD SWITCH TO RDRS112-30 ACTUATOR		
	25 BROWN	79	SEED BIN UNLOAD SWITCH TO RDRS112-30 ACTUATOR		
	26 WHITE	86	SIZER TABLE UP / DN SWT. TO MV5 VALVE		
	27 PURPLE	87	SIZER TABLE UP / DN SWT. TO MV5 VALVE		
	28 PURPLE	47	FRONT CROSS SWT. TO RDRS ACTUATOR		
	29 WHITE	48	FRONT CROSS SWT. TO RDRS ACTUATOR		
	30 BLACK	51	SIZER FEED SPEED SWT. TO RDRS ACTUATOR		
	31 ORANGE	52	SIZER FEED SPEED SWT. TO RDRS ACTUATOR		
	32 BLUE	66	BOOM SPEED SWT. TO RDRS ACTUATOR		
	33 WHITE	67	BOOM SPEED SWT. TO RDRS ACTUATOR		
	34 RED	2	CB 16 TO CAB FOR DRIVER P.A.		
	35 BLACK	4	PANEL GROUND TO DRIVER P.A.		
	36 BLACK	020	CYBER TECH HANDLE TO PANEL GROUND	GREEN	
	37 GREEN	091	CB2 TO CYBER TECH HANDLE	WHITE	

07019

**COLUMN PLUG
M&G FARMS**

5/2/2007

6RSPHWAR / DUAL TANKS

PLUG 5

PIN #

COLUMN PLUG

1	11	RED	ST 87 HOT SIDE TERMINAL	
3	13	RED	ST 87 IGINATION TERMINALS	
4	502	BROWN	POWER FROM TURN STAT	502 TO 507
5	104	WHITE	CLUTCH SWITCH N.C. TO RELAY	
14	059	BLACK	TO CLUTCH SWITCH N.O. POSITON TO 15 (5)	
15	0015	RED	TO SMX SWITCH - "COM" / N.O. ON SMX RED 15 TO SV4 SOLENOID	
18	522	BROWN	RIGHT TURN SIGNAL - BROWN 54 ON MACHINE	512 TO 522
20	523	BROWN	LEFT TURN SIGNAL - YELLOW 53 ON MACHINE	513 TO 523

07019

M&G FARMS

5/2/2007

CAB TO KAR-TECH PANEL
6RSPHWAR / DUAL TANKS
BELDEN 8468 (18 AWG -15C)

PLUG #6

1	BLACK	
2	RED	
3	ORANGE	
4	BLUE	
5	BLACK / WHITE	LEFT / RIGHT PRIMARY CONTROLLAER POWER SUPPLY PIN "8"
6	RED / WHITE	
7	BLUE / WHITE	LEFT PRIMARY CONTROLLER COMMAND SIGNAL PIN " 6 "
8	GREEN / WHITE	LEFT PRIMARY CONTROLLER COMMAND SIGNAL PIN " 7 "
9	ORANGE / BLACK	
10	BLUE / BLACK	RIGHT PRIMARY CONTROLLER COMMAND SIGNAL PIN "10"
11	RED / BLACK	RIGHT PRIMARY CONTROLLER COMMAND SIGNAL PIN "11"
12	GREEN / BLACK	SECONDARY CONTROLLER POWER SUPPLY PIN "16"
13	WHITE	
14	GREEN	SECONDARY CONTROLLER COMMAND SIGNAL PIN "14"
15	WHITE / BLACK	SECONDARY CONTROLLER COMMAND SIGNAL PIN "15"
16		

LEFT / RIGHT PRIMARY - SECONDARY -- COIL #1 PIN "B" TO GROUND
AIR HEAD -- COIL #1 PIN "B" TO GROUND

CANTRAC CAB PLUG
PIN #1 BLACK
2 GREEN
3 RED 028
4 BLACK 015

AIR-HEAD MACHINE REAR WIRING

07019

M&G FARMS

5/2/2007

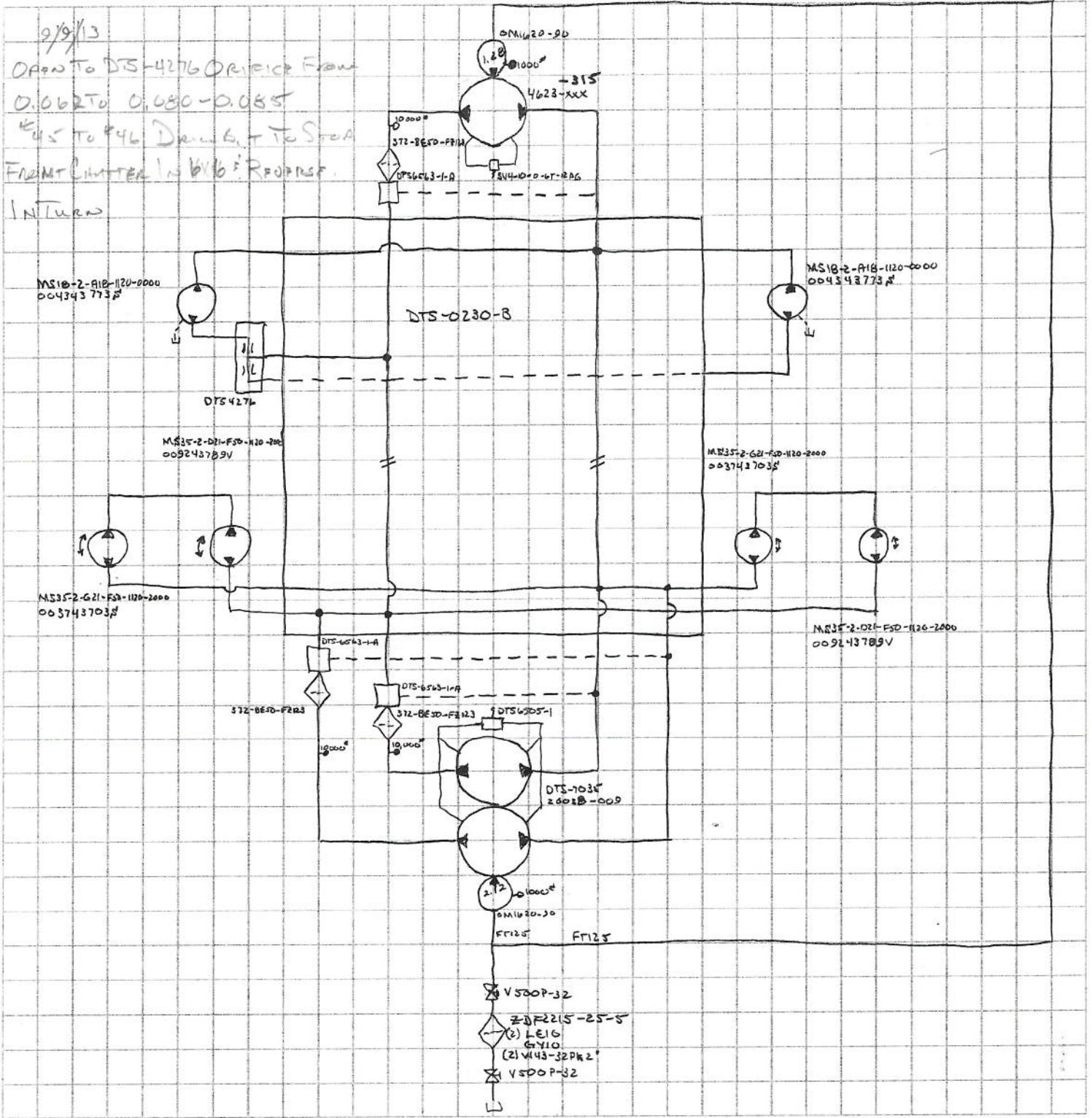
6RSPHWAR / DUAL TANKS

OUTSIDE CONTROL PANEL

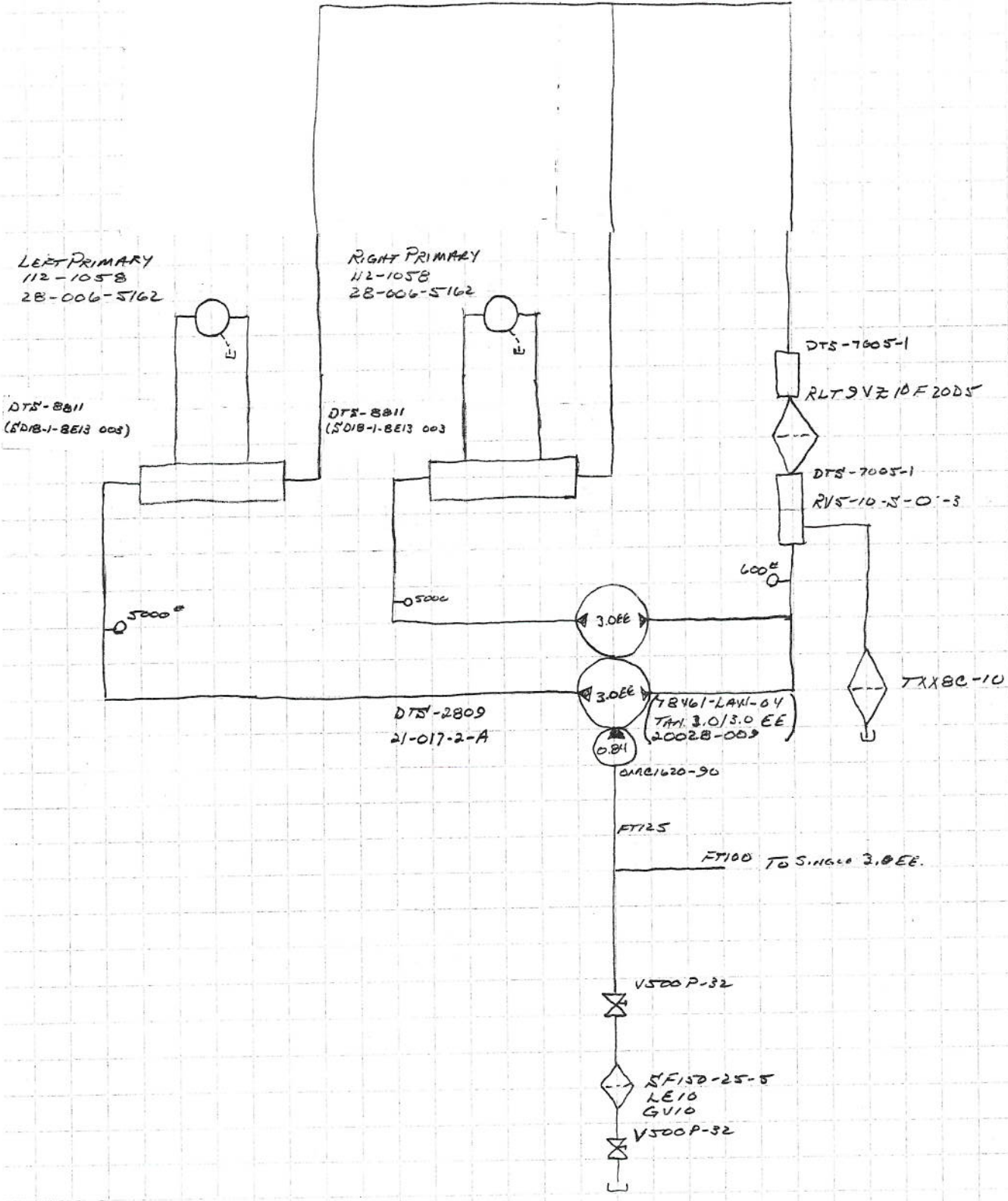
PIN #				
1	BLUE	26	RIGHT SIZER SPACE SWT. TO OUTSIDE PANEL JUNC. 2	15 (1)
2	WHITE	27	RIGHT SIZER SPACE SWT. TO OUTSIDE PANEL JUNC. 3	14 (1)
3	YELLOW	42	LEFT SIZER SPACE SWT. TO OUTSIDE PANEL JUNC. 4	30 (1)
4	WHITE	43	LEFT SIZER SPACE SWT. TO OUTSIDE PANEL JUNC. 5	31 (1)
5	GREEN	45	RIGHT SIZER SPEED SWT. TO OUTSIDE PANEL JUNC. 6	17 (1)
6	BROWN	46	RIGHT SIZER SPEED SWT. TO OUTSIDE PANEL JUNC. 7	16 (1)
7	BLACK	95	LEFT SIZER SPEED SWT. TO OUTSIDE PANEL JUNC. 8	33 (1)
8	WHITE	96	LEFT SIZER SPEED SWT. TO OUTSIDE PANEL JUNC. 9	34 (1)
9	BLUE	26	RIGHT SIZER SPACE. OUTSIDE PANEL SWT. TO MV5 VALVE	
10	WHITE	27	RIGHT SIZER SPACE OUTSIDE PANEL SWT. TO MV5 VALVE	
11	YELLOW	42	LEFT SIZER SPACE OUTSIDE PANEL SWT. TO MV5 VALVE	
12	WHITE	43	LEFT SIZER SPACE OUTSIDE PANEL SWT. TO MV5 VALVE	
13	GREEN	45	RIGHT SIZER SPEED OUTSIDE PANEL SWT TO RDRS ACTUATOR	
14	BROWN	46	RIGHT SIZER SPEED OUTSIDE PANEL SWT TO RDRS ACTUATOR	
15	BLACK	95	LEFT SIZER SPEED OUTSIDE PANEL SWT. TO RDRS ACTUATOR	
16	WHITE	96	LEFT SIZER SPEED OUTSIDE PANEL SWT. TO RDRS ACTUATOR	

PIN #				
1	WHITE	85	CB12 TO JUNC. BLOCK 1 OUTSIDE PANEL TO SWT'S.	P
2	BLACK		OUTSIDE CONTROL PANEL JUNC. BLK. 10 TO DIST PANEL GRD.	P
3				
4				

1/30/07
 #07019
 NFG
 GRSPAWAR - DWG. 1/1/05



1/29/07
 #07019
 M & G
 6 RAPP - VIAL w/ PUNCTURES



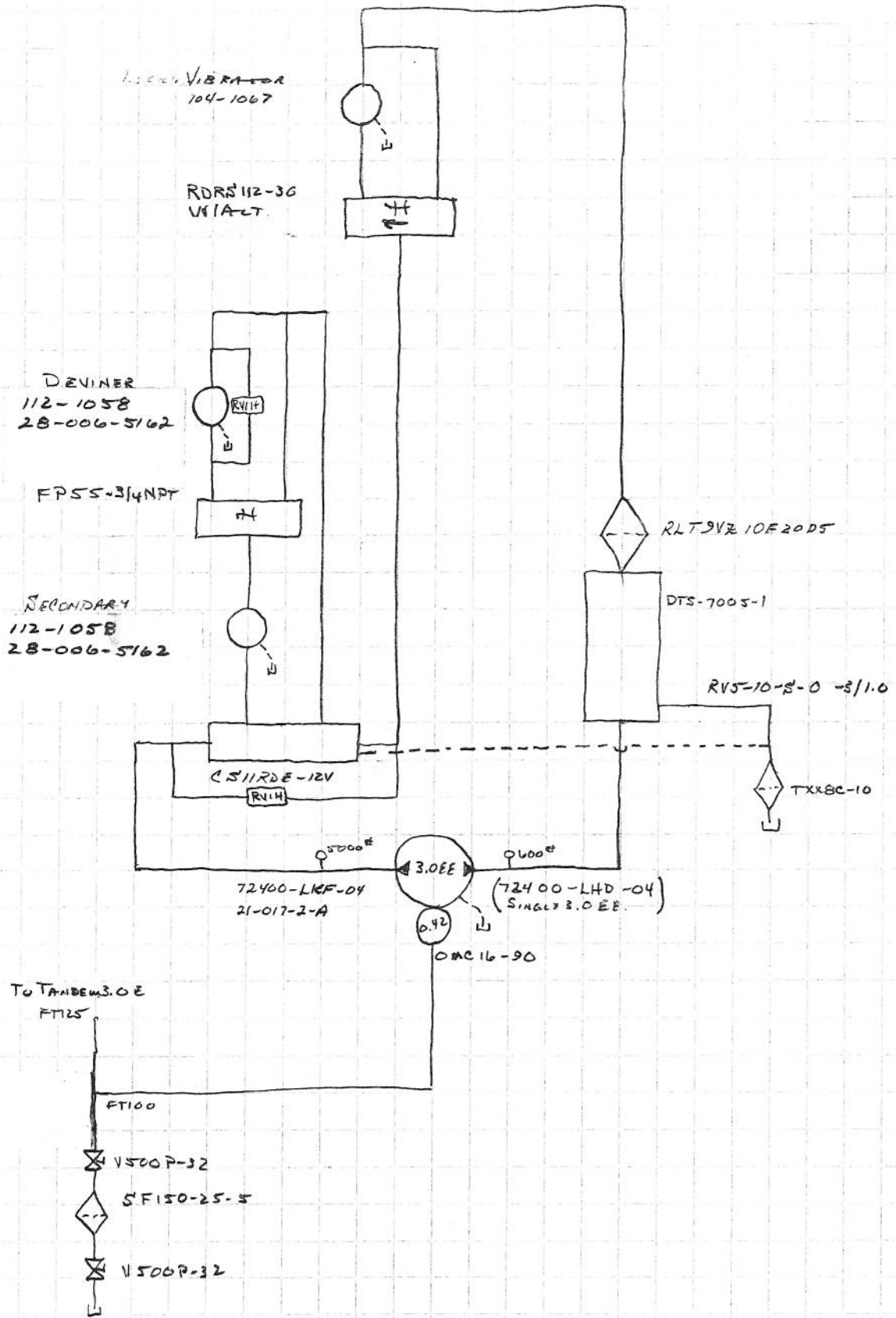
SECONDARY CIRCUIT

1/29/67

#09019

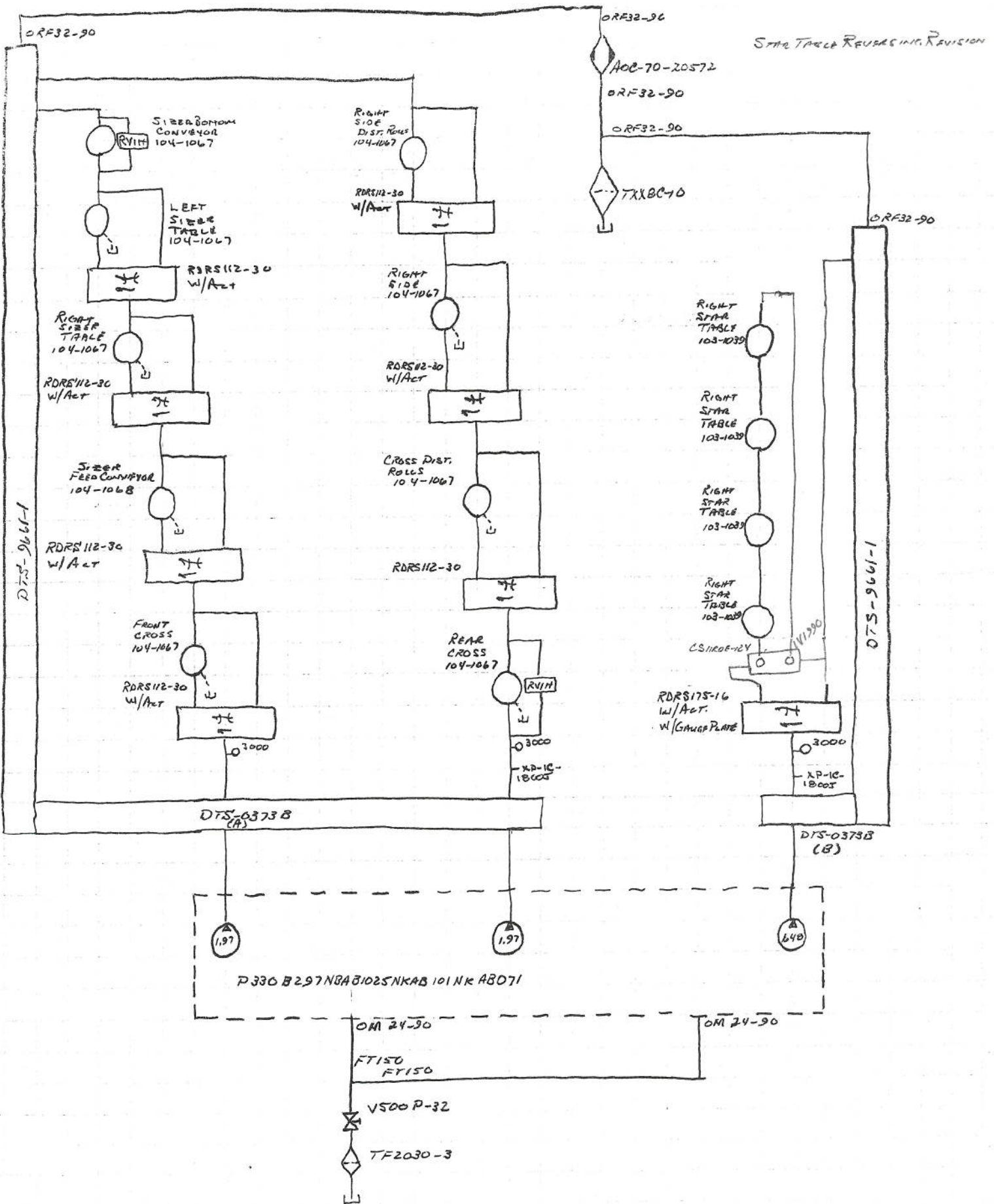
MAG

6RSPP-VIA w/punctures



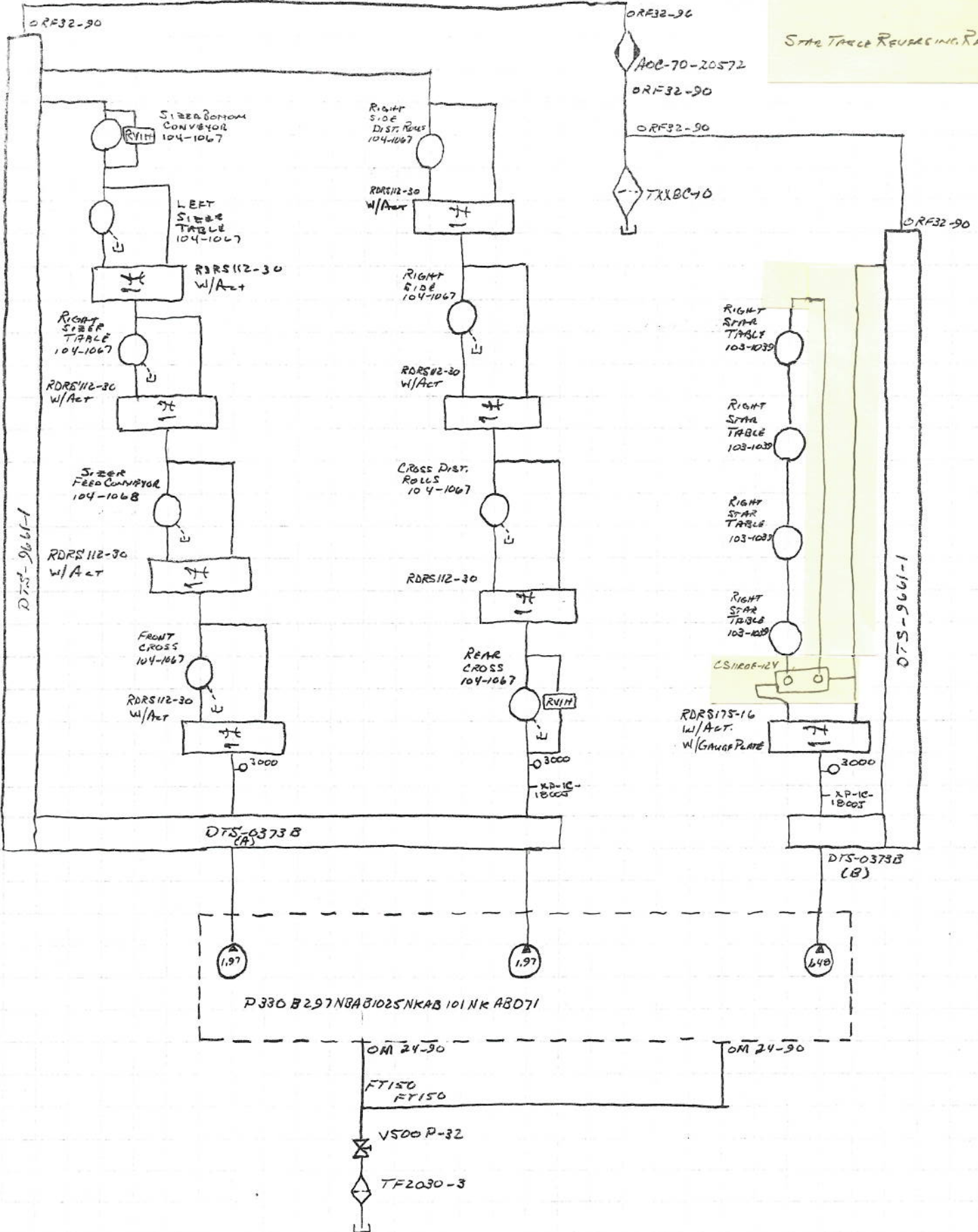
2/3/16
 607019
 M&G,
 WSPILWPA

STAR TABLE REUBASING REVISION



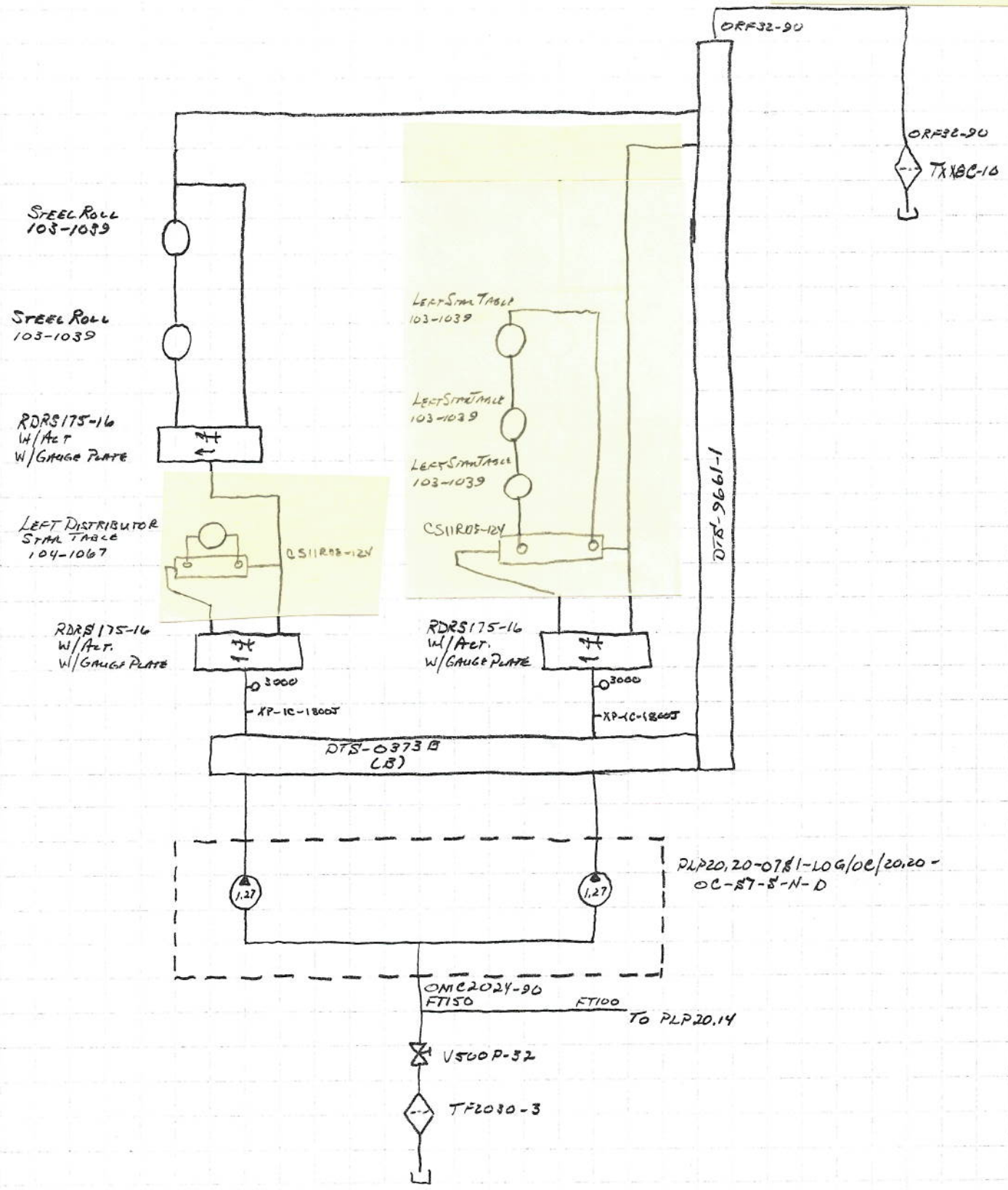
2/3/10
 #07019
 M.G.
 BRSP/AN

STAR TABLE REVERSING REVISION

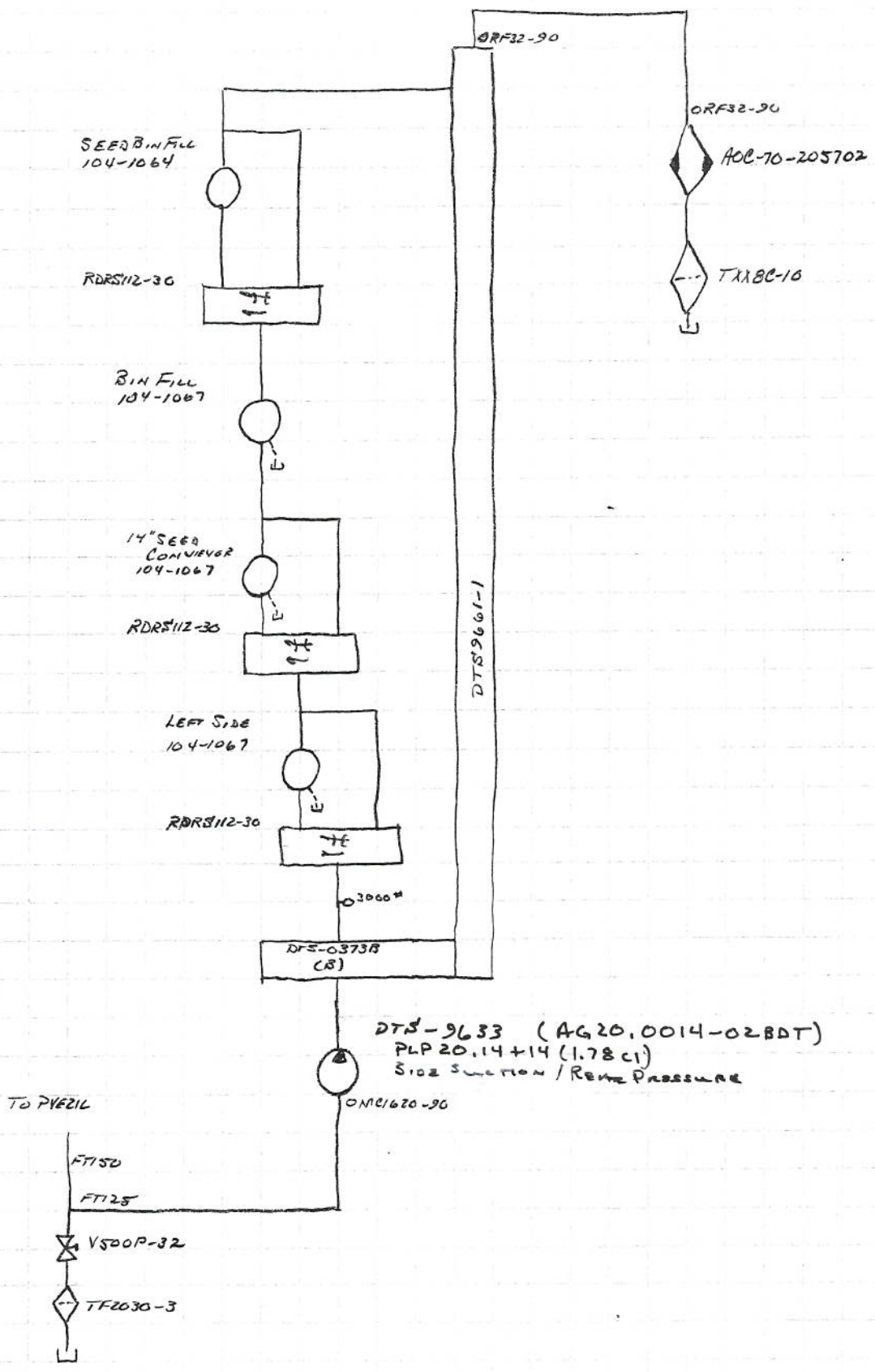


2/3/10
#07619
MAG
LRSPT VIAN

STARTABLE REVERSING REVISION



1/30/07
#07019
NA EG
GRSDPHWAR/DUM TANKS



1/30/10
#67013
MFG
6RSPHWAR

2ND BOOM AREA
4/2008 - 1300M

SEED BIN
75 ROOM
104-1067

SEED BIN UNLOADER
112-105B
28-006-5162

RDRS112-30
W/ACT

ROOM
104-1067

RDRS112-30
W/ACT

BIN UNLOADER
112-105B
28-006-5162

RDRS112-30
W/ACT

TRASH FAN
7431B DBH

RDRS112-30

VINE BEAT
104-106B

RDRS112-30

ORFS2-90

ACC-70-205702

TX18C-10

SEE REVISION
4/30/08

DTS-9661-1

DTS-0373B
(A)

FD00181800

35VOTBS
02-125554-5
20029-008

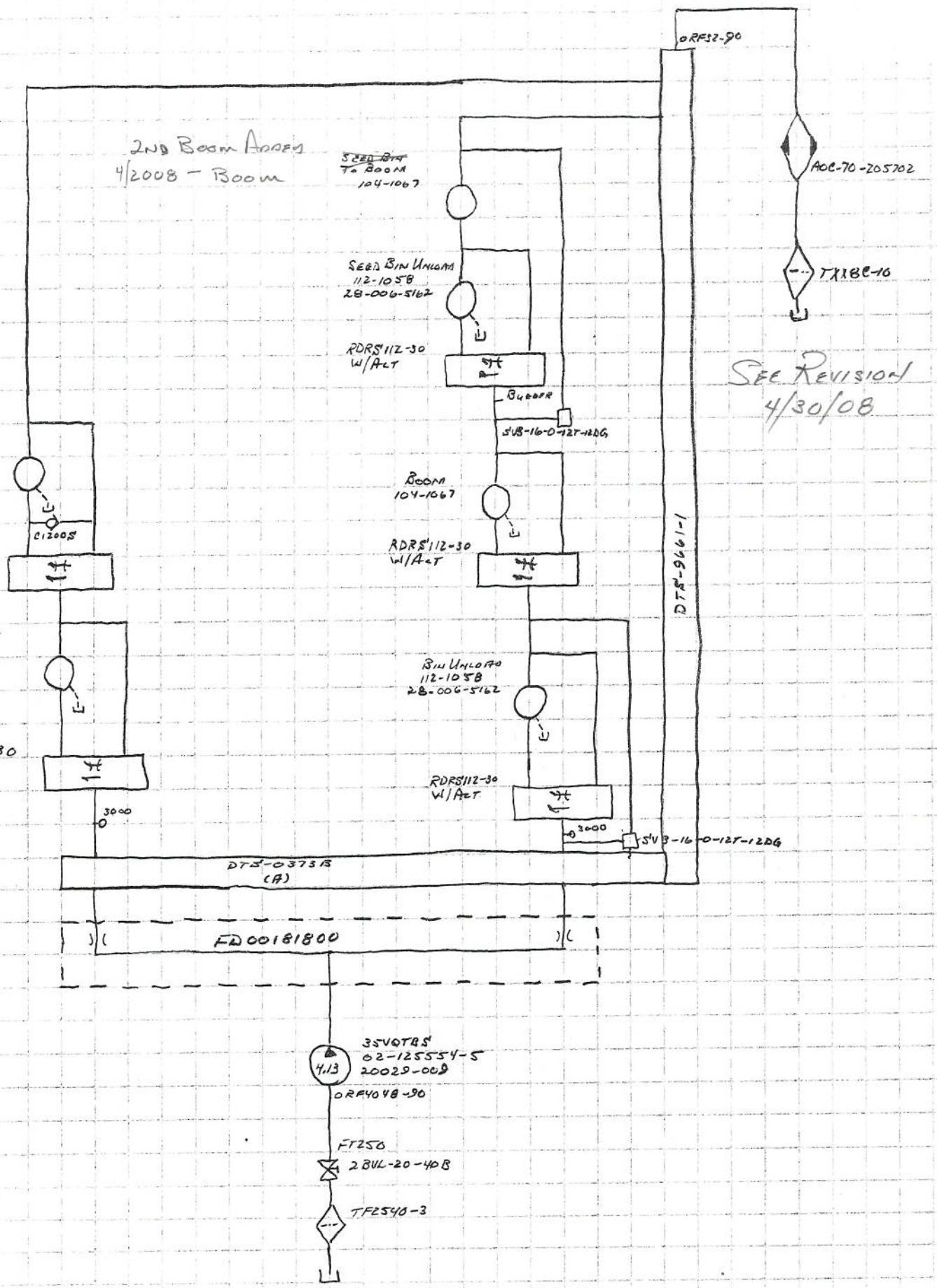
4/13

ORF404B-30

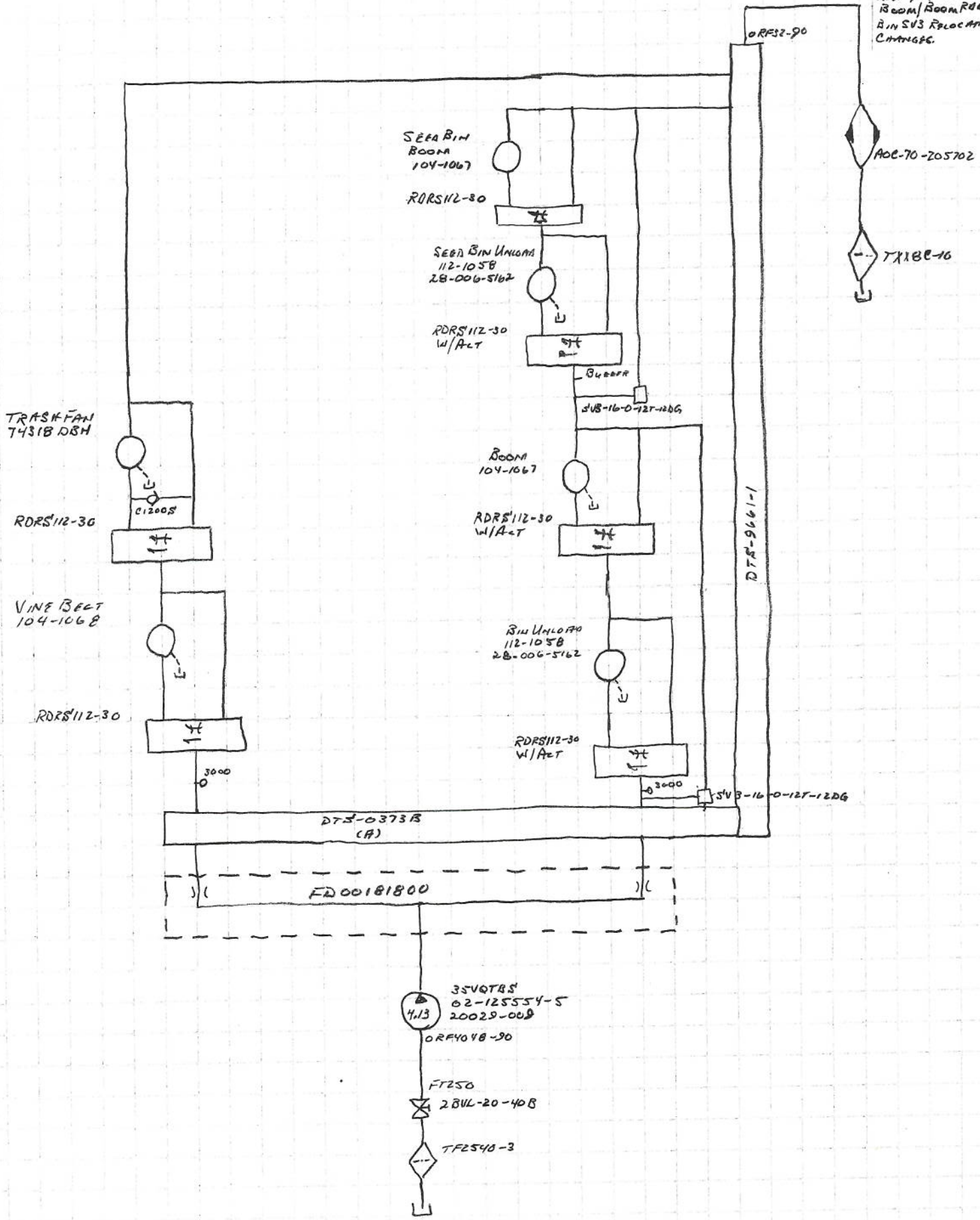
FZ50

28VL-20-40B

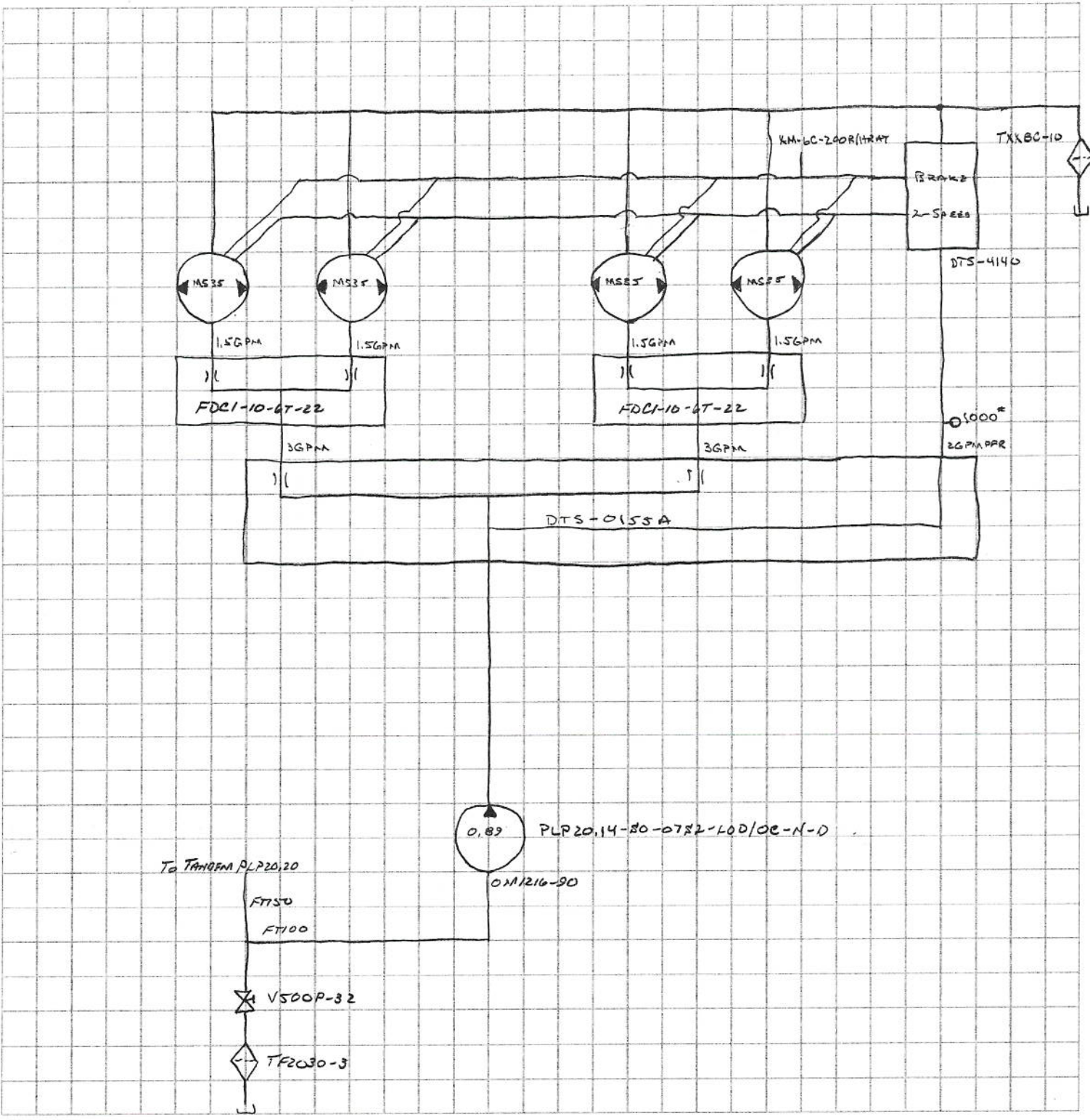
TF2540-3



4/30/08
 #07019
 MFG
 6 RSPHVAR
 Rev. 4/30/08 - Seed Bin
 Room/Room R05/
 Bin SV3 Relocation
 Change.

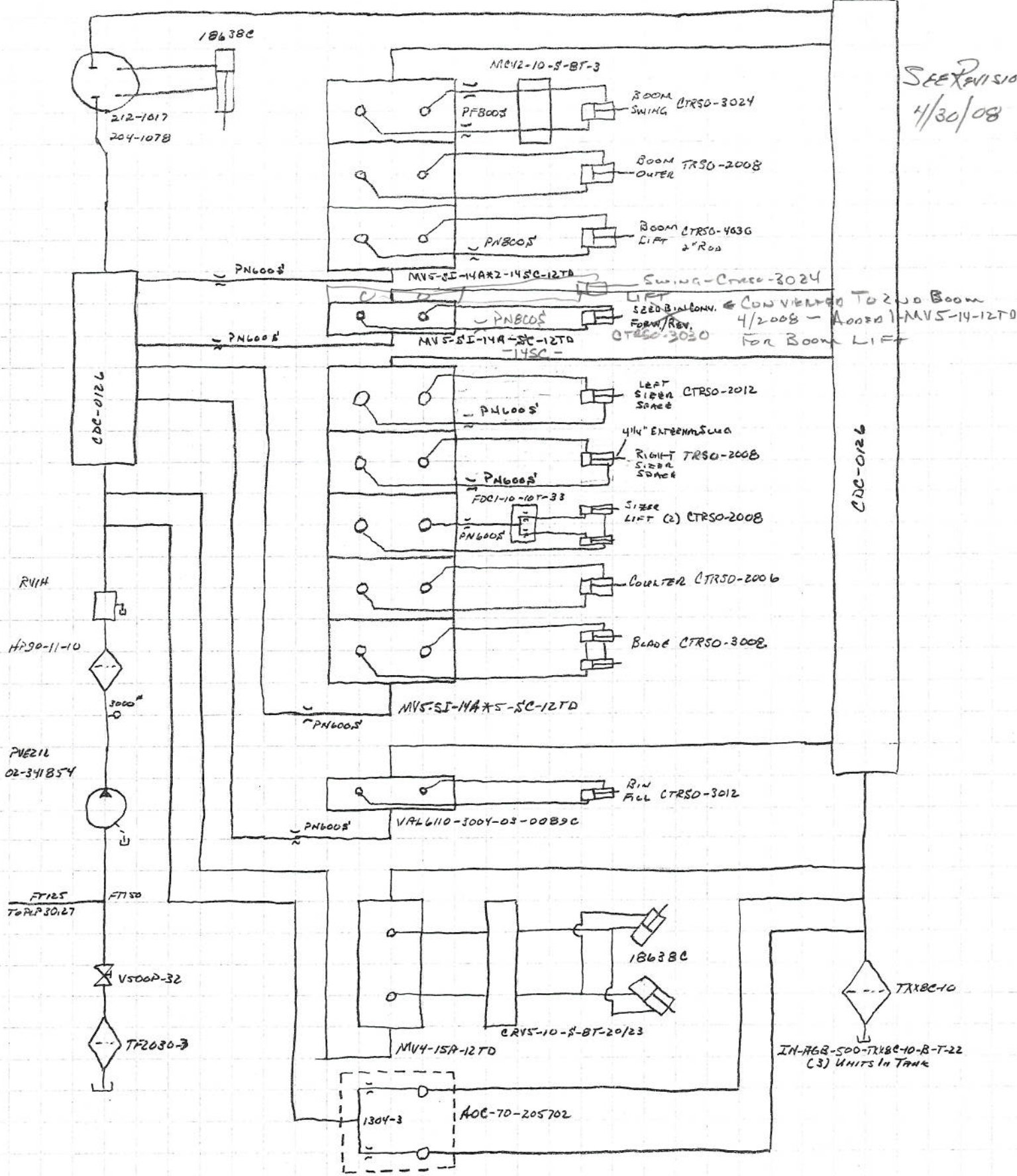


1/30/07
#07019
MSG
GRS'PH WARR/DUAL TANKS



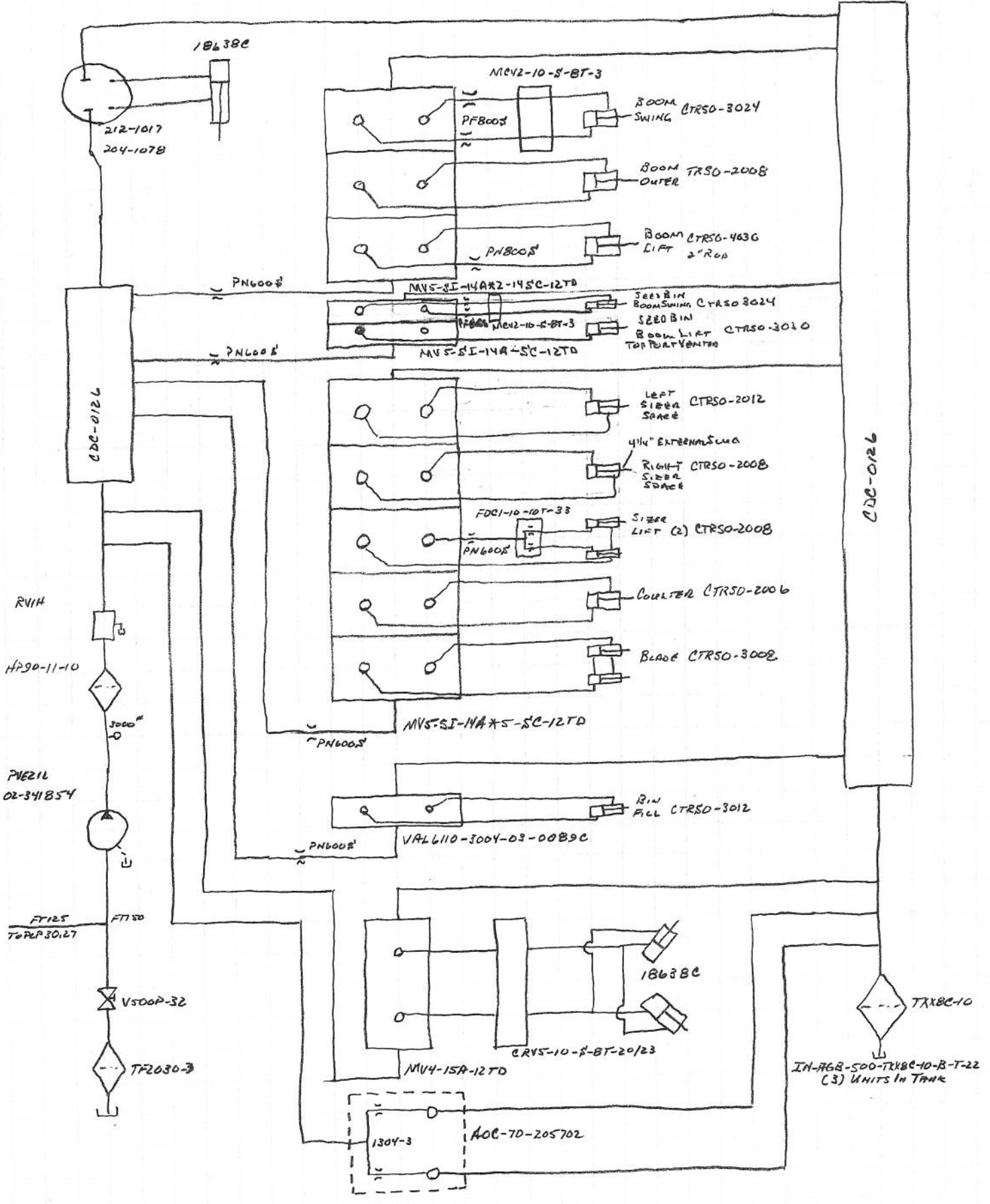
3/24/07 #07019
 MFG 6RSPH/WAR/DUNE TRAINERS
 REV-5/24/07 SEED BILLOWY CYMARRA

SEE REVISION
 4/30/08



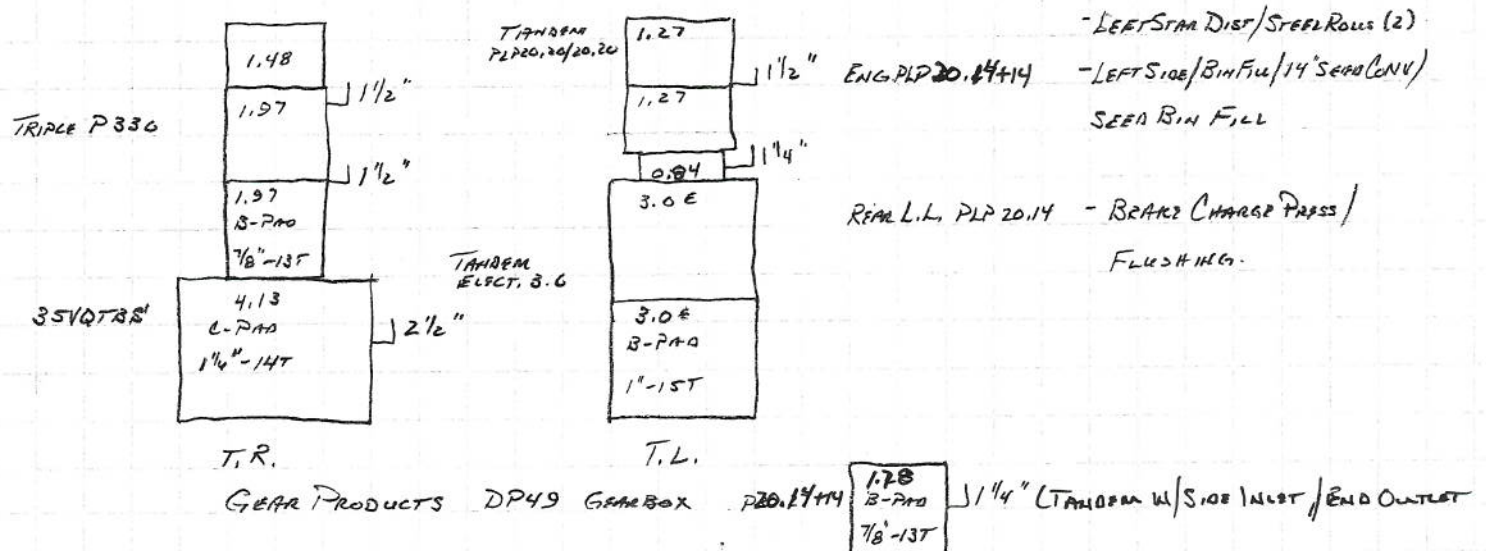
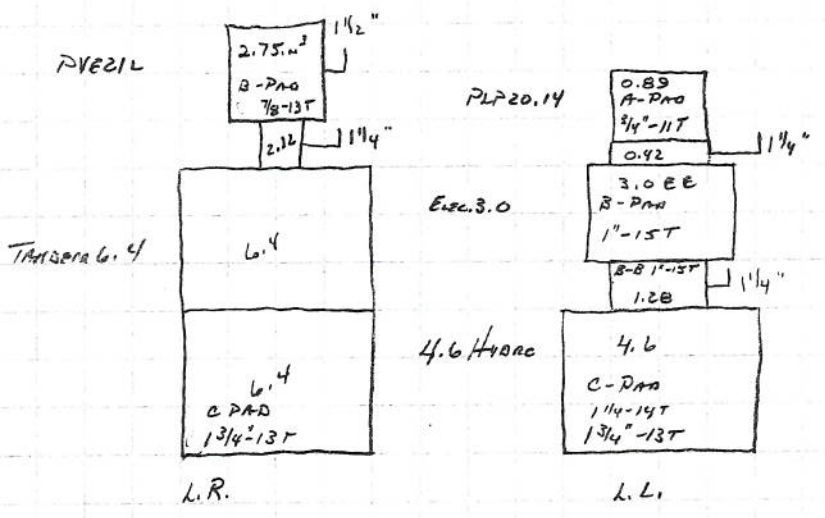
IN-AGB-500-TX8C-10-B-T-22
 (3) UNITS IN TANK

4/30/08 407019
 MFC 6R SPH WAK/DUAL TANKS
 REV-02/07 SEED BIN LIFT CYLINDER
 REV 4/30/08-SEED BIN BOOM ADAPTER



- | | | | | | |
|--|---|---|---|---|--|
| <p>④</p> <p>TF2540-3</p> <p>2 1/2" CLS N/A</p> <p>2BV20-40B</p> <p>FT250</p> <p>* 35VQTS</p> | <p>③</p> <p>3' X 2" BUSH</p> <p>2" CLS N/A</p> <p>V500P-32</p> <p>FT200</p> <p>FT200</p> <p>V500P-32</p> <p>2" CLS N/A</p> <p>2" 90° STELL</p> <p>W 43-32PK</p> <p>ZDF2215-25-5</p> <p>W 43-32PK</p> <p>2" 90° STELL</p> <p>2" CLS N/A</p> <p>V500P-32</p> <p>2" CLS N/A</p> <p>2" TEE TO</p> <p>X 2" X 1 1/4" BUSH</p> <p>FT125</p> <p>* T 6.4/6.4 HYDRO</p> <p>O 2" 90° STELL</p> <p>2" X 1 1/4" BUSH</p> <p>FT125</p> <p>* 4.6 HYDRO</p> | <p>③</p> <p>TF2030-3</p> <p>2" CLS N/A</p> <p>V500P-32</p> <p>2" CLS N/A</p> <p>2" TEE TO</p> <p>X 2" X 1 1/2" BUSH</p> <p>FT150</p> <p>* PVE21L</p> <p>O 2" 90° STELL</p> <p>2" X 1 1/4" BUSH</p> <p>FT125</p> <p>* PLP30.27</p> | <p>③</p> <p>TF2030-3</p> <p>2" CLS N/A</p> <p>V500P-32</p> <p>2" CLS N/A</p> <p>2" TEE TO</p> <p>X 2" X 1 1/2" BUSH</p> <p>FT150</p> <p>* P330</p> <p>O 2" 90° STELL</p> <p>2" X 1 1/2" BUSH</p> <p>FT150</p> <p>* P330</p> | <p>③</p> <p>TF2030-3</p> <p>2" CLS N/A</p> <p>V500P-32</p> <p>2" CLS N/A</p> <p>2" TEE TO</p> <p>X 2" X 1 1/2" BUSH</p> <p>FT156</p> <p>* PLP20.20/20.20</p> <p>O 2" 90° STELL</p> <p>2" X 1" BUSH</p> <p>FT100</p> <p>* PLP20.14</p> | <p>④</p> <p>4' X 2" BUSH</p> <p>2" CLS N/A</p> <p>V500P-32</p> <p>2" X 1 1/2" BUSH</p> <p>1 1/2" CLS N/A</p> <p>8F150-25-5</p> <p>2" X 1 1/2" BUSH</p> <p>V500P-32</p> <p>2" CLS N/A</p> <p>2" TEE TO</p> <p>X 2" X 1 1/4" BUSH</p> <p>FT125</p> <p>* T3.0/3.0 EE</p> <p>O 2" 90° STELL</p> <p>2" X 1" BUSH</p> <p>FT100</p> <p>* 3.0 EE</p> |
|--|---|---|---|---|--|

- L.R. TANDAM 6.4 - GROUND DRIVE
- PVE21L - STEERING / VALVE BANK
- L.L. 4.6 HYDRO - GROUND DRIVE
- ELEC. 3.0 - SECONDARY / DEVINER / STARTER
- T.R. 35VQTS - FD - VINE BOLT / TRASH FAN
- FD - BIN / UNLOAD / BOOM / SEED BIN
- UNLOAD / SEED BIN TO BOOM CONV.
- TRIPLE P330 - RIGHT STAR TABLE (4)
- REAR CROSS / CROSS DIST. ROUS / RIGHT
- SIDE / SIDE DIST. ROUS.
- FRONT CROSS / RT. SIZER / LT. SIZER
- S. BEE CONV.
- T.L. TAN ELEC. 3.0 - LEFT PRIMARY
- RIGHT PRIMARY
- TAN. 20.20/20.20 - LEFT STAR TABLE (3)
- LEFT STAR DIST / STEEL ROLLS (2)
- ENG. PLP 20.14/14 - LEFT SIDE / BIN FILL / 14" SEED CONV
- SEED BIN FILL
- REAR L.L. PLP 20.14 - BRAKE CHARGE PRESS / FLUSHING.



GEAR PRODUCTS DP49 GEARBOX P20.14/14 1.28 B-PAD 7/8"-13T 1 1/4" (TANDAM W/ SIDE INLET / END OUTLET)

J.D. ENG. AUX.

MSIB-3

MSIB-2

LEFT SIDE TABLE
104-1067
RORS112-30

RIGHT SIDE TABLE
104-1067
RORS112-30

FRONT CROSS
104-1067

ST. REF. LOUV.
104-1067

Prim Vis.
104-1067
RORS116-30

Rt. Prim
112-1058
28-006-5162
078-8811

Rt. Side LOUV.
104-1067

Lt. Prim
112-1058
28-006-5162
078-8811

SUGG. BOARD
112-1058
28-006-5162
0511185-124

RORS175-16
RORS175-16

Lt. STAIR
103-1039
STAIR ROLL
103-1039
Lt. STAIR
103-1039
STAIR ROLL
103-1039
Lt. STAIR
103-1039

Rt. STAIR 103-1039

Rt. STAIR 103-1039

Rt. STAIR 103-1039 - RORS175-16

WINE RACK
104-1068
RORS116-30

Rt. STAIR 103-1039

Lt. STAIR DET.
104-1067
RORS175-16

TRASH BIN
7731088
RORS116-30

LEFT SIDE
CONJ.
104-1067

FRONT
CROSS
104-1067

SEATING
112-1058
28-006-5162

Bin Full
104-1067
RORS112-30

CROSS DET. STAIR 104-1067 RORS116-30

Room
104-1067

SEFO COM MS35
104-1067

MS35

MS35

MS35

Bin Under
112-1058
28-006-5162
RORS112-30

Room
ADDED 4/2008

SEFO COM TO ROOM
104-1067

SEFO BIN Full
104-1067
RORS112-30

SEFO Bin Under
112-1058
28-006-5162
RORS112-30