

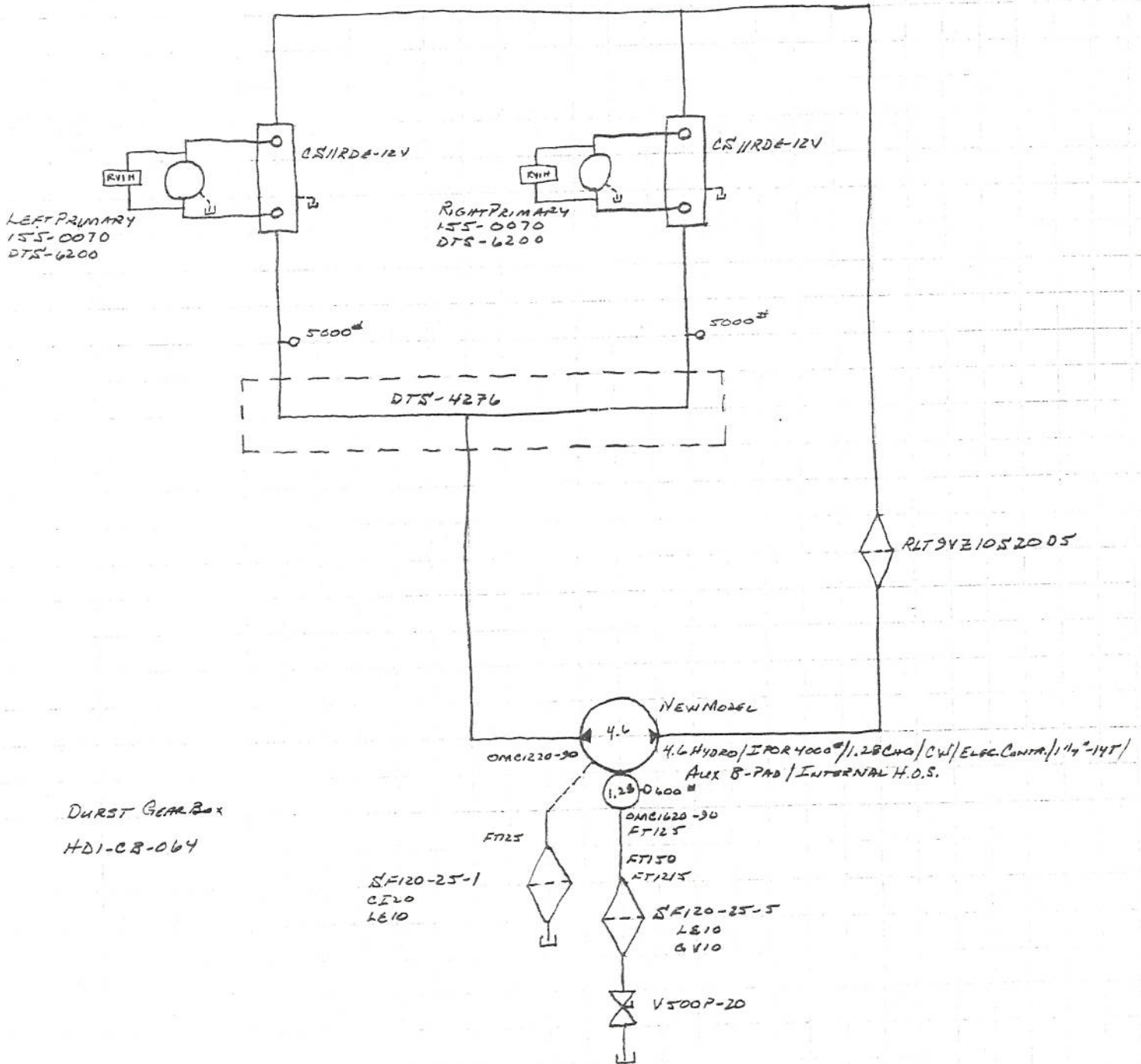
#02207

Submit

6RPTW

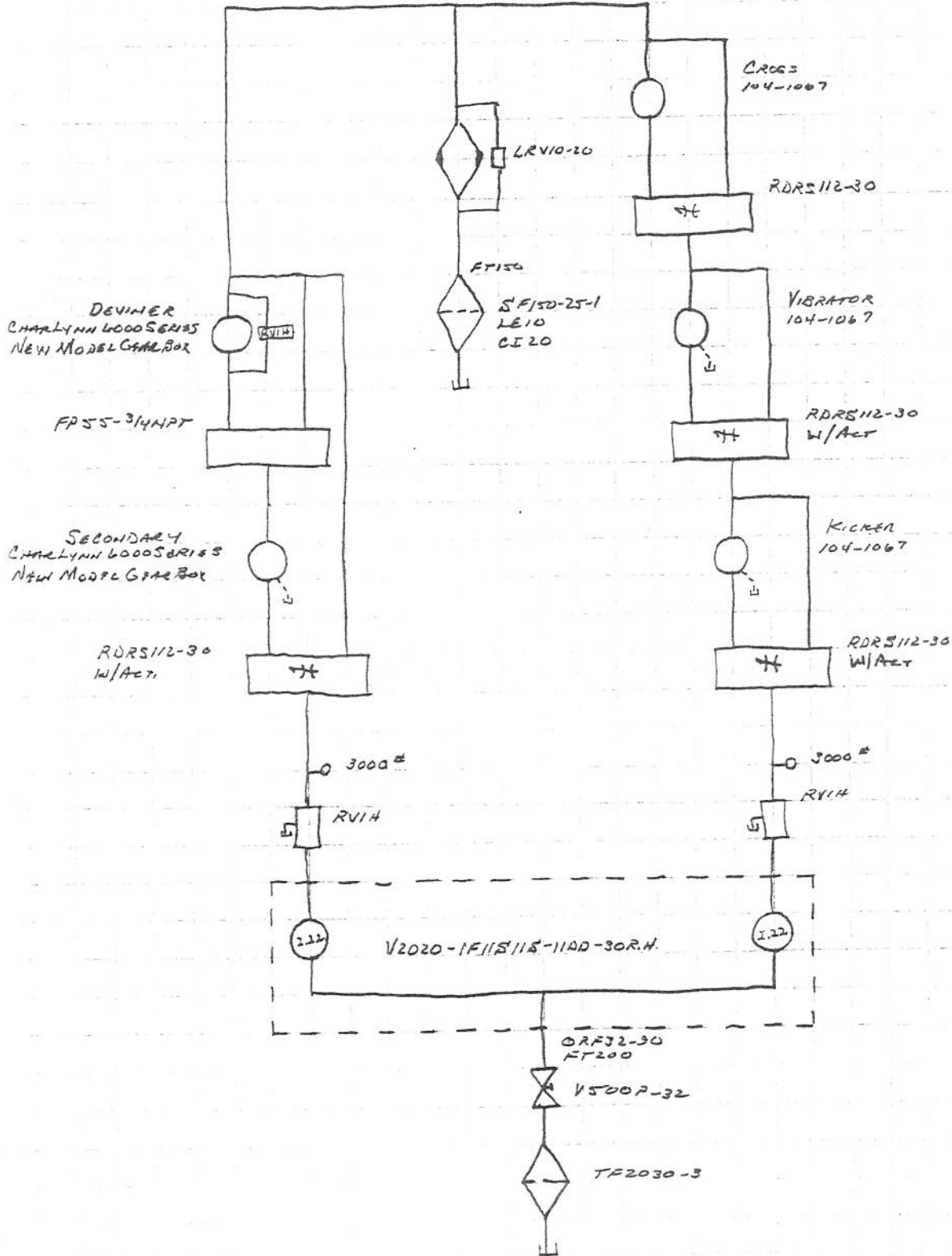
6 RPTW
 4.6 HYDRO - PRIMARY CIRCUIT

1/20/02
 6RPTW
 #02207
 SUMMIT FACMS



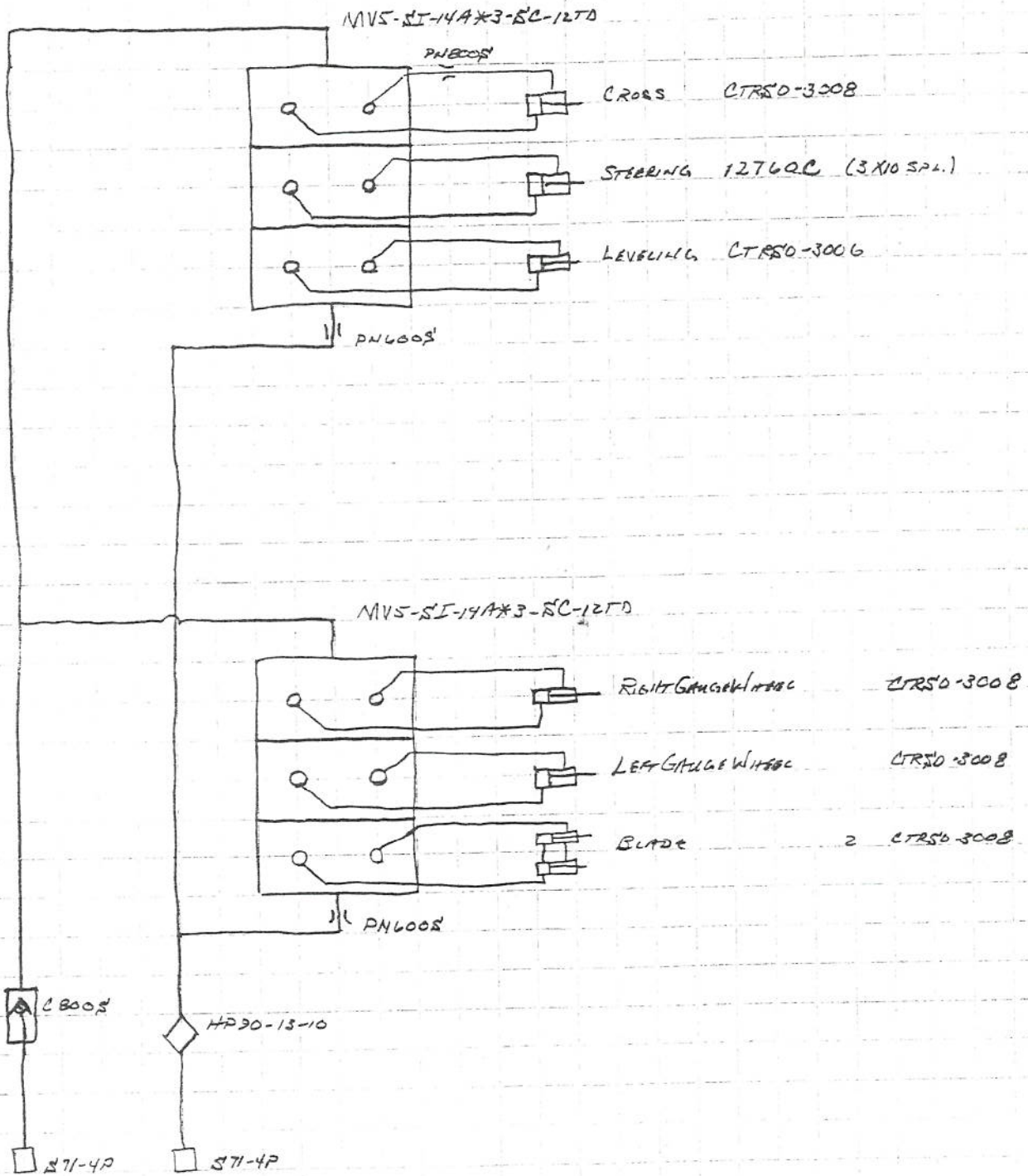
6RPTW
 SECONDARY - CROSS CIRCUITS

11/20/02
 6RPTW
 #02207
 SUMMIT FRANKS



2002 - 6RPTK
VALVE BANK CIRCUIT

11/20/02
6RPTK
402207
SUMMIT FIRMS



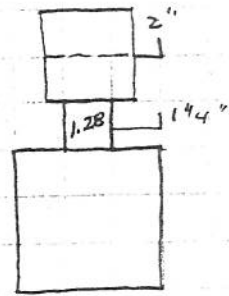
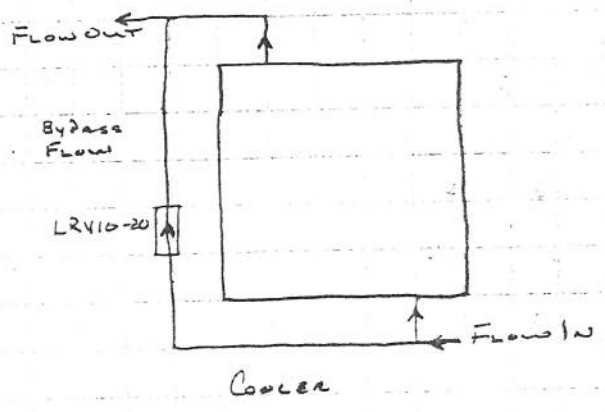
11/20/02
 6 RPTW
 402207
 SUMMIT FARMS

2002 PTW - HYDRAULIC OIL TANK

(3) ~~4x3 Bush~~
 TF2030-3 ✓
 2" CLS NIP ✓
 V500P-32 ✓
~~FT200~~
 * V2020

(2) ~~2" x 1 1/4" Bush
 1 1/4" CLS NIP
 V500P-20
 1 1/4" CLS NIP
 SF120-25-5
 FT1215
 * 4.6 HYDRO CHG.~~

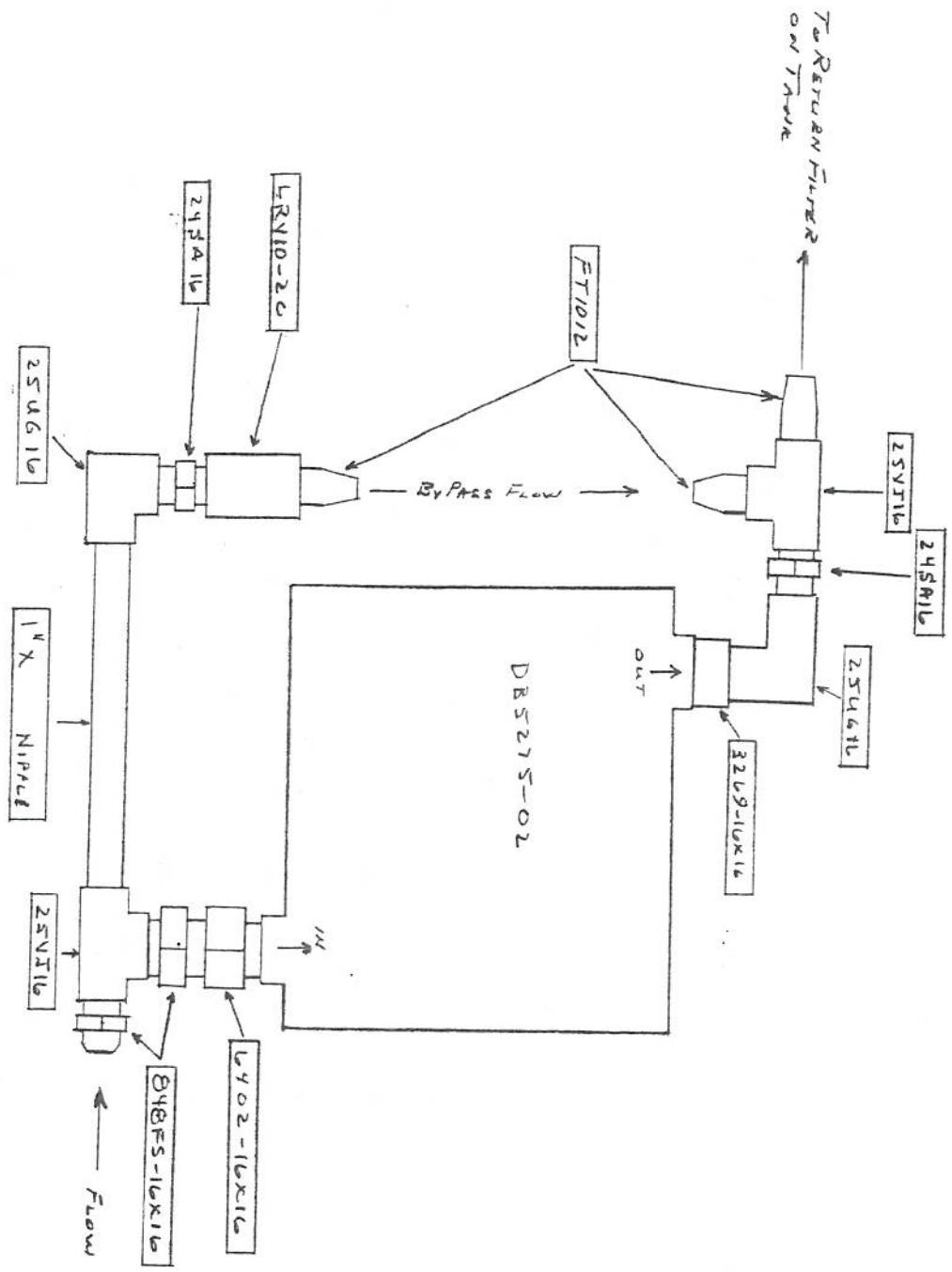
2" 90 steel
 2" x 1/2" Bush
 1 1/2" CLS NIPP.
 V500P 25? 1 1/2" Ball Valve
 1 1/2" BCLS NIPP
 SF150-50-5? 1 1/2" Filter head
 FT 150



V2020-1F11S11S-11DD-30 R.H.
 4.6 HYDRO / IPOR 4000² / 1.28 EUM CHG. / C.W. / ELEC. CONTR. / 1 1/4" - 14T /
 AUX B-PAD / INTERNAL H.O.S.
 NEW MODEL

DURST GEAR BOX
 1401-CB-064

2002 Pull Kinnower Cooler Hydraulic Pumps



02207 6RPTW Summit Farms			
100225	2 1/4" Steel Line Clamp	2.0000	
100050	1/2" Steel Line Clamp	18.0000	
100062	5/8" Steel Line Clamp	29.0000	
100087	7/8" Steel Line Clamp	16.0000	
100125	1 1/4" Steeline Clamp	2.0000	
100150	1 1/2" Steel Line Clamp	2.0000	
30009-019	RDRS 112 Mounting Bracket	2.0000	
30016-019	RV1H & L Bracket	1.0000	
30019-019	2 Section Valve Bank Bracket	1.0000	
30024-019	DTS4276 Mounting Bracket	1.0000	
30027-019	RDRS 112 Star Roll Mounting Br	3.0000	
30028-019	Reversing Valve Mounting Brack	2.0000	
ABAX1000-10	5/8" JIC x 5/8" Tube	12.0000	
ABAX1000-14-12	3/4" JIC x 7/8" Tube	16.0000	
BAX1200 10	5/8" Tube Union	4.0000	
BAX3100 10	1/2" NPT x 5/8" Tube Tee	2.0000	
EMT050	1/2" EMT Conduit	38.3300	
EMT075	3/4" EMT Conduit	17.6600	
HYDTB 08	1/2" Hydraulic Tubing	81.8300	
HYDTB 10	5/8" Hydraulic Tubing	51.8300	
HYDTB 14	7/8" Hydraulic Tubing	64.1600	