

14074

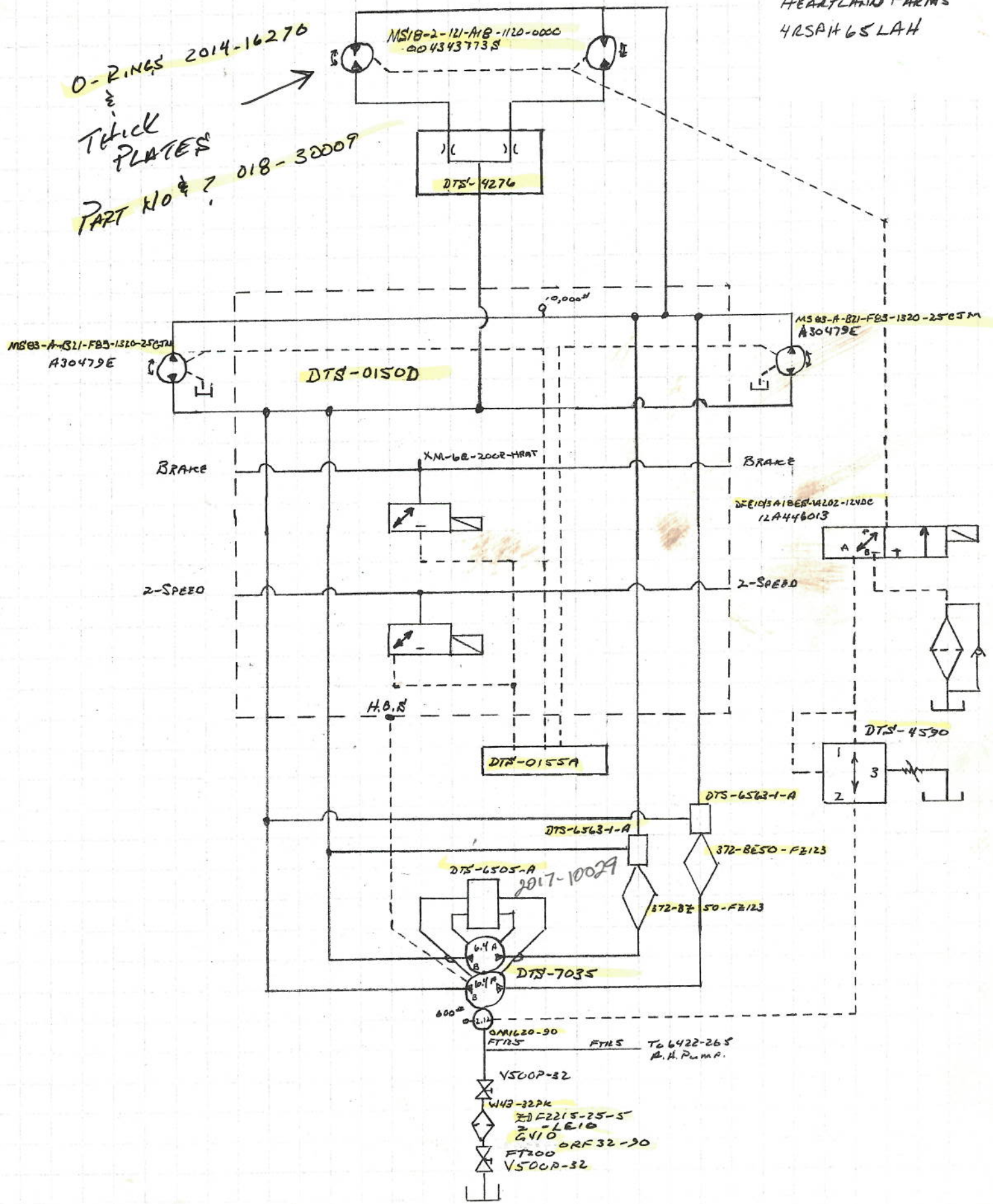
Hear Hand

4RSPH w/65" AH

1/9/14
 # 14074
 HEATLAND FARMS
 425A H 65 LAH

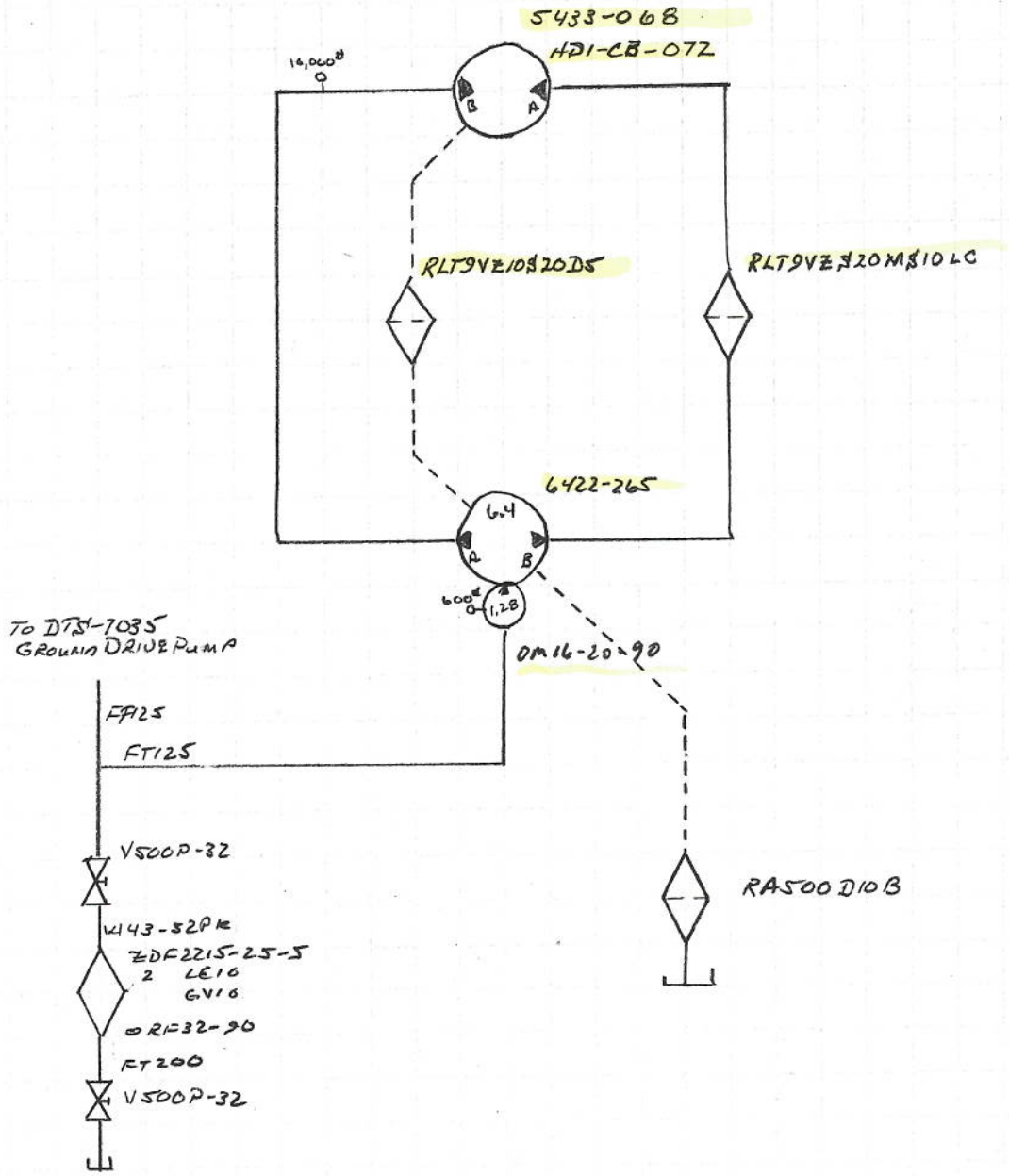
O-RINGS 2014-16276
 Thick
 PLATES

PART NO & ? 018-30009



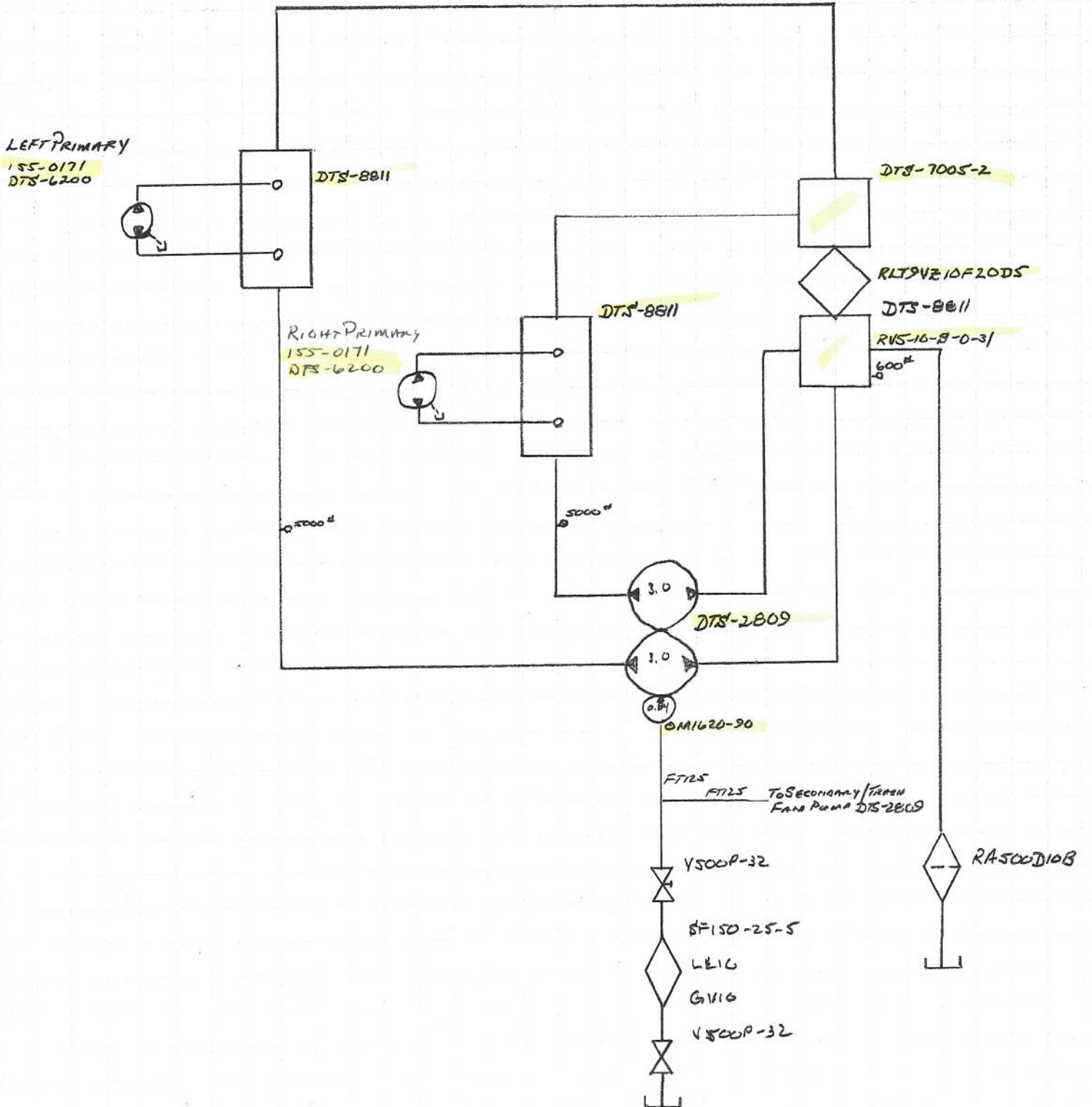
FT25 TO 6422-265
 P.A. Pump.
 V500P-32
 W43-32PK
 20F2215-25-5
 2-LE10
 2410
 0RF32-90
 V500P-32

1/9/14
#14074
HEARTLAND FARMS
42SP46SLAH

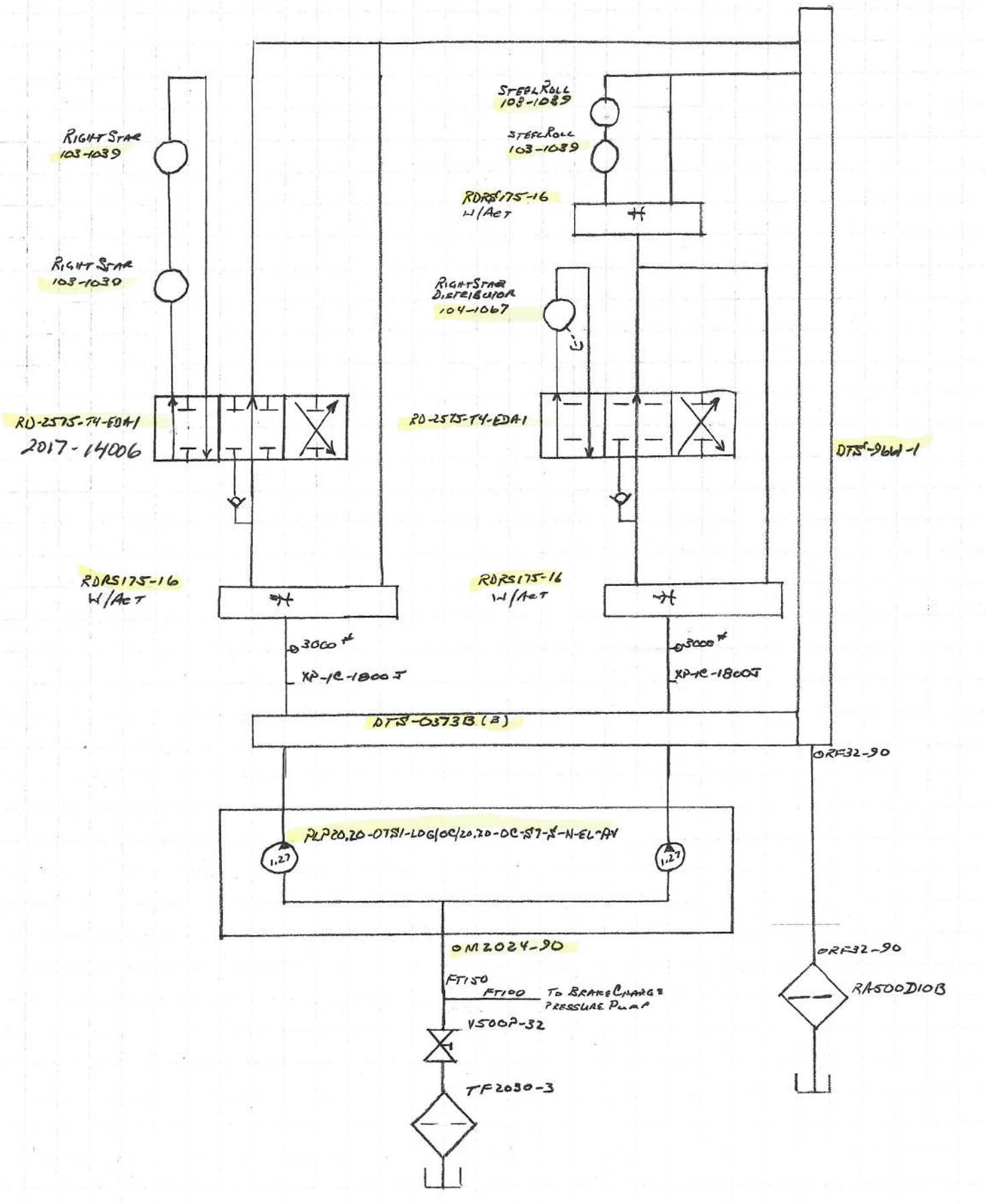


1/9/14

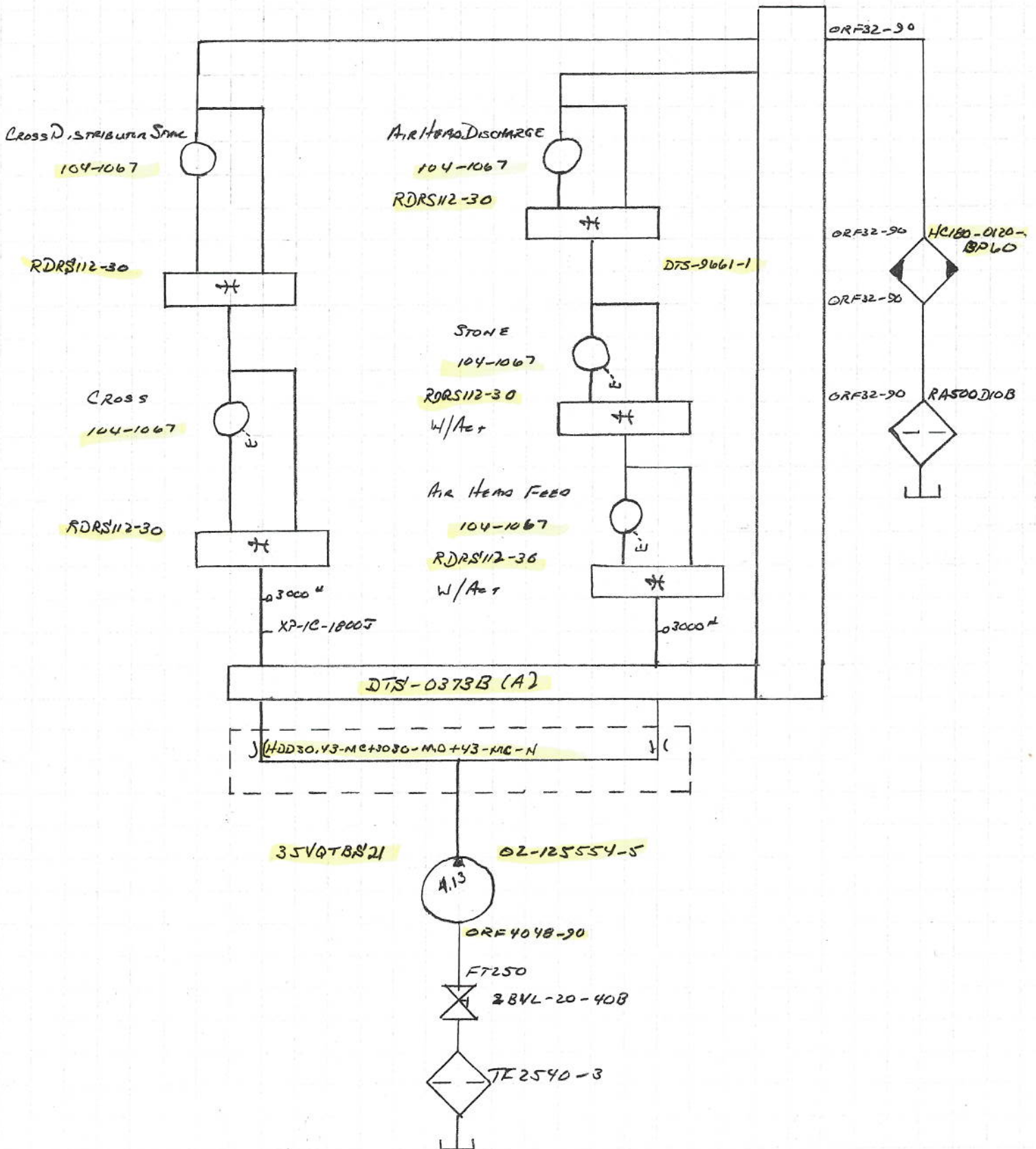
HEATING/COOLING FORMS
4RSPH 6SLAH



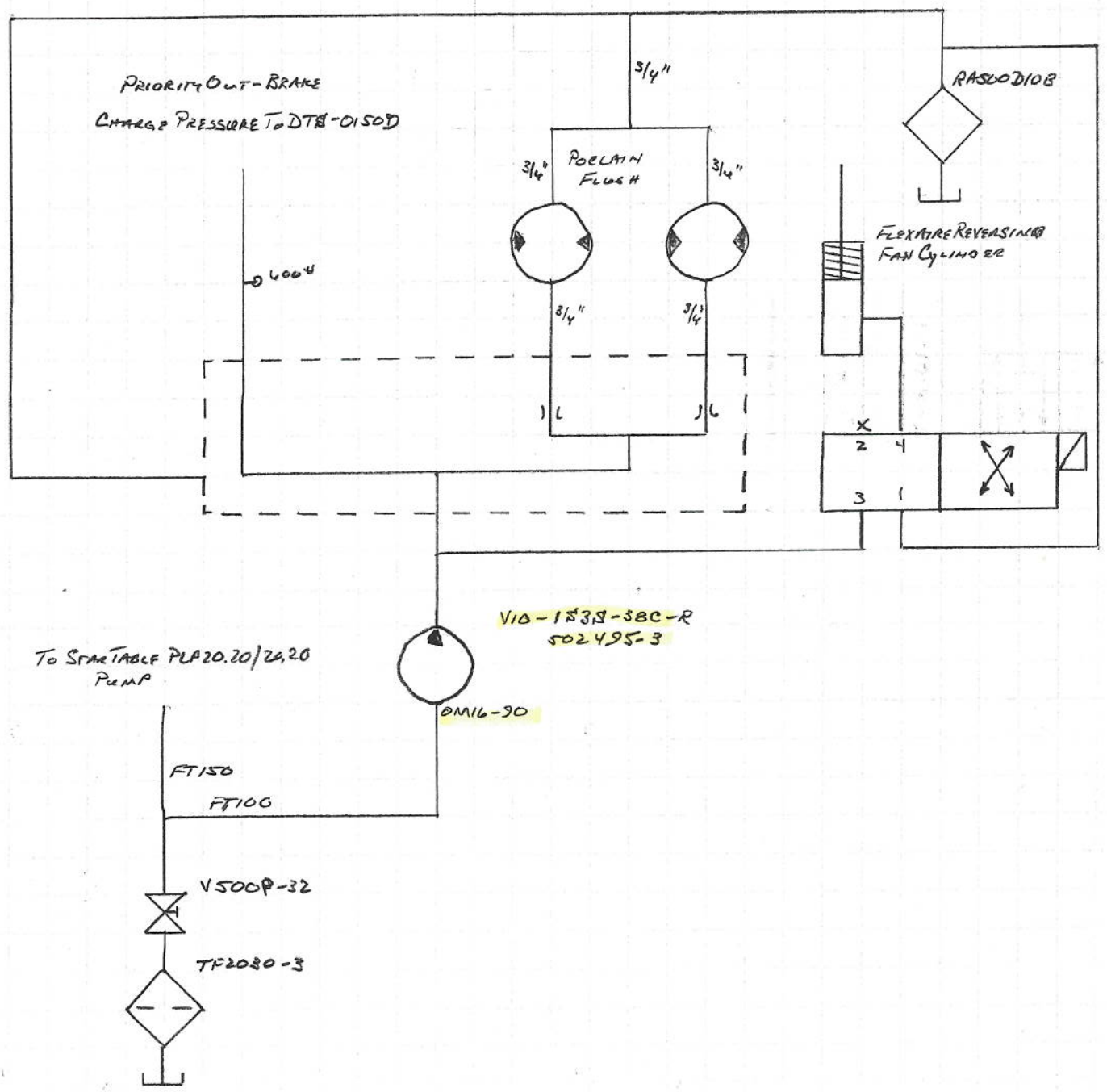
1/9/14 #14074
HEARTLAND FARMS
4RSPA6SLAH

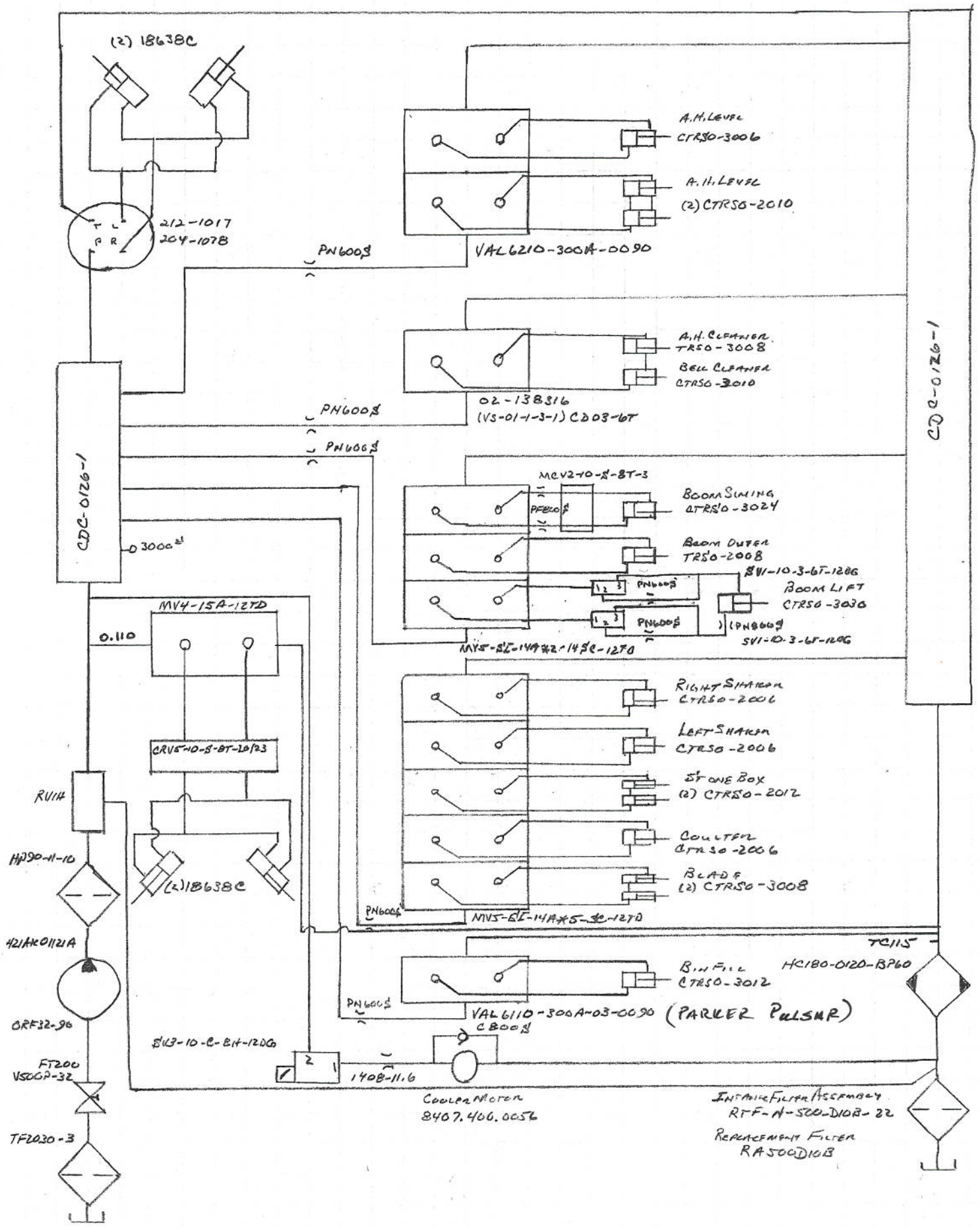


1/9/14 E14074
HEARTLAND FARMS
9RSPH6SLAH



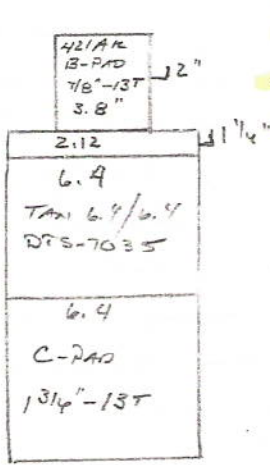
11/9/14
#14074
HEARTLAND FARMS
4RSP46SLAH



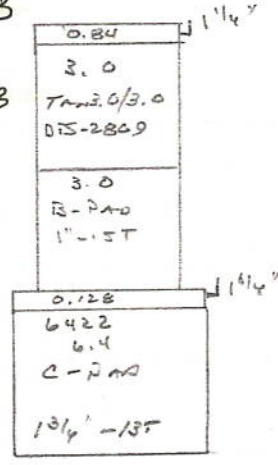


- | | | | | | |
|--|--|---|---|---|---|
| <p>4"
 TF2540-3
 2 1/2" 90° STEEL
 2 1/2" CLS. NIP.
 2 BVL20-40B
 FT250
 * 35VQTRF</p> | <p>3"
 3" X 2" Bush
 2" CLS NIP
 V500P-32
 FT200
 GRP32-90
 ZDF2215-25-5
 W48-32PK-2"
 2" 90° STEEL
 2" CLS NIP
 V500P-32
 2" CLS NIP
 2" TEE T/O
 X 2" X 1 1/4" Bush
 FT125
 * TAN 6.4/6.4
 * 6.4</p> | <p>3"
 TF2030-3
 2" CLS. NIP.
 V500P-32
 2" 90° STEEL
 FT200
 * 421AK</p> | <p>3"
 TF2030-3
 2" 90° STEEL
 2" CLS NIP
 V500P-32
 2" CLS NIP
 2" TEE T/O
 X 2" X 1 1/2" Bush
 FT150
 * TRIP. PUMP
 O 2" 90° STEEL
 2" X 1 1/2" Bush
 FT150
 * TRIP. PUMP</p> | <p>3"
 TF2030-3
 2" 90° STEEL
 2" CLS NIP
 V500P-32
 2" CLS NIP
 2" TEE T/O
 X 2" X 1 1/2" Bush
 FT150
 * TAN. PUMP
 O 2" 90° STEEL
 2" X 1" Bush
 FT100
 * V10</p> | <p>4"
 4" X 2" Bush
 2" 90° STEEL
 2" CLS NIP
 V500P-32
 2" X 1 1/2" Bush
 1 1/2" CLS. NIP
 SF150-25-5
 1 1/2" CLS. NIP
 2" X 1 1/2" Bush
 V500P-32
 2" CLS NIP
 2" TEE T/O
 X 2" X 1 1/4" Bush
 1 1/4" - 45° STEEL
 FT125
 * TAN 3.0/3.0
 * 2" X 1 1/4" Bush
 FT125
 * TAN 3.0/3.0</p> |
|--|--|---|---|---|---|

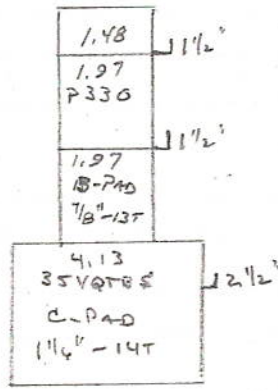
2-HC100
 8-HC125
 6-HC138
 20-HC187
 4-HC238



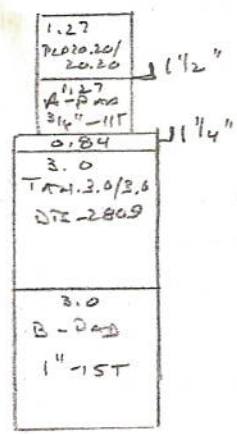
L.R.



L.L.



T.R.



T.L.

- | | |
|-------------------|------------------------|
| LR-TANDEM 6.4 | GROUND DRIVE |
| 421AK | STEERING |
| L.L.-SINGLE 6.4 | AIR LEAD |
| DIS-2809 | SECONDARY |
| T.R. 35VQTRF | TRASH FAN |
| TRIPLE COMB. | CROSS |
| | SIDE |
| | RIM FILL |
| | BIN UNLOAD |
| | LEFT STAR TABLE |
| T.L. DIS-2809 | LEFT PRIMARY |
| | RIGHT PRIMARY |
| TANDEM P/LP 20.20 | RIGHT STAR TABLE |
| V10 | RIGHT STAR TABLE DIST. |
| | BRAND CIG. PRESS. |
| | POCLAIN FLUENT. |
| | ENG. COOL. FAN REV. |

Duct - D13387 4P009-120I-MH-BB04-CC4-CE4-CE4-L5
 DRIVE PLATE-TORSION CONNORS 19310

V10 0.6 1"
 ENGINE QS X 15-520HD

1/3/14
214674
HEART LAMIN FORMS
4RSPH6SLAH

MS'8-2

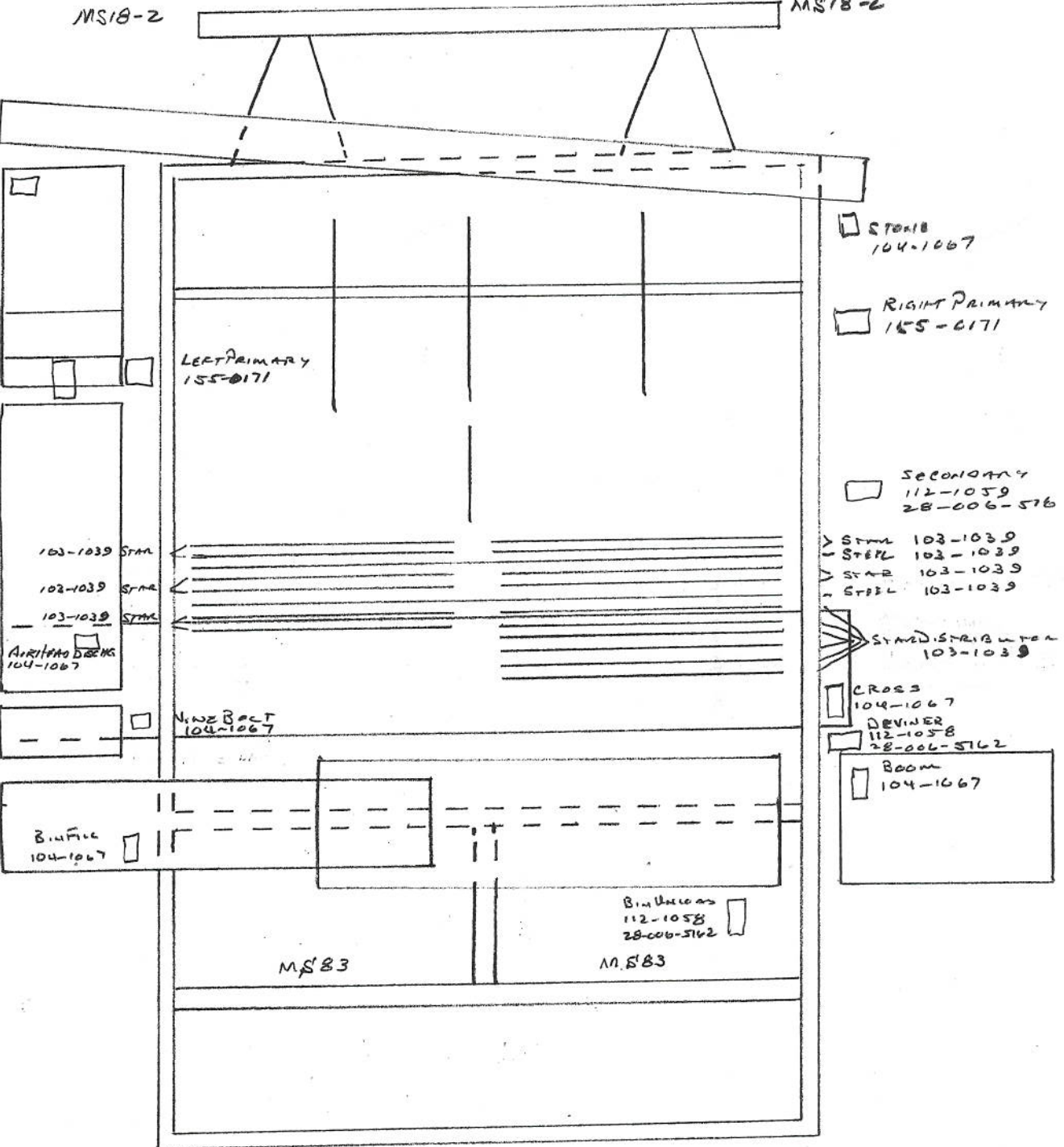
MS'8-2

Air Handler
104-1067

Air Handler
5433-068
H21-CB-072

STAIRWELL
103-1039
STAIR ROLL
101-1027

DISTRIBUTOR
ROLLS
104-1067
TRASH PAN
74318-DAH



STAIR
104-1067

RIGHT PRIMARY
165-0171

SECONDARY
112-1058
28-006-5162

STAIR 103-1039
STAIR 103-1039
STAIR 103-1039
STAIR 103-1039

STAIR DISTRIBUTOR
103-1039

CROSS
104-1067
DEVICER
112-1058
28-006-5162

ROOM
104-1067

MS'83

MS'83

1/14/14
#14074
HARTLAND FARM
ARSDHUSLAN

