

#14075

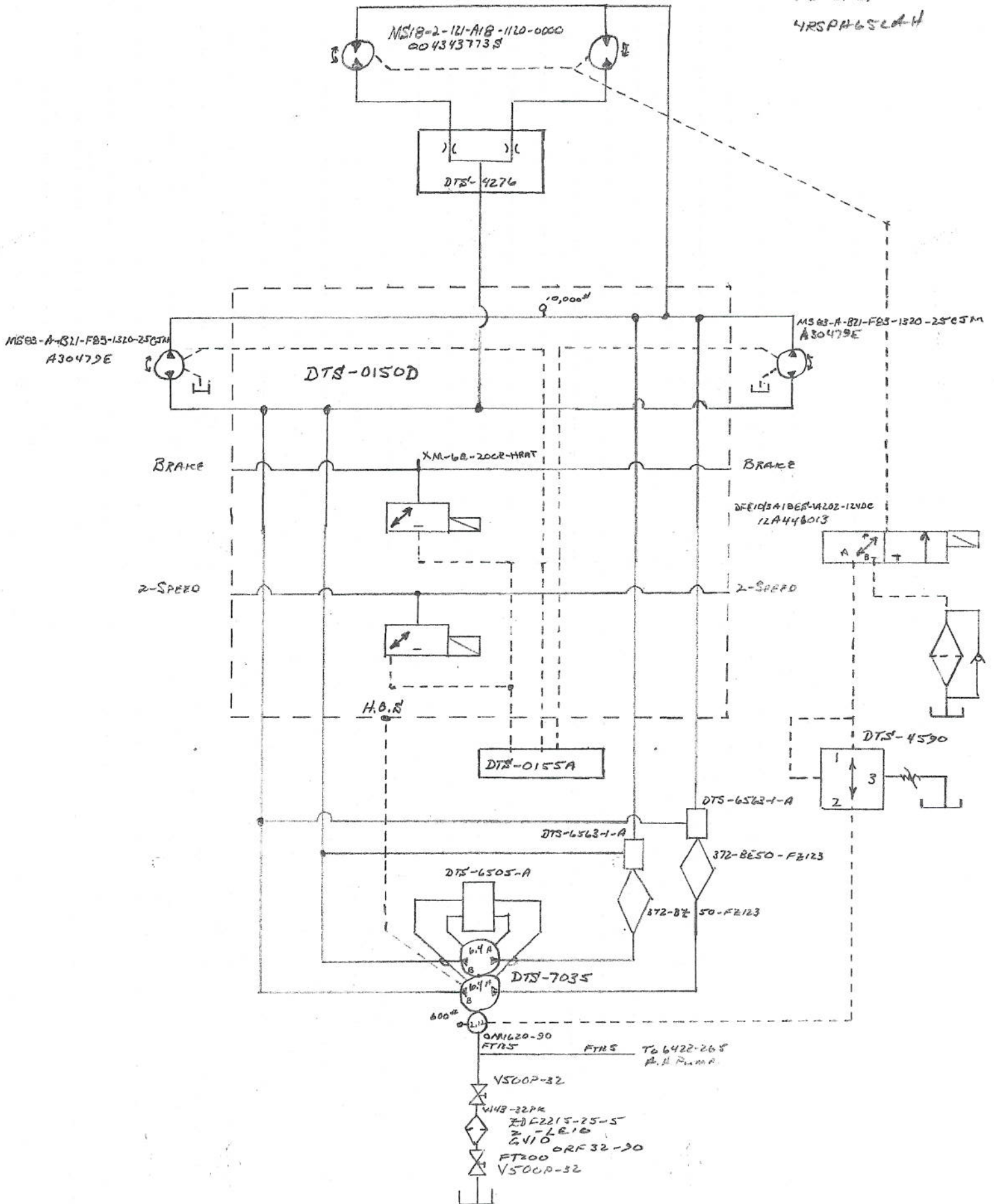
Topling Farms

CRSP H W/65" AH

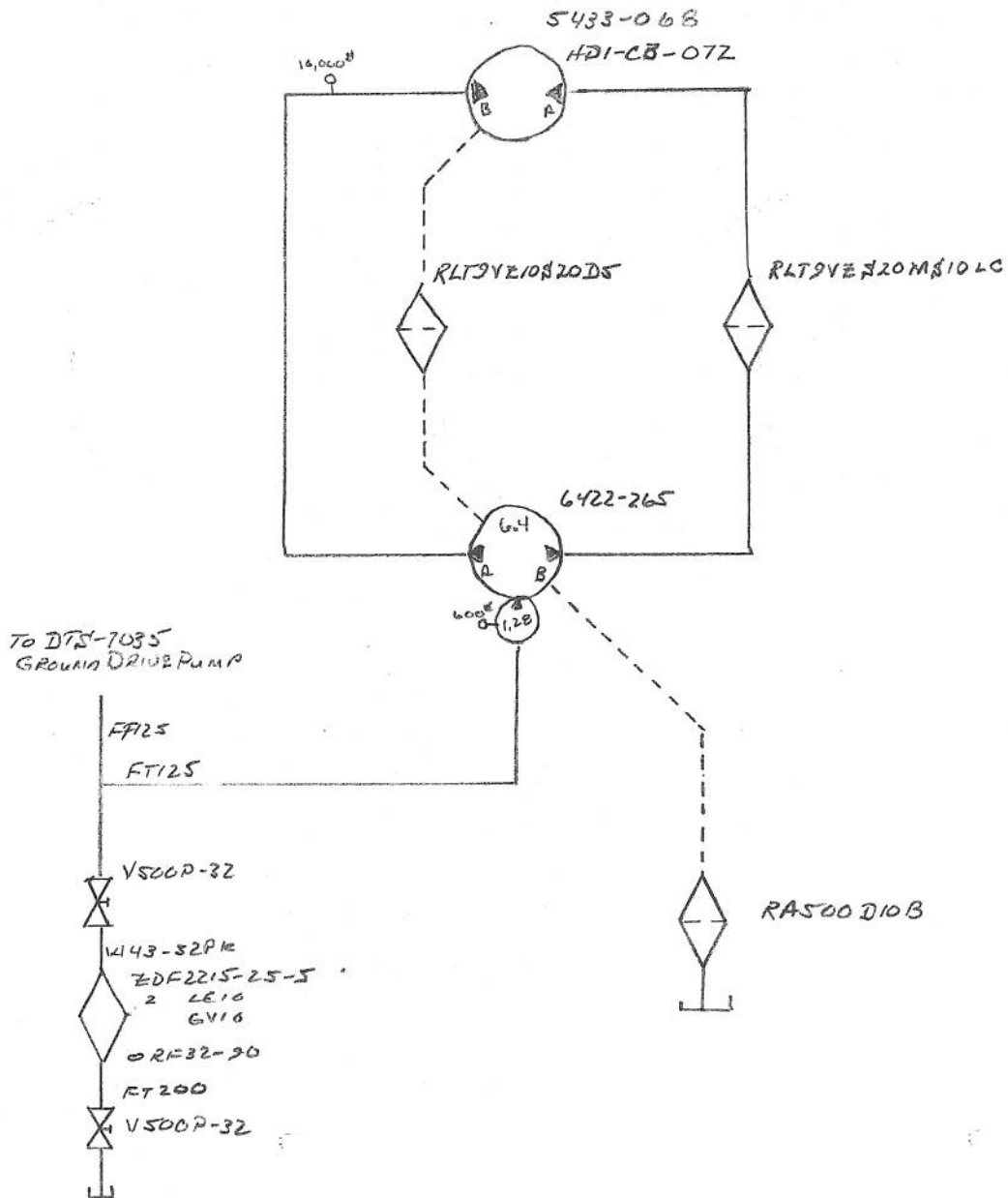
| | | |
|-------------------------|--------------------------------------|--------|
| 0 | | 10,000 |
| GROUND DRIVE | | |
| | 0 | 600 |
| | GROUND DRIVE CHARGE | |
| 0 | | 10,000 |
| AIRHEAD | | |
| | 0 | 600 |
| | AIRHEAD CHARGE | |
| 0 | | 600 |
| BRAKE CHARGE | | |
| | 0 | 3,000 |
| | STEERING | |
| 0 | | 5,000 |
| LEFT PRIMARY | | |
| | 0 | 5,000 |
| | RIGHT PRIMARY | |
| 0 | | 600 |
| PRIMARY CHARGE | | |
| | 0 | 5,000 |
| | SECONDARY | |
| 0 | | 600 |
| SECONDARY CHARGE | | |
| | 0 | 3,000 |
| | LEFT STAR TABLE | |
| 0 | | 3,000 |
| RIGHT STAR TABLE | | |
| | 0 | 3,000 |
| | RIGHT STAR TABLE DISTRIBUTORS | |
| 0 | | 3,000 |
| CROSS | | |
| | 0 | 3,000 |
| | AIRHEAD FEED | |
| 0 | | 3,000 |
| BIN FILL | | |
| | 0 | 3,000 |
| | BIN UNLOAD | |

| | |
|--------------------------------------|--------|
| 0 | 10,000 |
| GROUND DRIVE | |
| 0 | 600 |
| GROUND DRIVE CHARGE | |
| 0 | 10,000 |
| AIRHEAD | |
| 0 | 600 |
| AIRHEAD CHARGE | |
| 0 | 600 |
| BRAKE CHARGE | |
| 0 | 3,000 |
| STEERING | |
| 0 | 5,000 |
| LEFT PRIMARY | |
| 0 | 5,000 |
| RIGHT PRIMARY | |
| 0 | 600 |
| PRIMARY CHARGE | |
| 0 | 5,000 |
| SECONDARY | |
| 0 | 600 |
| SECONDARY CHARGE | |
| 0 | 3,000 |
| LEFT STAR TABLE | |
| 0 | 3,000 |
| RIGHT STAR TABLE | |
| 0 | 3,000 |
| RIGHT STAR TABLE DISTRIBUTORS | |
| 0 | 3,000 |
| CROSS | |
| 0 | 3,000 |
| AIRHEAD FEED | |
| 0 | 3,000 |
| BIN FILL | |
| 0 | 3,000 |
| BIN UNLOAD | |

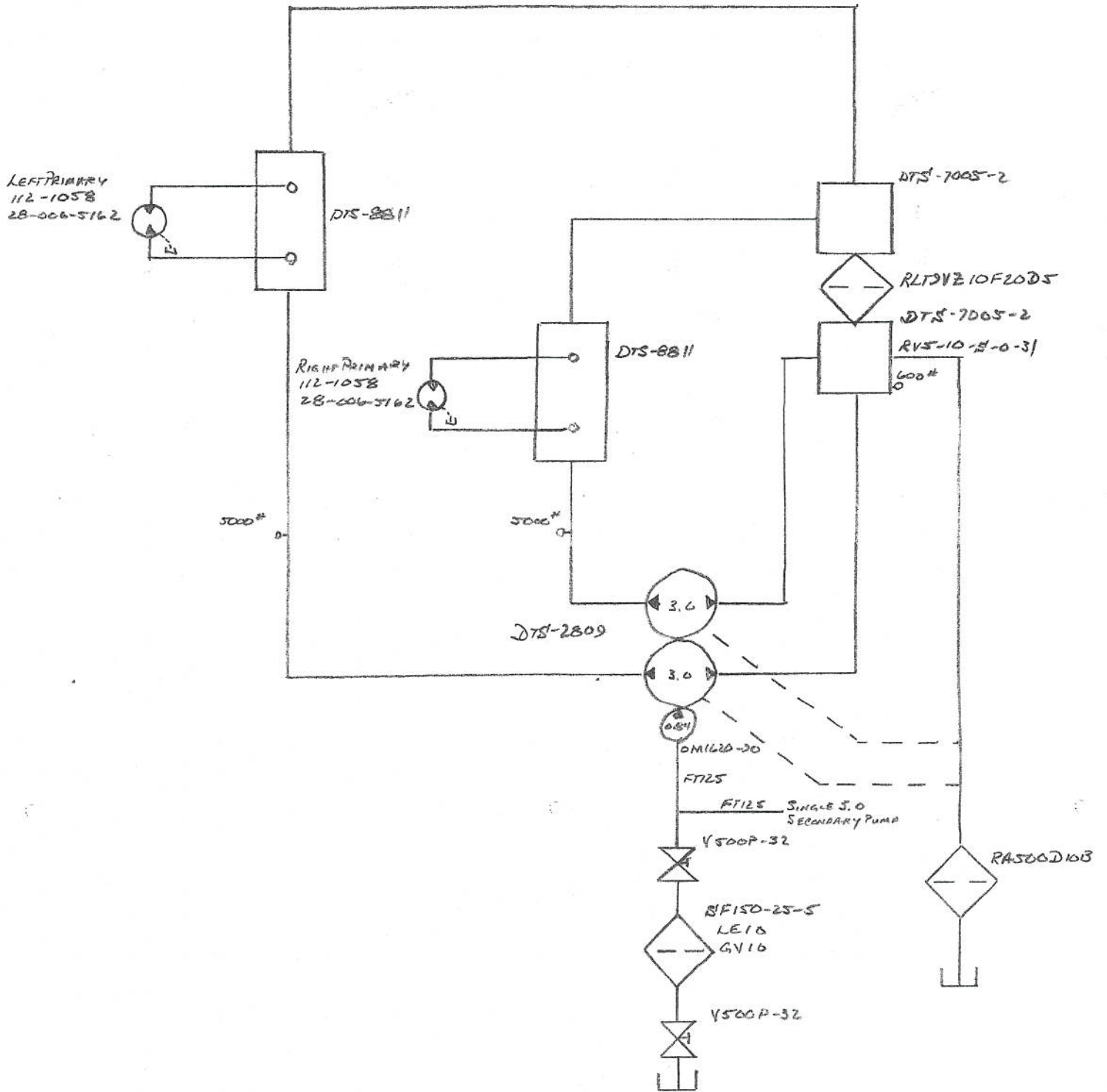
1/13/14
 E/4075
 TURNING FORMS
 4RSPH65LAH



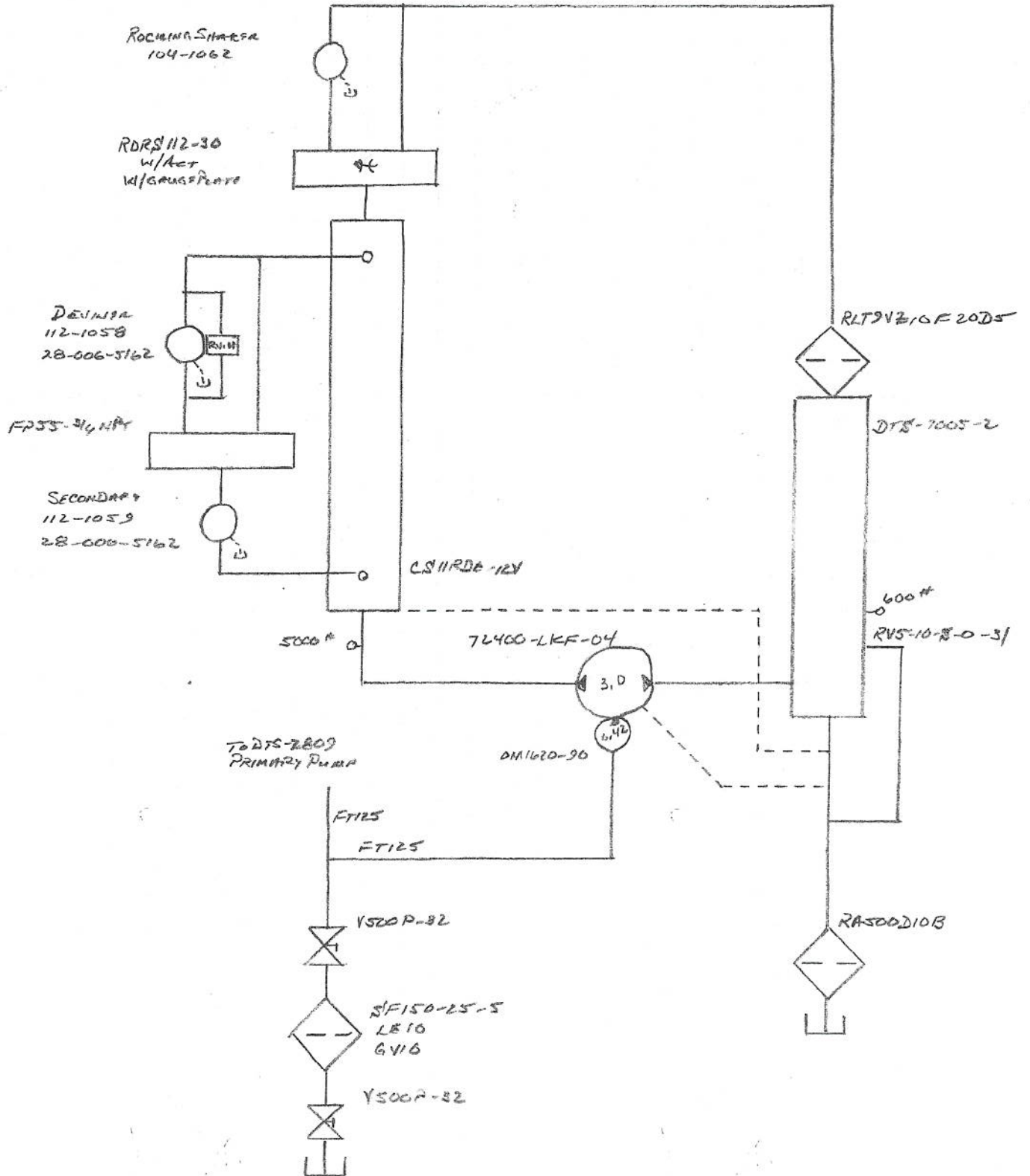
1/13/14
 #14075
 TURLING FARM S
 4RSPH 6SLPH



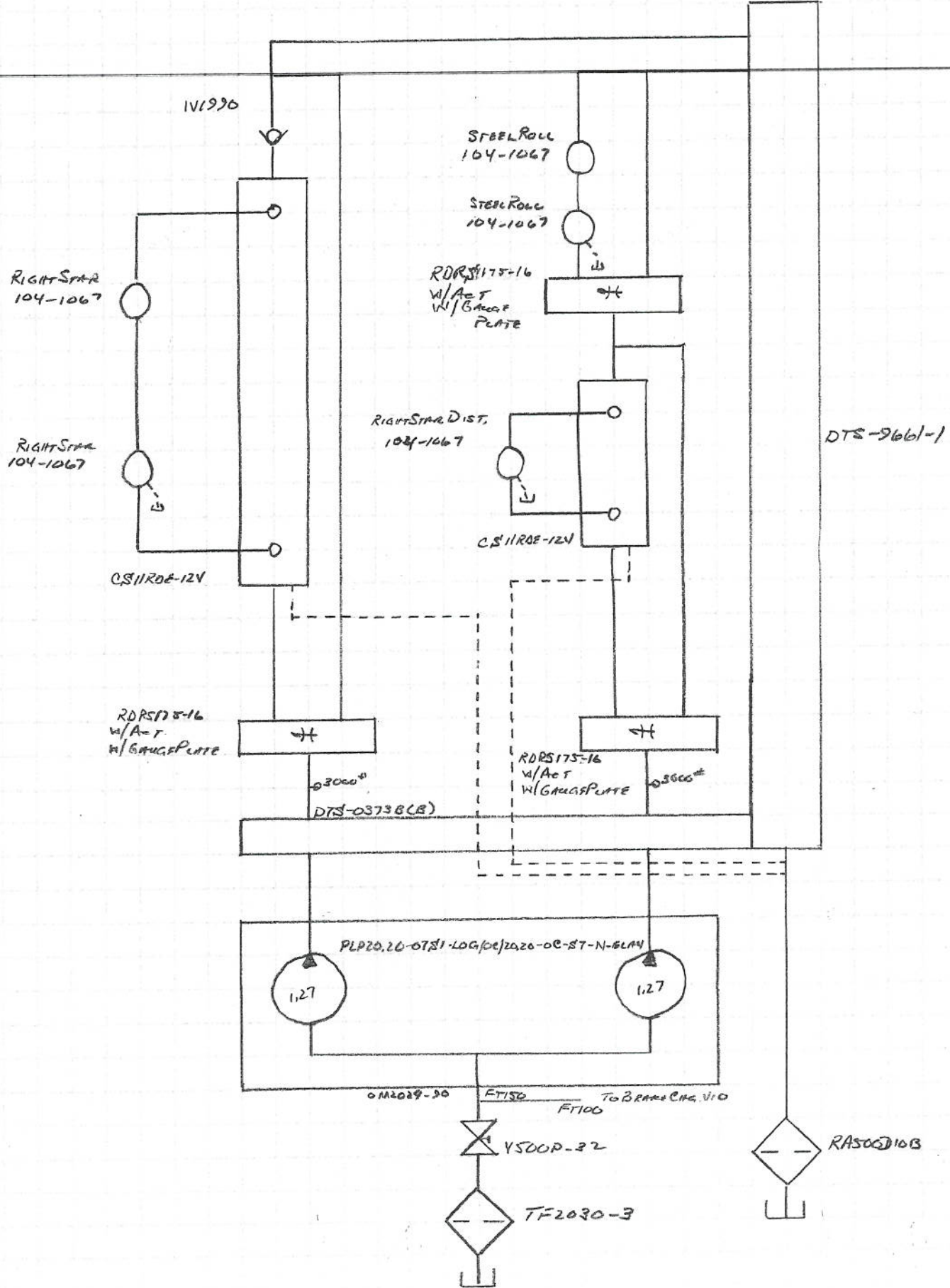
1/13/14
 E14075
 TUALUM FARM
 ARSR#65CAM



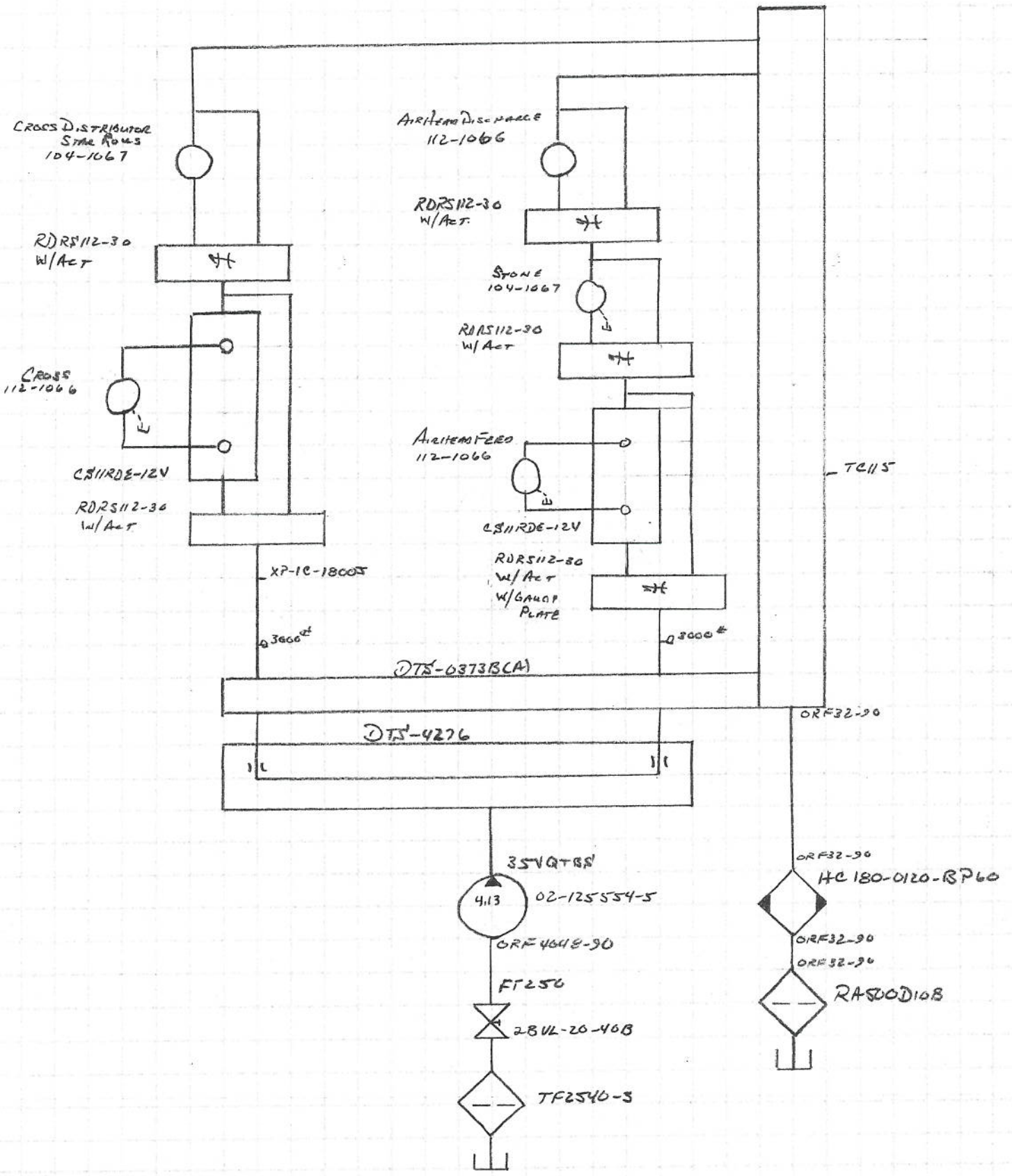
1/13/14
 E14075
 TURNING FARMS
 GREAT PLAINS



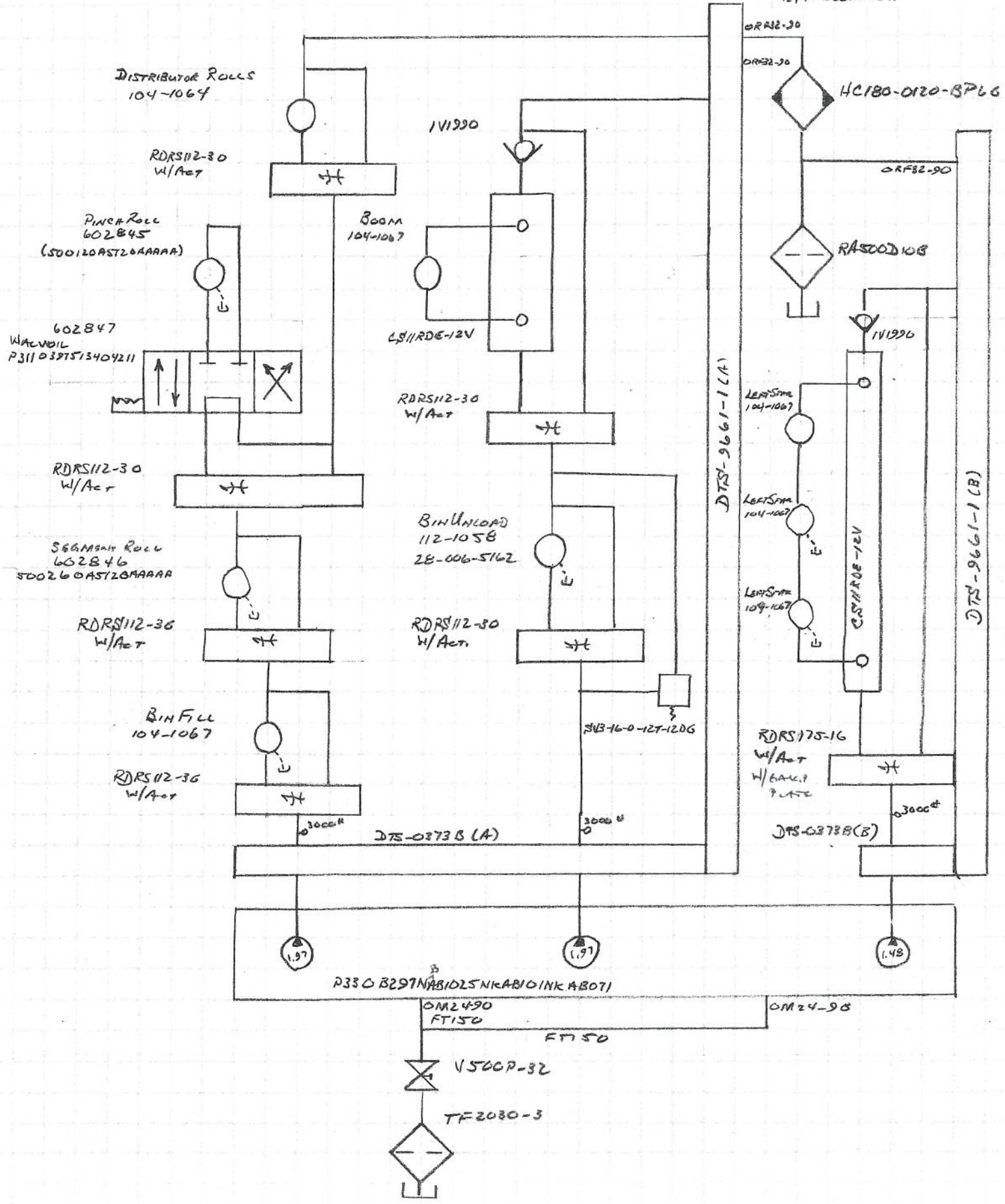
4/14/14 #14075
TUPPING FANS
4RSPH652AH



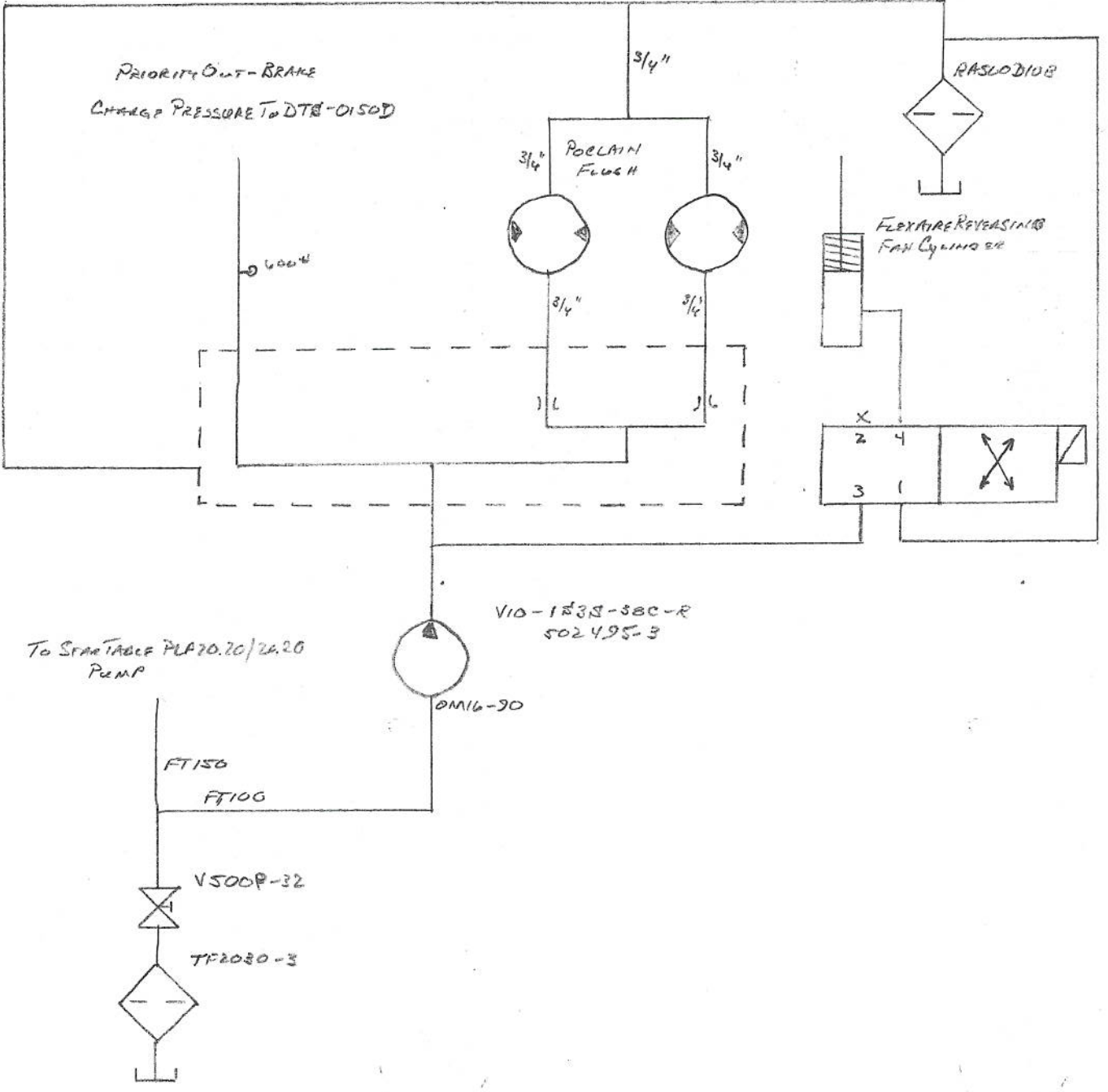
4/28/14 E14075
 TUPLING FARMS
 4RSPH63LAH
 REV. 1 - CROSS REV.

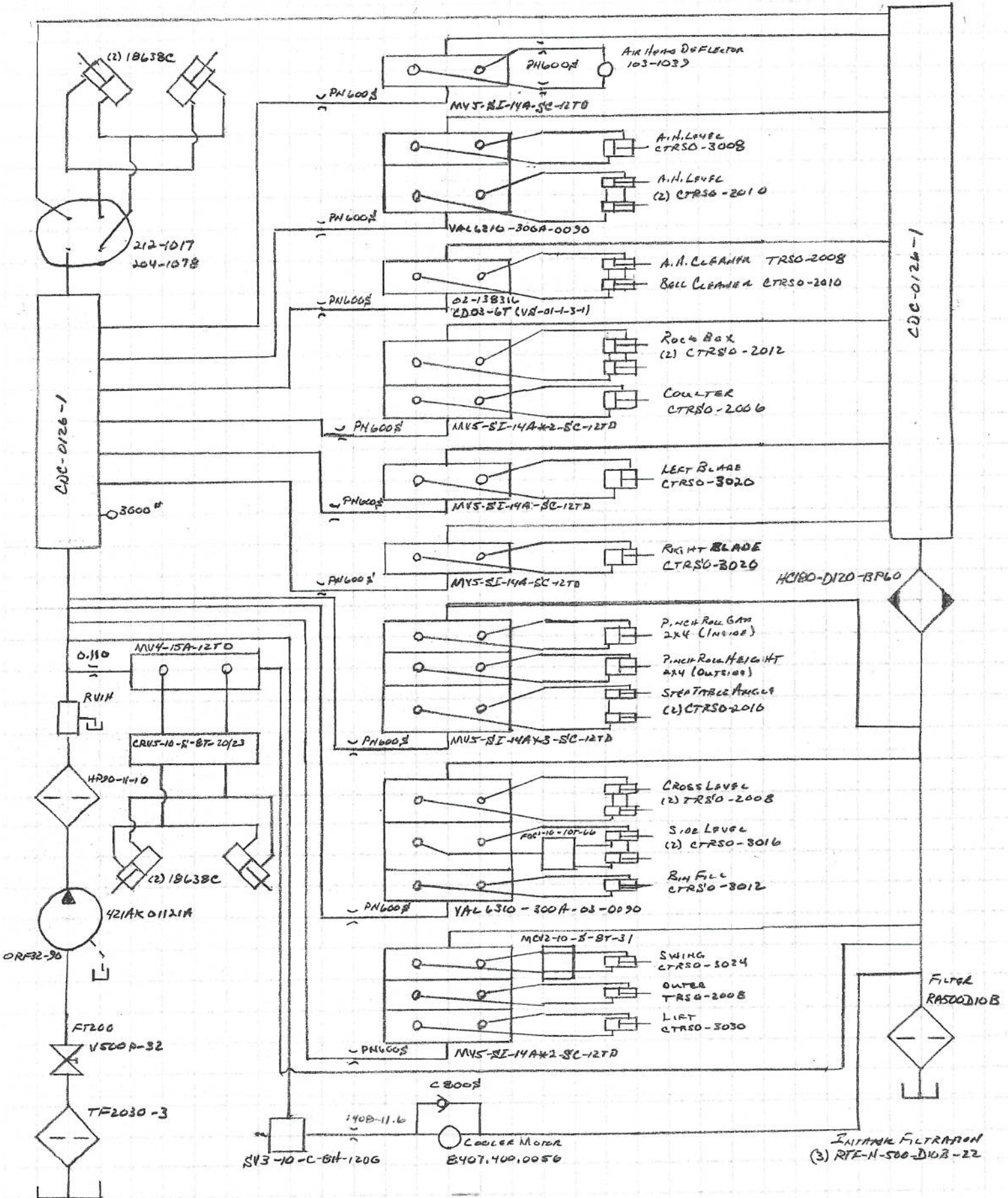


4/28/14 #14075
 TULLING FARMS
 4RSPALLSLAH
 REV 1 - BOOM REV.



1/13/14
 #14675
 TUALING FARMS
 4R8PA65LH





1/14/14 1214075
 TURLING FARMS
 4RSPH 65LAK

④
 TF2510-3
 2 1/2" 90° Steel
 2 1/2" CUS NIP
 2 BVL20-40B
 FT250
 * 35VQTB

③
 3" X 2" Bush
 2" CUS NIP
 V500P-32
 FT200
 CRF32-30
 #2F22S-25-S
 W43-32P
 2" 90° Steel
 2" CUS NIP
 V500P-32
 2" CUS NIP
 2" TEE L-O
 X 2" X 1 1/4" Bush
 FT125
 2" 90° Steel
 2" X 1 1/4" Bush
 FT125

* TAN 6.4/6.4 * 6.4

③
 TF2030-3
 2" CUS NIP
 V500P-32
 2" 90° Steel
 FT200
 * 421AK

③
 TF2030-3
 2" 90° Steel
 2" CUS NIP
 V500P-32
 2" CUS NIP
 2" TEE L-O
 2" X 1 1/2" Bush
 X FT150
 * TRIP330
 2" 90° Steel
 2" X 1 1/2" Bush
 FT150

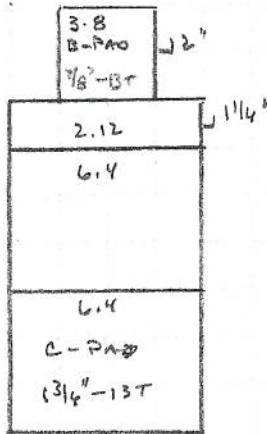
* TRIP330

③
 TF2030-3
 2" 90° Steel
 2" CUS NIP
 V500P-32
 2" CUS NIP
 2" TEE L-O
 X 2" X 1 1/2" Bush
 FT150
 * TAN PLP20.20
 2" 90° Steel
 2" X 1" Bush
 FT100

* V10

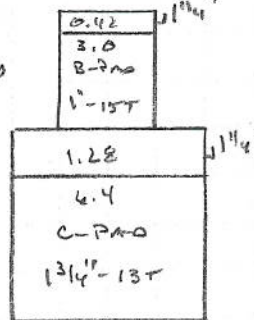
④
 4" X 2" Bush
 2" 90° Steel
 2" CUS NIP
 V500P-32
 2" X 1 1/2" Bush
 1 1/2" CUS NIP
 SF150-25-S
 1 1/2" CUS NIP
 2" X 1 1/2" Bush
 V500P-32
 2" CUS NIP
 2" TEE L-O
 X 2" X 1 1/4" Bush
 1 1/4" - 45° STEEL
 FT125
 * TAN 3.0/3.0
 2" X 1 1/4" Bush
 FT125
 * SINGLE 3.0

421AK



L.R. 'C' PAD

SINGLE 3.0



L.L. 'C' PAD

L.R. TANDEM 6.4

GROUND PAISE

421AK

STEERING CIRCUIT

L.L. SINGLE 6.4

ATTACH

SINGLE 3.0

SECONDARY

T.R. 35VQTB

F.D. CROSS
 AIR HOP FEED

P330

FRONT - BIN FILL

MID - BIN UNLOAD

REAR - LEFT SPAN TABLE

T.L. TANDEM 3.0

FRONT - RIGHT PRIMARY

REAR - LEFT PRIMARY

TANDEM PLP20.20 FRONT - RIGHT SPAN TABLE

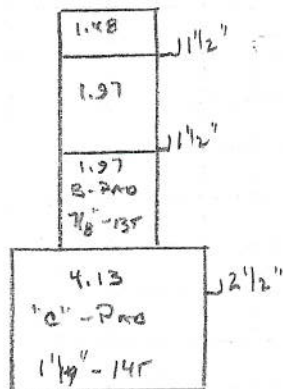
REAR - RT. SPAN / STORAGE

ENGINE V10

BRAKE CHARGE PRESSURE/
 FLASHING

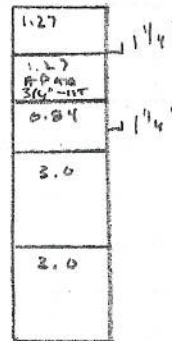
TAN 6.4/6.4

P330



T.R. 'C' PAD

TAN PLP20.20



T.L. 'B' PAD

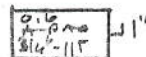
TAN 3.0/3.0

Duct - D13387

4RDOJ-1.20I-N11-BBCH-CCN-CEH-CEH-L5

TORSION CONTROL 19310

ENGINE - CUMMINS QPSX-15 520 HP

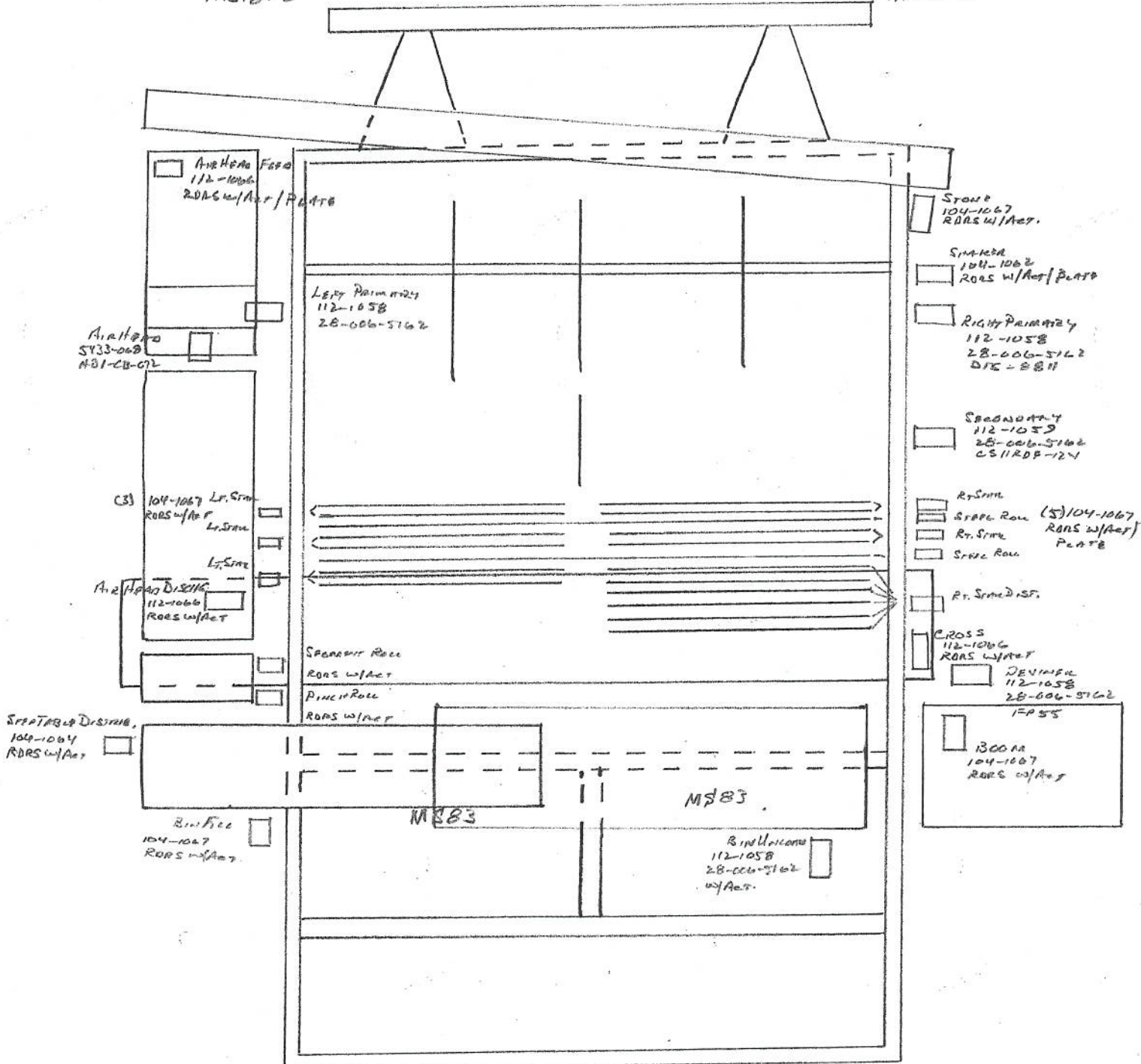


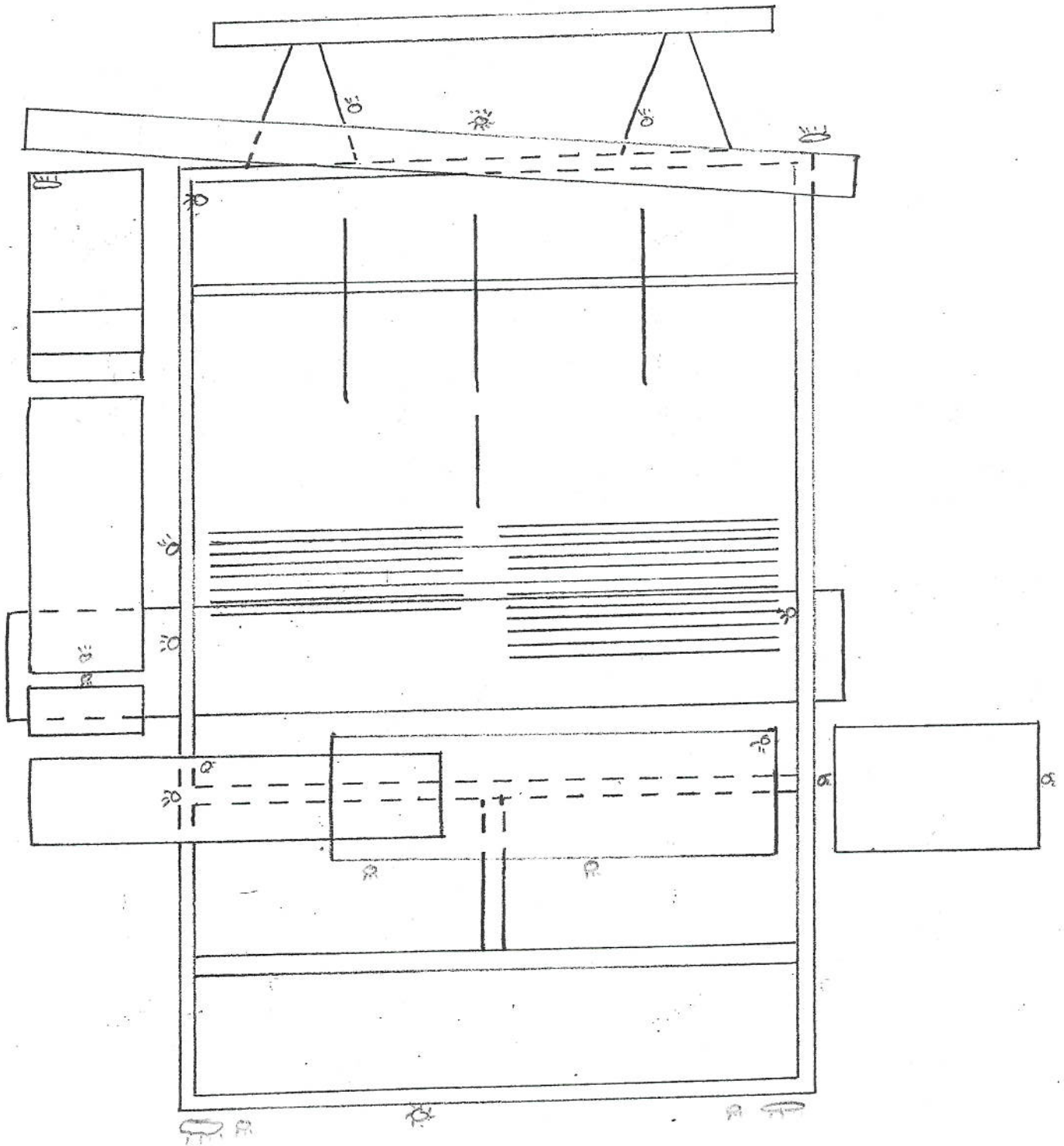
ENGINE DRIVE

1/14/14
 #14075
 TYRRELL FARMS
 WRSO46SLAH

MS16-2

MS16-2





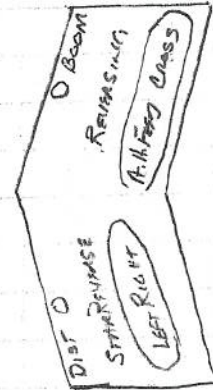
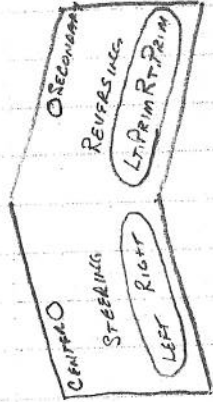
BIN FILL
 STOMPER BOX
 ARETHRO CONTROL AUTOMATIC
 ON
 LEVEL W/ANCH
 TRAIL MODE
 ARETHRO DEFLECT
 EMPTY SPEED
 MANUARE AUTOMATIC MANUARE MAINTZ

S P A E E D C O N T R O L S
 ARETHRO JUMP
 OFF SPEED
 LEFT
 RIGHT
 PRIMARY SECONDARY
 STAIR TABLE
 LEFT
 RIGHT
 DISTROUS. SPEED SPACE

C O H V E Y O R S
 MASTER PRIMARY SECONDARY STAIR TABLE CROSS A.H.FEED BIN/FULL BIN/BOOM ROOM
 STEPTABLE SPEEDS
 BIN/FULL SECONDARY P.I.N.C.H. D. SPRINGERS
 SPEED ROLL ROLL

SPEED
 CROSS (CROSS) DIST.
 ARETHRO (CROSS) SPEED
 FEED DISCHARGE
 BIN
 ARETHRO LOWER
 HUNASHTER
 BOOM
 LOWER

P.I.N.C.H. ROLL B O O M
 HEIGHT GAP OUTER LIFT SWINGS
 B L A D E
 LEFT
 RIGHT
 BOTH
 STEPTABLE
 ANGLE



5/7/17
 214075
 TUPUNA FARMS
 YRSP #65CAH

