

15079

Mortenson

4RSPH 4/65" AH

# Advanced Farm Equipment, LLC

Customer MORTENSON

W/O#

S#

Initials	Section	Initials	Section
	<b>Plastic</b>		<b>Rollers</b>
<u>A.B</u>	<input checked="" type="checkbox"/> Conveyors	<u>A.B</u>	Digger Bed
<u>A.B</u>	<input checked="" type="checkbox"/> Airhead	<u>A.B</u>	<input checked="" type="checkbox"/> Primary
<u>A.B</u>	<input checked="" type="checkbox"/> Sorting Table	<u>A.B</u>	<input checked="" type="checkbox"/> Secondary
<u>A.B</u>	<input checked="" type="checkbox"/> Trash Chute	<u>N.H</u>	<input checked="" type="checkbox"/> Cross Conv
<u>A.B</u>	<input checked="" type="checkbox"/> Stone Conveyor	<u>A.B</u>	<input checked="" type="checkbox"/> Side Convs
<u>A.B</u>	<input checked="" type="checkbox"/> Bin	<u>A.B</u>	<input checked="" type="checkbox"/> Stone Conv
	<b>Belting</b>	<u>A.B</u>	<input checked="" type="checkbox"/> Sorting Conv or Bin Fill
	Airhead	<u>A.B</u>	<input checked="" type="checkbox"/> Bulk Loader
<u>A.B</u>	<input checked="" type="checkbox"/> Door	<u>A.B</u>	<input checked="" type="checkbox"/> Stone Conveyor
<u>A.C.D</u>	<input checked="" type="checkbox"/> Sides		
<u>K</u>	<input checked="" type="checkbox"/> Pillow	<u>A.B</u>	<b>Sprockets</b>
<u>K</u>	<input checked="" type="checkbox"/> Diaphragm	<u>A.B</u>	<input checked="" type="checkbox"/> Primary
<u>A.B</u>	<input checked="" type="checkbox"/> Cross Conv	<u>A.C.B</u>	<input checked="" type="checkbox"/> Secondary
<u>A.B</u>	<input checked="" type="checkbox"/> Stone Conv	<u>G.S</u>	<input checked="" type="checkbox"/> Cross Conv
<u>A.B</u>	<input checked="" type="checkbox"/> Rear Axle	<u>A.B</u>	<input checked="" type="checkbox"/> Lower Side Conv
<u>A.C.B</u>	<input checked="" type="checkbox"/> Star Rolls	<u>A.B</u>	<input checked="" type="checkbox"/> Upper Side Conv
<u>G.S</u>	<input checked="" type="checkbox"/> Distributor	<u>K</u>	<input checked="" type="checkbox"/> Sorting Conv or Bin Fill
	<input type="checkbox"/> Vine Belt Shield	<u>K</u>	<input checked="" type="checkbox"/> Bulk Loader
<u>A.B</u>	<input checked="" type="checkbox"/> Bin	<u>K</u>	<input checked="" type="checkbox"/> Stone Conv
	<input type="checkbox"/>		
	<b>Oil Tank</b>	<u>N.H</u>	<b>Gear Boxes</b>
<u>P.T</u>	<input checked="" type="checkbox"/> Breathers	<u>G.S</u>	<input checked="" type="checkbox"/> Engine 15W
<u>P.T</u>	<input checked="" type="checkbox"/> Sight Guage	<u>G.S</u>	<input checked="" type="checkbox"/> Airhead 15W
<u>N.H</u>	<input checked="" type="checkbox"/> Plumbed Per Specs	<u>G.S</u>	<input checked="" type="checkbox"/> Chain Drive 90W <i>SEC, DEWNER, Bin</i>
<u>N.H</u>	<input checked="" type="checkbox"/> In Tank Filters	<u>G.S</u>	<input checked="" type="checkbox"/> Grease All Bearings & Wear Plates
		<u>G.S</u>	<input checked="" type="checkbox"/> Durst Gear Box W/Syntec Oil
		<u>G.S</u>	<input checked="" type="checkbox"/> Breathers

# Advanced Farm Equipment, LLC

Customer

W/O#

S#

Customer	Engine	W/O#	Misc
CUMMINS	<input checked="" type="checkbox"/> Radiator Hoses	L	<input checked="" type="checkbox"/> Battery Cables
L	<input checked="" type="checkbox"/> Heater Hoses		<input type="checkbox"/> Control Cables
L	<input checked="" type="checkbox"/> Engine Oil	C.S.	<input checked="" type="checkbox"/> Cover Wiring
	<input checked="" type="checkbox"/> Radiator Fluid	G.S.	<input checked="" type="checkbox"/> Decals
L	<input checked="" type="checkbox"/> Anti-Corrosive	G.S.	<input checked="" type="checkbox"/> Serial Number Plates
L	<input checked="" type="checkbox"/> Half Water	G.S.	<input checked="" type="checkbox"/> Slow Moving Vehicle Sign
L	<input checked="" type="checkbox"/> Half Anti-Freeze		<input type="checkbox"/> Service Kit
L	<input checked="" type="checkbox"/> Exhaust System		<input type="checkbox"/> Tool Box
CUMMINS	<input checked="" type="checkbox"/> Air Intake System	G.S.	<input checked="" type="checkbox"/> Digger Blades Per Spec
CUMMINS	<input checked="" type="checkbox"/> Reversing Fan Option	G.S.	<input checked="" type="checkbox"/> Coultter Blades Per Spec
	<b>Hydraulics</b>		<input type="checkbox"/> Set Screws Tight
N.H.	<input checked="" type="checkbox"/> Needle Valves		<input type="checkbox"/> AFE Table
N.H.-P.T.	<input checked="" type="checkbox"/> Check Valves		<input type="checkbox"/> Vine Belt Dist
C.S.	<input checked="" type="checkbox"/> Flow Control Handles		<input type="checkbox"/> Cross Dist
G.S.	<input checked="" type="checkbox"/> Hydraulic Oil		<input type="checkbox"/> Bearings
P.T.	<input checked="" type="checkbox"/> Charge Pumps		<input type="checkbox"/> Tires
	<input type="checkbox"/> Proper Motor Rotation		<input type="checkbox"/> Touch Up Paint
P.T.	<input checked="" type="checkbox"/> Plugs In Pumps		<input type="checkbox"/> Chain & Sprockets To Spec
N.H.	<input checked="" type="checkbox"/> Plugs In Manifolds		
	<input type="checkbox"/>		

Notes / Comments:

---



---



---



---



---



---



---

# SALES ORDER

**Advanced Farm Equipment LLC**  
 5773 Crystal Road  
 Vestaburg MI 48891  
 (989) 268-5711

Sales Order Number 044680

Sales Order Date 04/01/15

Page 1

**SOLD** Advanced Farm Equipment  
 TO 5773 Crystal Road  
 Vestaburg, MI 48891

**SHIP** Advanced Farm Equipment, LLC  
 TO 5773 Crystal Road  
 Vestaburg MI 48891

P.O. Number		Terms	Cash on Del.
Ship Via	N/A	Salesperson	Greg Merrihew
Project Code	N/A	Required	04/01/2015
Ship Number			

ITEM	ORDERED	SHIPPED	BO	DESCRIPTION	PRICE	AMOUNT	TAX
------	---------	---------	----	-------------	-------	--------	-----

415079-604                      1.000                      Detail                      ea  
 15079 Mortenson 4RSPH65LAH

QTY	Description

QTY	Description

<b>Subtotal</b>	.00
<b>* Sales Tax</b>	.00
<b>Invoice Total</b>	.00
<b>Payments</b>	.00
<b>Net Due</b>	.00





# Detail Dept Fittings List

Part #	Description	New #	Quantity
840FS-06	JIC Tube Sleeve	319-06	X X ✓
840FS-08	JIC Tube Sleeve	319-08	X
840FS-10	JIC Tube Sleeve	319-10	✓
840FS-14	JIC Tube Sleeve	319-14	X     XXX XXXX
840FS-16	JIC Tube Sleeve	319-16	X ✓         X
841FS-06	JIC Tube Nut	318-06	✓ X
841FS-08	JIC Tube Nut	318-08	X
841FS-10	JIC Tube Nut	318-10	✓
841FS-14	JIC Tube Nut	318-14	X     XXX XXXX     ✓
841FS-16	JIC Tube Nut	318-16	X ✓
842FS-06	Male JIC x Male JIC	2403-06	X X ✓
842FS-08	Male JIC x Male JIC	2403-08	
842FS-08-06	Male JIC x Male JIC	2403-08-06	
842FS-10-08	Male JIC x Male JIC	2403-10-08	✓
842FS-14	Male JIC x Male JIC	2403-14	✓
842FS-14-12	Male JIC x Male JIC	2403-14-12	X     XXXX ✓
842FS-16	Male JIC x Male JIC	2403-16	X
842FS-16-12	Male JIC x Male JIC	2403-16-12	
844FS-06	Male JIC Tee	2603-06	e
844FS-08	Male JIC Tee	2603-08	
844FS-08-08-06	Male JIC Tee	2603-08-08-06	
844FS-14	Male JIC Tee	2603-14	
844FS-16-16-16	Male JIC Tee	2603-16-16-16	
883FS-12-16	Female JIC x Male JIC Rdcr	2406-12-16	
883FS-14-12	Female JIC x Male JIC Rdcr	2406-14-12	

2406-14g |||

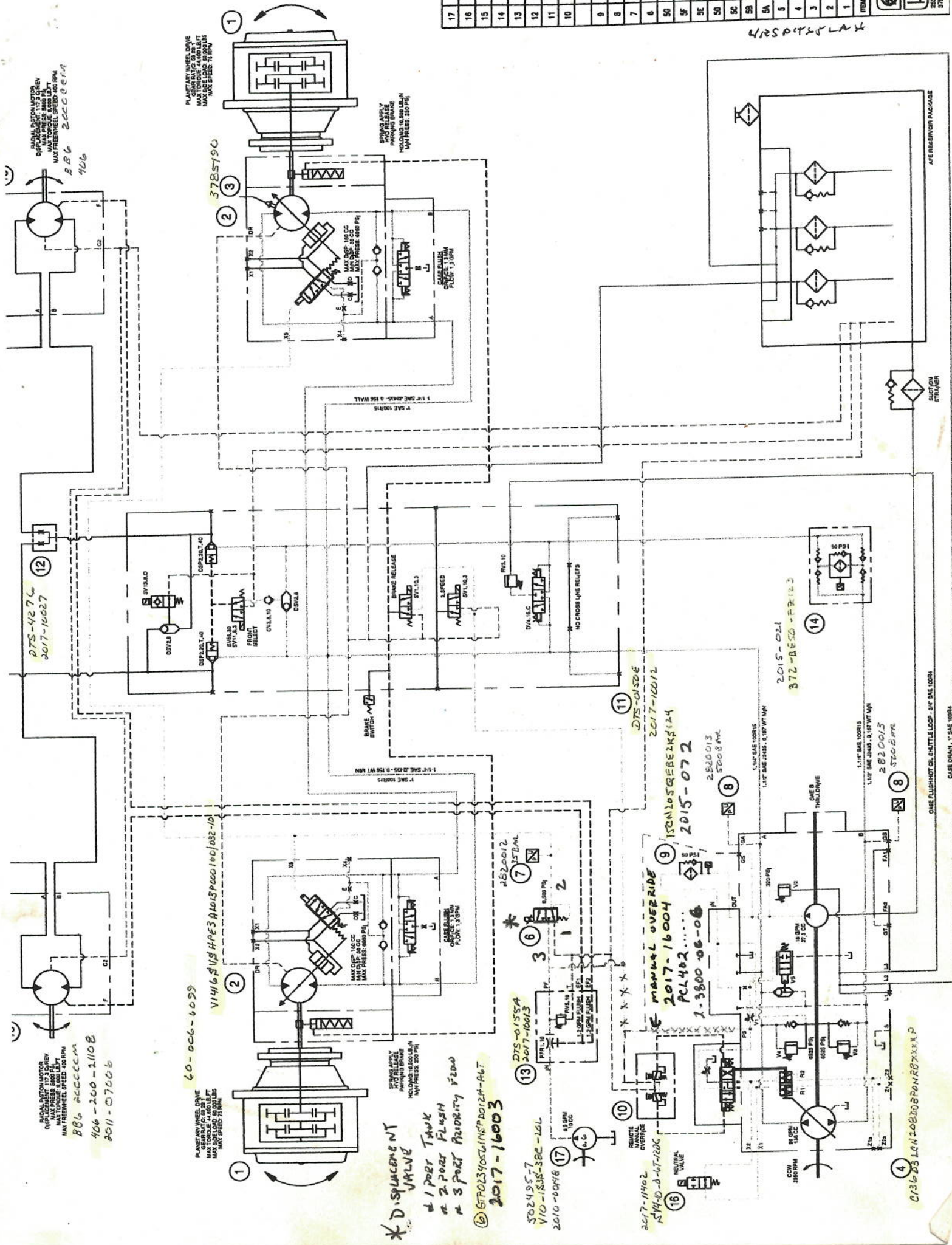
# Detail List

Part#	Description	Qty
100037	3/8" Steel Line Clamp	XXXX
100050	1/2" Steel Line Clamp	XXXXXX
100062	5/8" Steel Line Clamp	XX
100087	7/8" Steel Line Clamp	XXXXXXXXXXXXXX
100100	1" Steel Line Clamp	XXXX
100125	1 1/4" Steel Line Clamp	
100150	1 1/2" Steel Line Clamp	
100200	2" Steel Line Clamp	
100225	2 1/4" Steel Line Clamp	
100250	2 1/2" Steel Line Clamp	
ABAX1000-06	Straight Tube Adapter to JIC Male #6	
ABAX1000-08	Straight Tube Adapter to JIC Male #8	
ABAX1000-10	Straight Tube Adapter to JIC Male #10	
ABAX1000-14-12	Strght Tube Adptr to JIC Male #14-12	
ABAX1000-16	Straight Tube Adapter to JIC Male #16	
BA19-06	3/8" Replacement Sleeve	
BA19-08	1/2" Replacement Sleeve	
BA19-10	5/8" Replacement Sleeve	
BA19-14	7/8" Replacement Sleeve	
BA19-16	1" Replacement Sleeve	
BAX1100 06	3/8" NPT Female x 3/8" Tube	
BAX1100 08	1/2" NPT Female x 5/8" Tube	
BAX1100 10	1/2" NPT Female x 5/8" Tube	
BAX1100 14	3/4" NPT Female x 7/8" Tube	
BAX1200 06	3/8" Tube Union	
BAX1200 08	1/2" Tube Union	
BAX1200 10	5/8" Tube Union	
BAX1200 14	7/8" Tube Union	
BAX1200 16	1" Tube Union	
BAX3100 06	3/8" NPT x 3/8" Tube Tee	
BAX3100 08	1/2" NPT x 1/2" Tube Tee	
BAX3100 10	1/2" NPT x 5/8" Tube Tee	
BAX3100 14	3/4" NPT x 7/8" Tube Tee	
BAX3100 16	1" NPT x 1" Tube Tee	
BAX3200 08	1/2" Tube Tee	
BAX3200 14	7/8" Tube Tee	
BAX3200 16	1" Tube Tee	



17	16	15	14	13	12	11	10	9	8	7	6	50	51	52	53	54	5	4	3	2	1	100
----	----	----	----	----	----	----	----	---	---	---	---	----	----	----	----	----	---	---	---	---	---	-----

4125 P128 LA X



PLANETARY WHEEL DRIVE  
OIL CAPACITY 117.0 G/REV  
MAX PRESS. 600 PSI  
MAX FRESHWATER SPEED 400 RPM  
BB6 200000EA  
10/6

PLANETARY WHEEL DRIVE  
OIL CAPACITY 117.0 G/REV  
MAX TORQUE 4000 LB FT  
MAX FRESHWATER SPEED 400 RPM  
MAX SPEED 75 RPM

\* DISPLACEMENT VALVE  
1 1 PORT TRUNK  
2 2 PORT FLOWH  
3 3 PORT PRIORITY FLOW  
4 6GT023405GLINS\* 2012M-A6T  
2017-16003

502495-7  
V10-1838-380-20L  
2010-004E (17)

MANUAL OVERRIDE  
2017-16004  
PCL402.....  
1-3800-06-06

DTS-01554  
2017-16013  
2820012  
2820013  
2820014

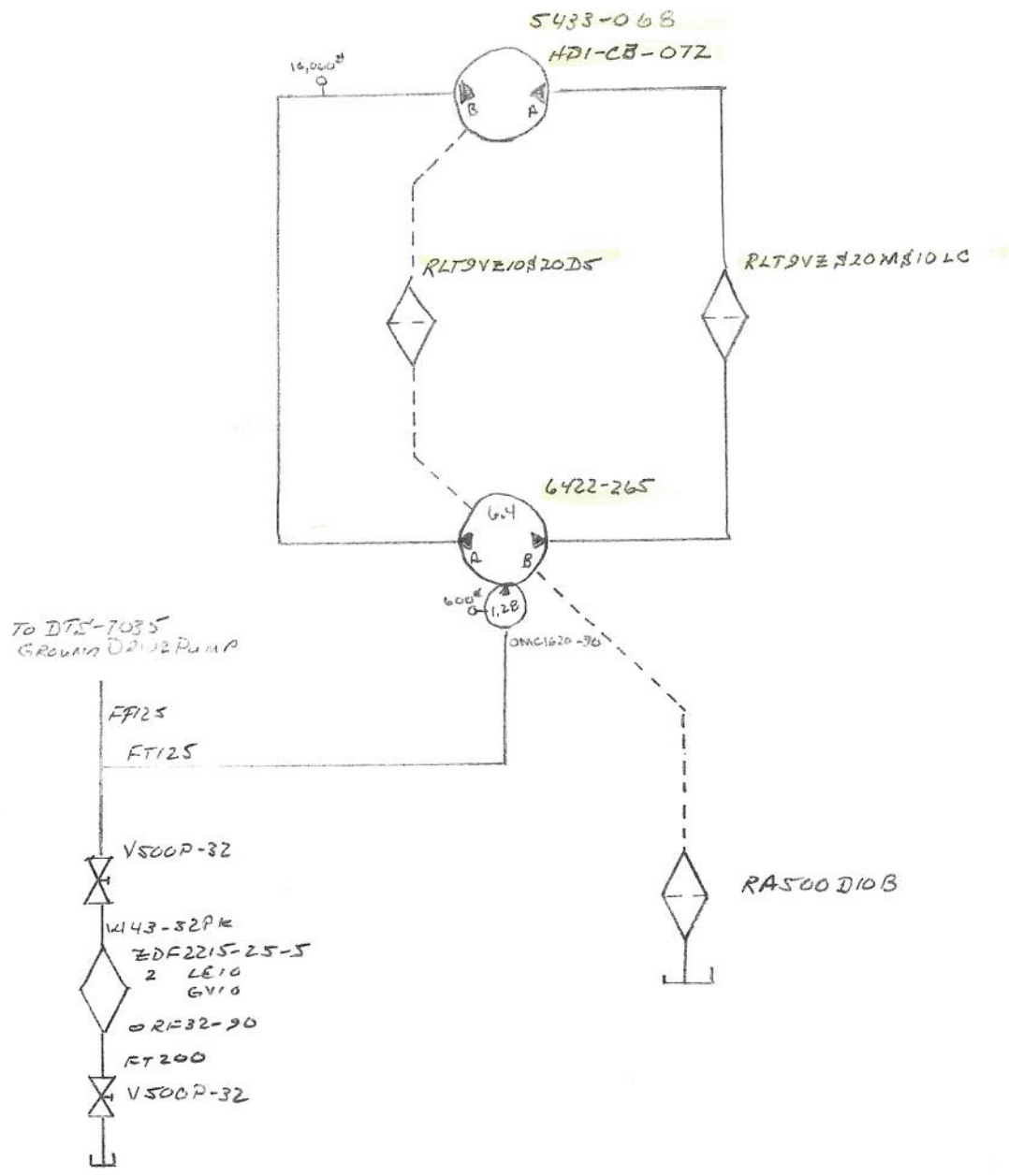
2015-021  
372-0850-F2103

C13625 LCH 208006PDRD3XXX.P

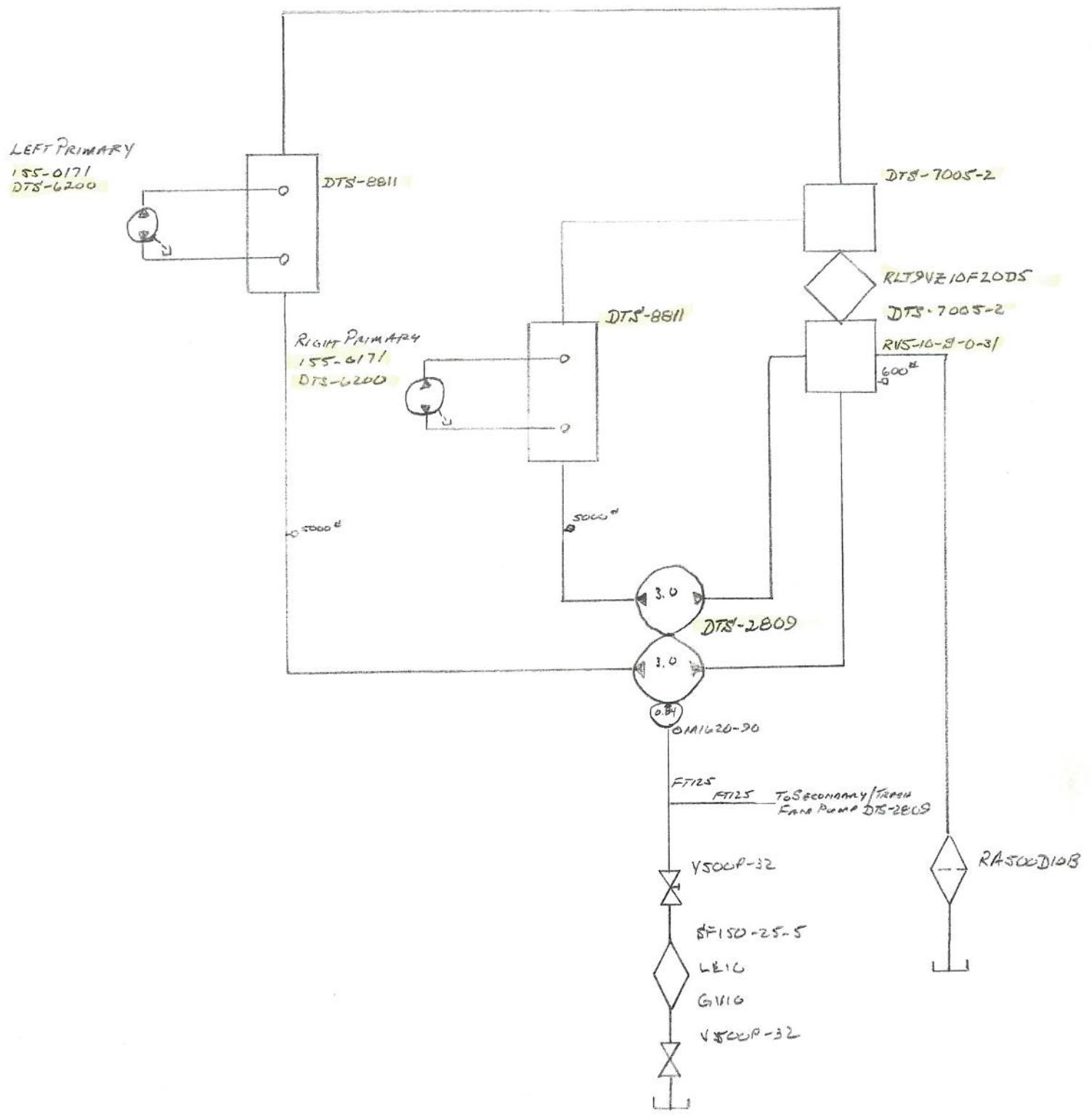
CASE FLUSH HOT OIL SHUTTLE LOOP - 3/4\"/>

AVC RESERVOIR PACKAGE  
2781

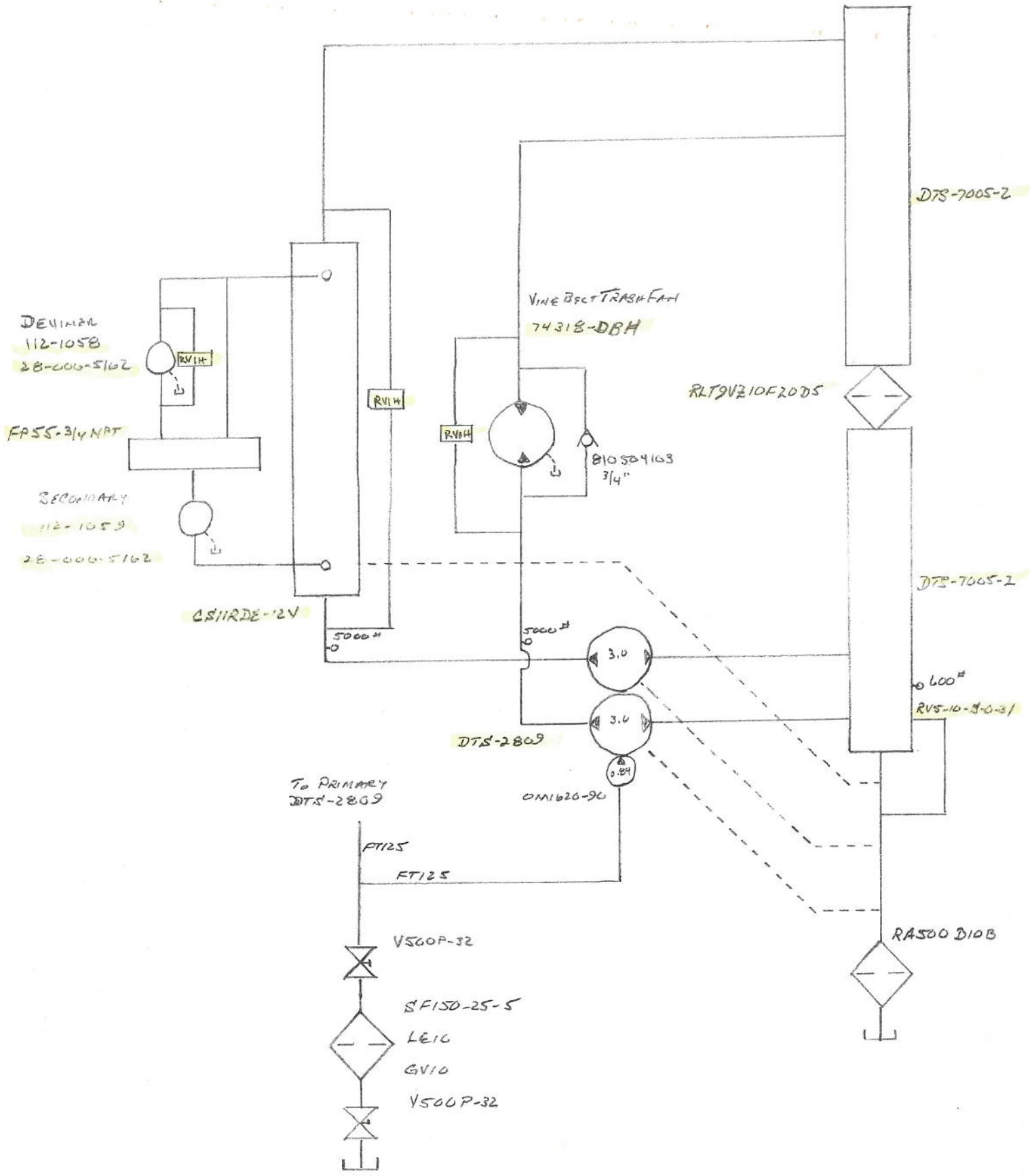
4/23/15  
 E15079  
 MULTIBUS BRAS.  
 HRSP# 65LAA



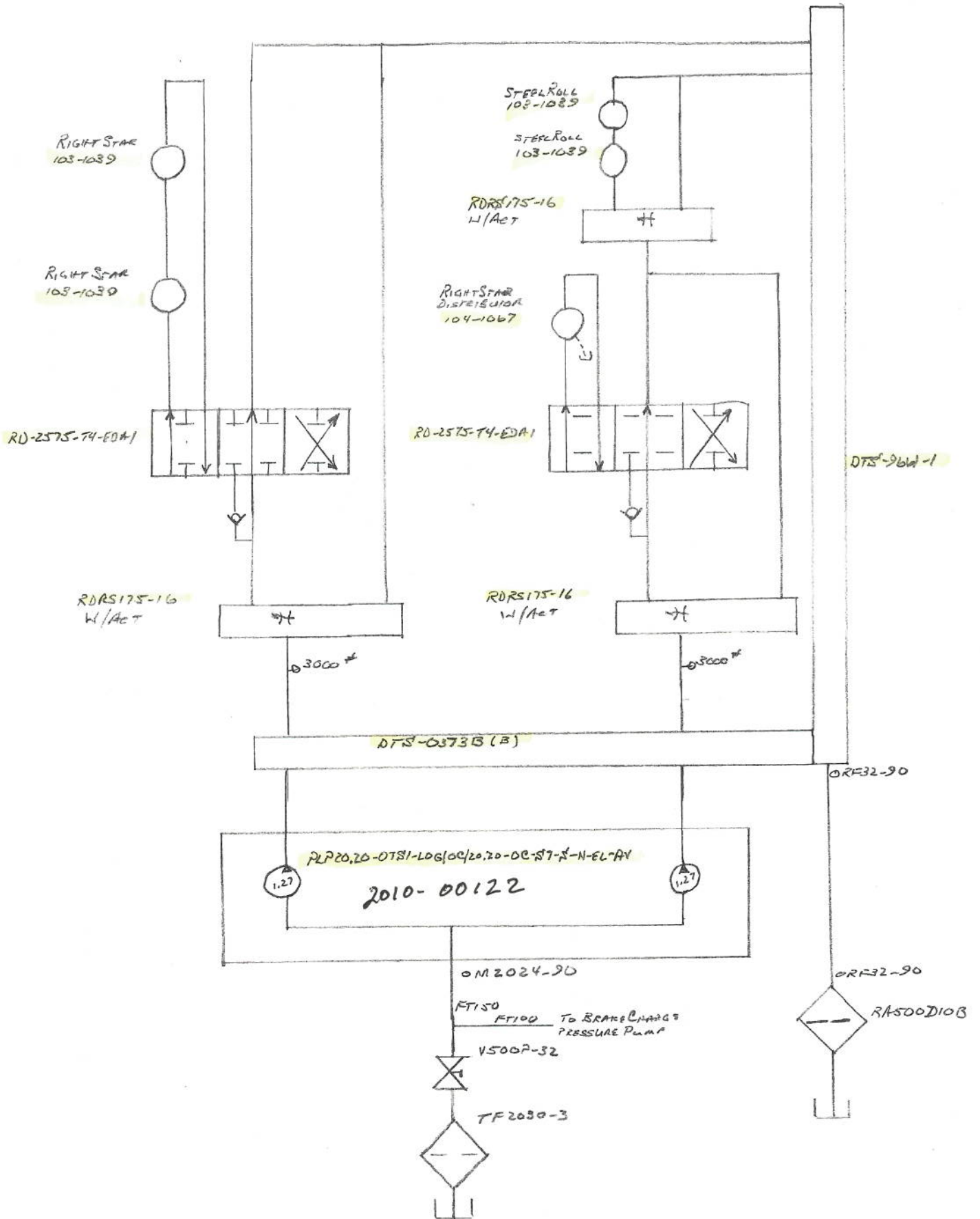
4/23/15  
 15079  
 NORTHSEA BWS  
 4PSP4654H



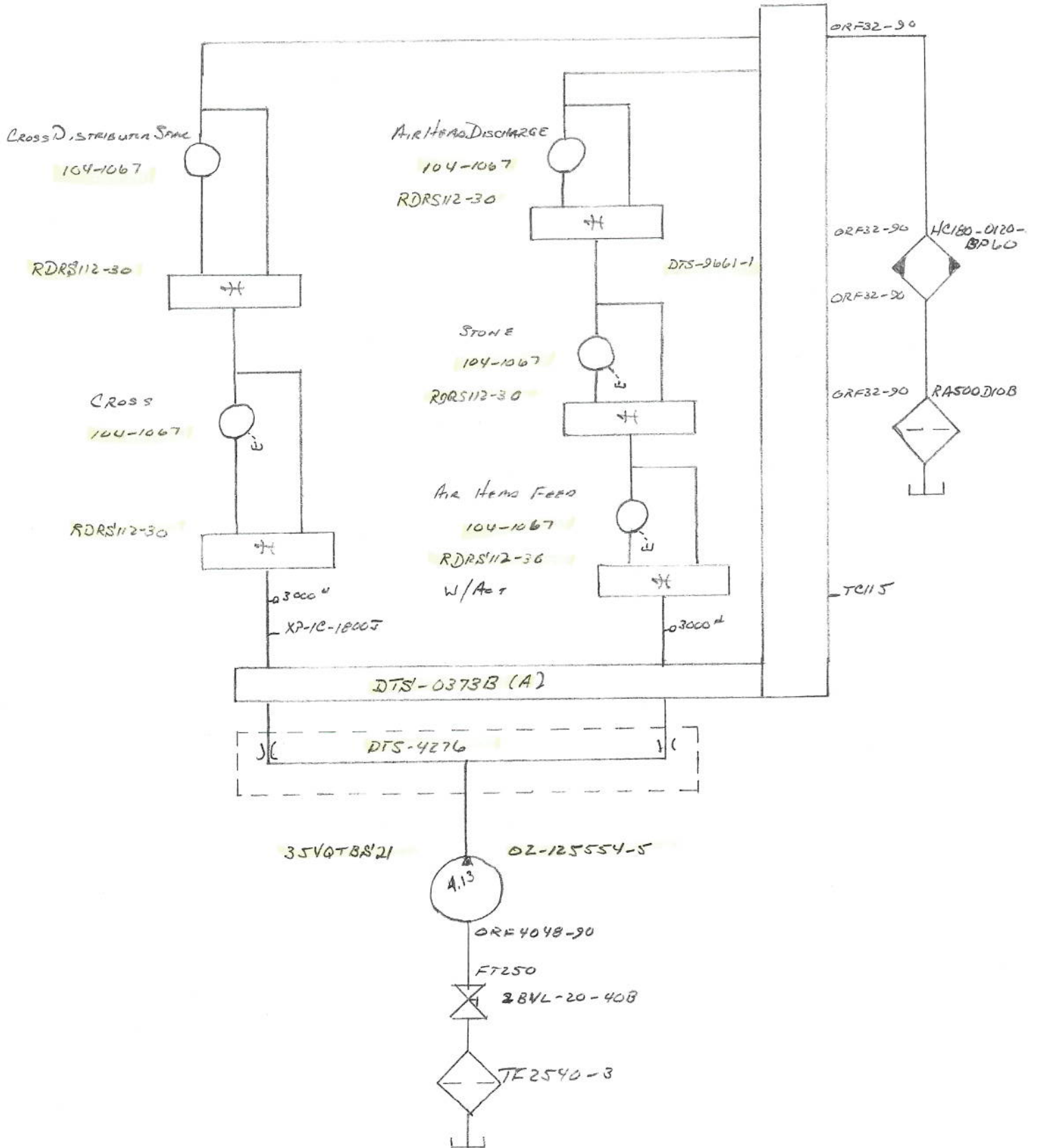
4/23/15  
 4/5879  
 NORTH/SOUTH BRDS.  
 4RSP#6564H



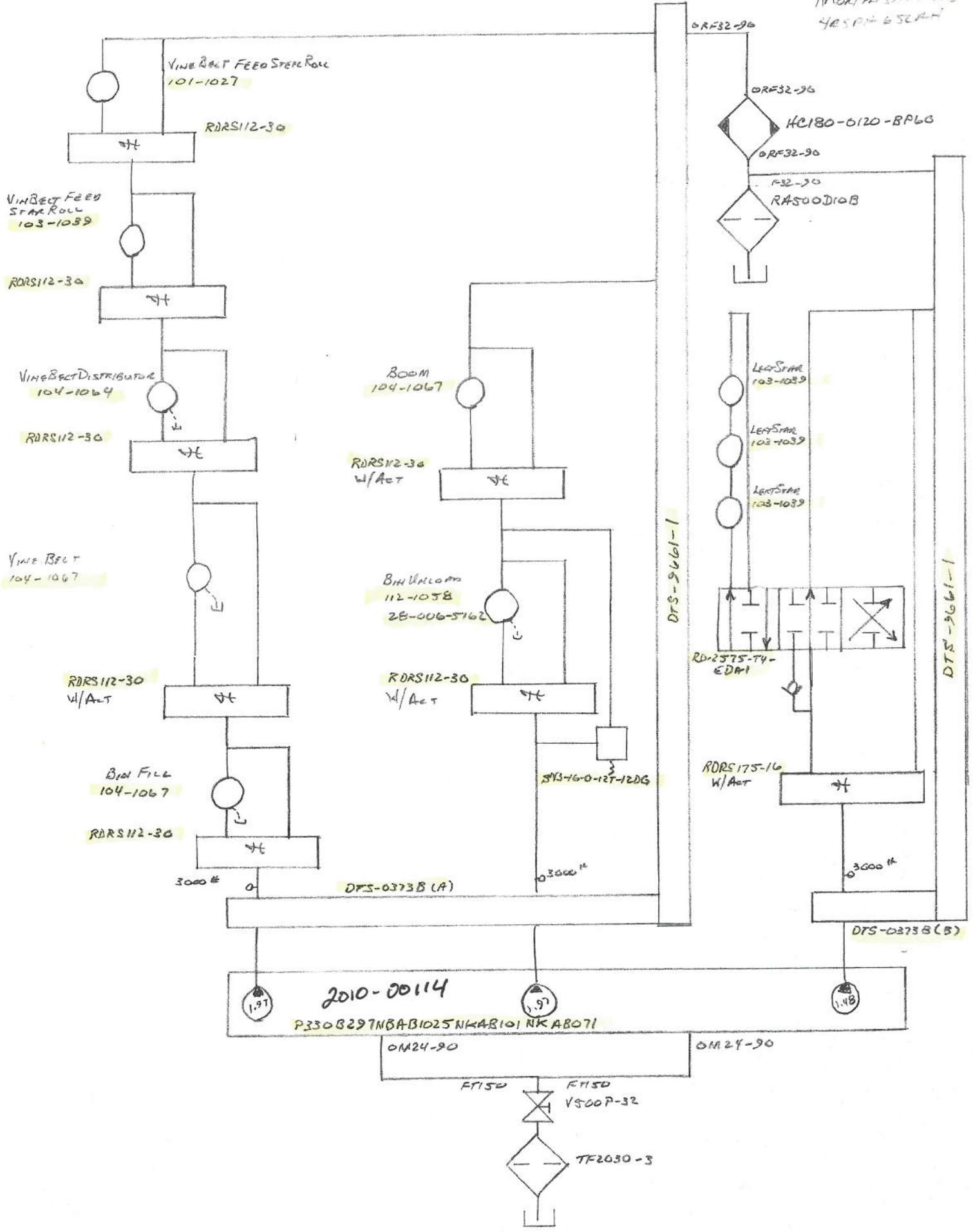
4/23/15 # 15079  
MORTENSON BROS  
4RSDA6SLAH



4/23/15  
 #15079  
 MURPHYSEN BWS  
 HRSP#656A-H



4/23/15  
 #15079  
 MONTFALCONE BROS  
 425 PM 652 PM



2010-20114

P330B297NBAB1025NKAB101NKAB071

OM24-90

OM24-90

FT150

FT150

V500P-32

TF2030-3

3000#

DFS-0373B (A)

3000#

3000#

DTS-0373B (B)

DFS-9661-1

DFS-9661-1

LEFT STAR  
103-1039

LEFT STAR  
103-1039

LEFT STAR  
103-1039

RD-2575-74-EDA1

RDRS175-16  
W/ACT

BOOM  
104-1067

RDRS112-30  
W/ACT

BIN WASH  
112-1038  
2B-006-5162

RDRS112-30  
W/ACT

SYS-76-0-12T-12DG

VINE BACT FEED STAR ROLL  
101-1027

RDRS112-30

VINE BACT FEED STAR ROLL  
103-1039

RDRS112-30

VINE BACT DISTRIBUTOR  
104-1064

RDRS112-30

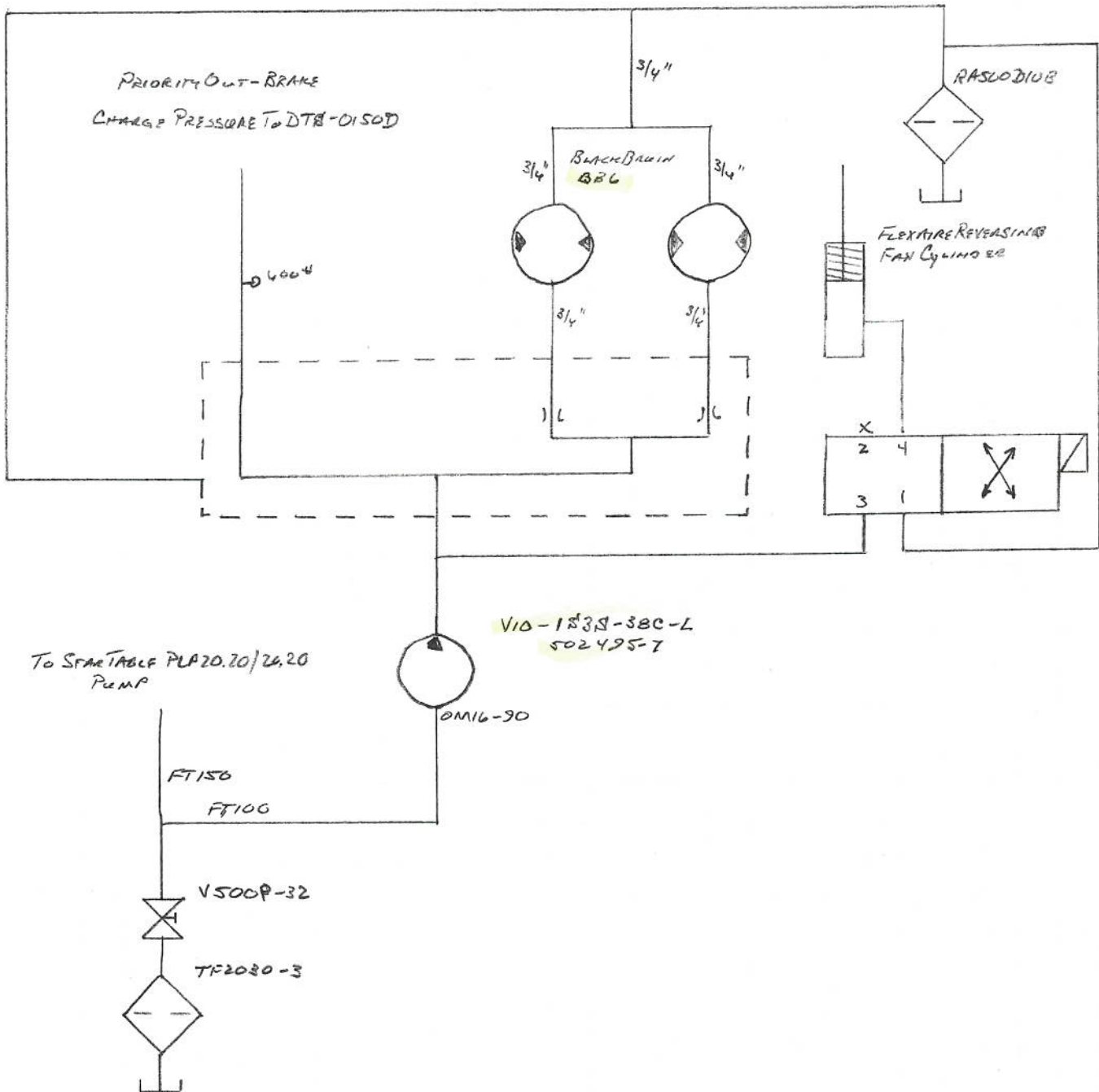
VINE BACT  
104-1067

RDRS112-30  
W/ACT

BIN FILL  
104-1067

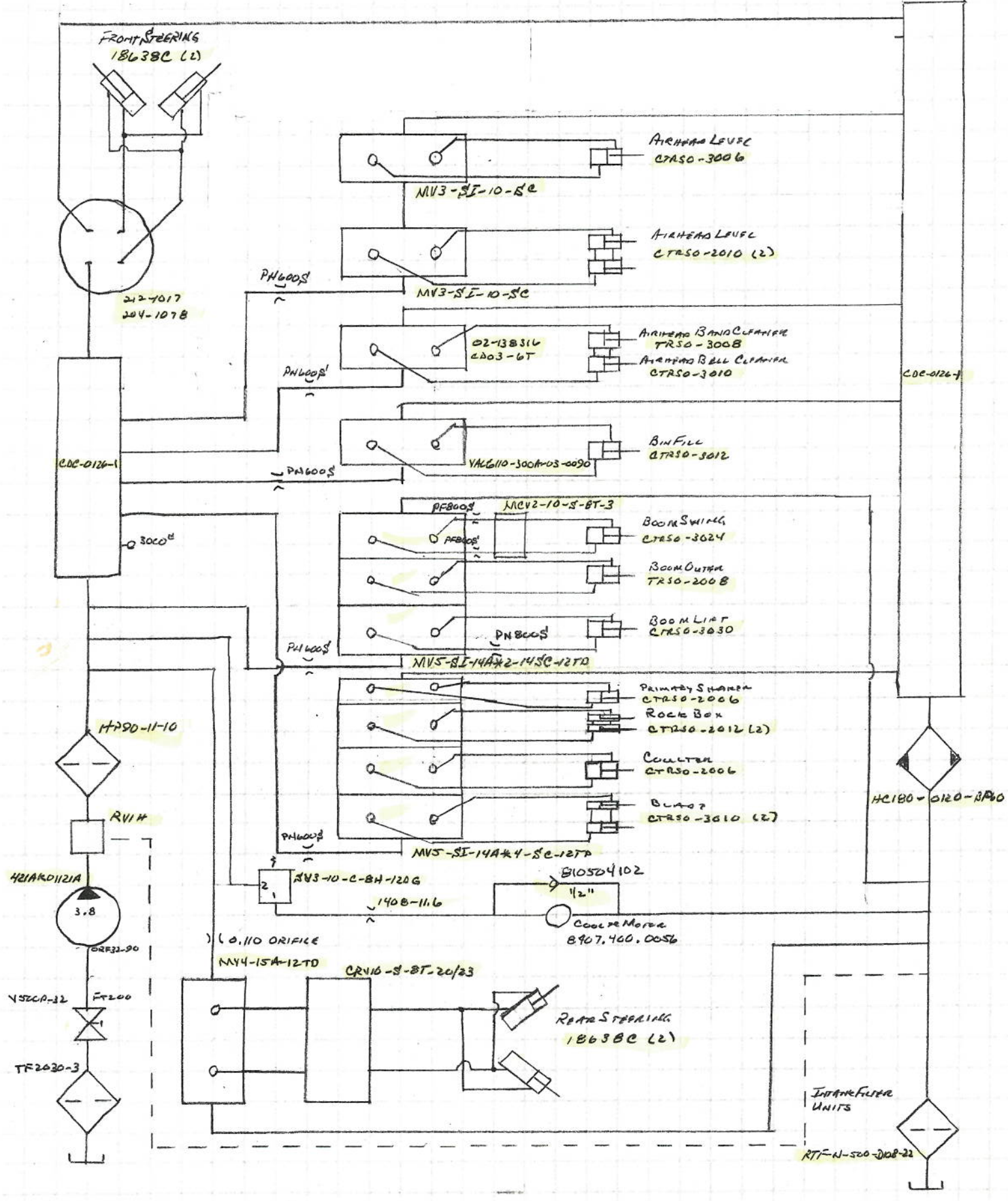
RDRS112-30

7/28/15  
#15072  
MONTENSAH BROS.  
MRS PH 65 LAM





4/11/5 #15079  
 NIGHTMARE PAIR BASES  
 YRSP #65LAH



7/28/15 = 15703  
 MORTANSAI BR03.  
 HASAH65LAH

4" FWM

4"

- TF2540-3
- 2 1/2" 90° STEEL
- 2 1/2" CLS NIP
- 2 BV620-40B
- FT250
- \* 35VQTB3

3"

- 3" X 2" Bush
- 2" CLS NIP
- V500P-32
- FT200
- ORF32-90
- ZDF2215-25-5
- W43-32PK-2"
- 2" 90° STEEL
- 2" CLS NIP
- V500P-32
- 2" CLS NIP
- 2" TEE

- X 2" X 1 1/4" Bush
- 2" 90° STEEL
- FT150
- 2" X 1 1/4" Bush
- FT125
- \* 6422-265

3 FWM

3"

- TF2030-3
- 2" CLS NIP
- V500P-32
- 2" 90° STEEL
- FT200
- \* 421AK

V500P-32  
3" FWM

3"

- TF2030-3
- 2" 90° STEEL
- 2" CLS NIP
- 2" TEE
- X 2" X 1 1/2" Bush
- FT150
- \* P330
- 2" 90° STEEL
- 2" X 1 1/2" Bush
- FT150
- \* P330

3" FWM

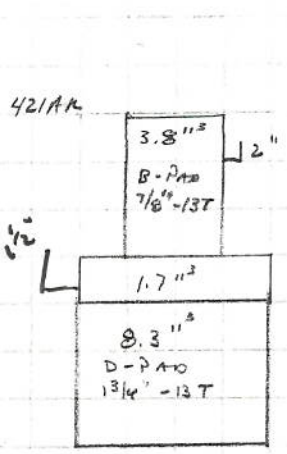
3"

- TF2030-3
- 2" 90° STEEL
- 2" CLS NIP
- V500P-32
- 2" CLS NIP
- 2" TEE
- X 2" X 1 1/2" Bush
- FT150
- \* PLP20.20
- 2" 90° STEEL
- 2" X 1" Bush
- FT100

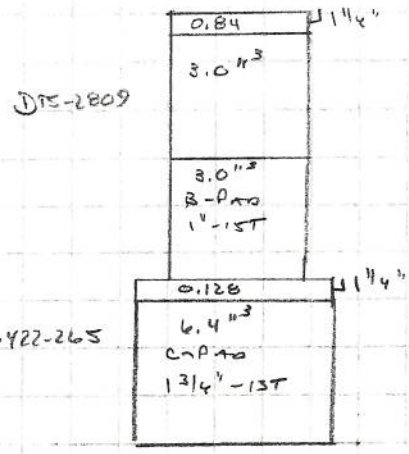
\* Y10

4"

- 4" X 2" Bush
- 2" 90° STEEL
- 2" CLS NIP
- V500P-32
- 2" X 1 1/2" Bush
- 1 1/2" CLS NIP
- SF150-25-1/5
- 1 1/2" CLS NIP
- 2" X 1 1/2" Bush
- V500P32
- 2" CLS NIP
- 2" TEE
- X 2" X 1 1/4" Bush
- 1 1/4" 45° STEEL
- FT125
- \* DTS-2809
- 2" X 1 1/4" Bush
- FT125
- \* DTS-2809



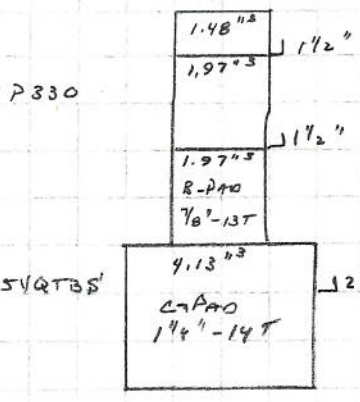
L.R.



6422-265

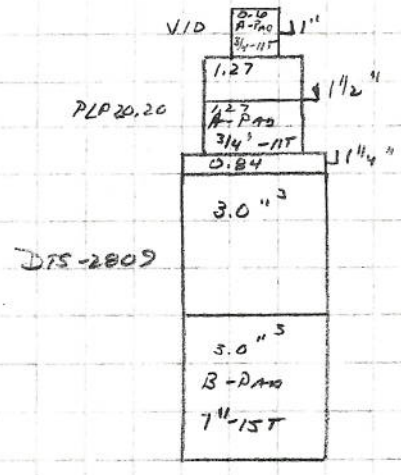
L.L.

- L.R. - GROUND DRIVE
- 421AK - STEERING
- L.L. - 6422-265 - AIR HEAD
- DTS-2809 - FRONT - SECONDARY
- REAR - CARRY FAN
- T.R. - 35VQTB3 - FID - CROSS
- FID - AIRHEAD FEND
- P330 - FRONT - BIFILL
- MID - BIN UNLOAD
- REAR - LEFT STAR TABLE
- T.L. DTS-2809 - FRONT - RIGHT PRIMARY
- REAR - LEFT PRIMARY
- PLP20.20/20.20 - FRONT - RIGHT STAR TABLE
- RIGHT STAR DIST. TABLE



P330

T.R.



DTS-2809

T.L.

- V10 - BRAKE CIG. PRESS.
- BB6 FUSING
- ENG. RADIATOR REV.

DURST 4P209-140I-N11-BB84-CCH-CEH-DEM+LS 2023-0288

DRIVE PLATE - TORSION CONTROLS 19310  
 CUMMINS - TIER 4 - 535 H.P. - REVERSING FAN  
 1800 RPM