

17084

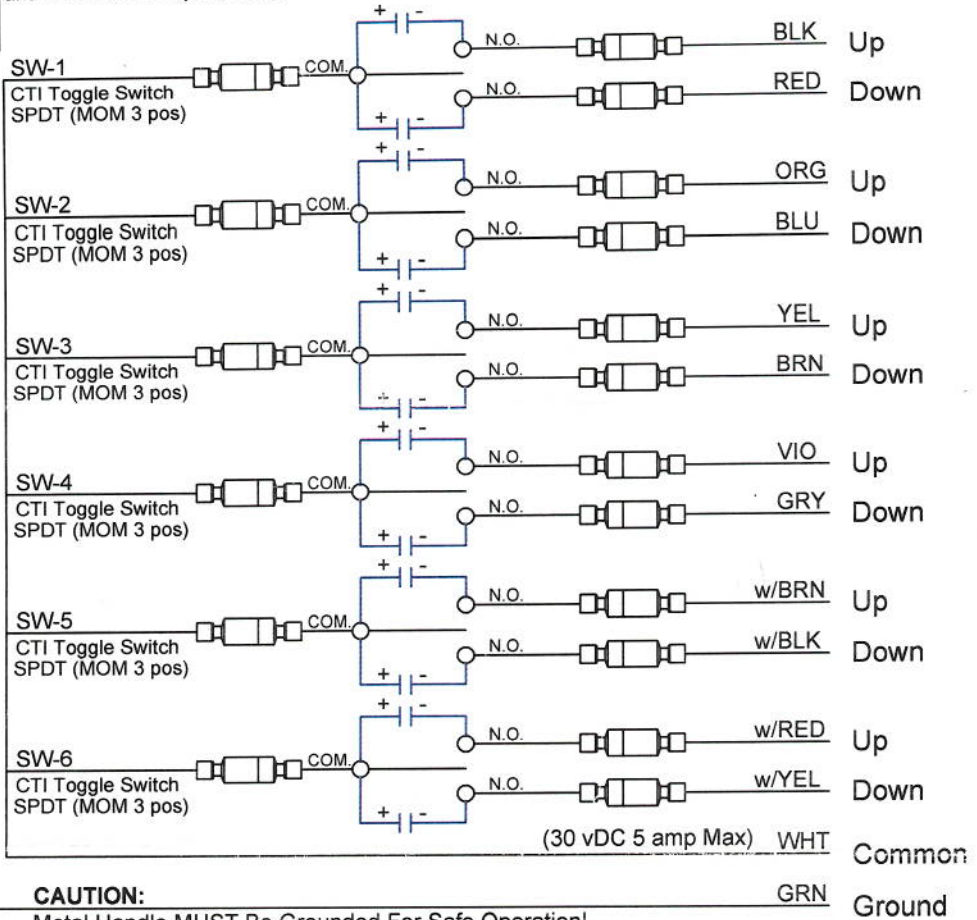
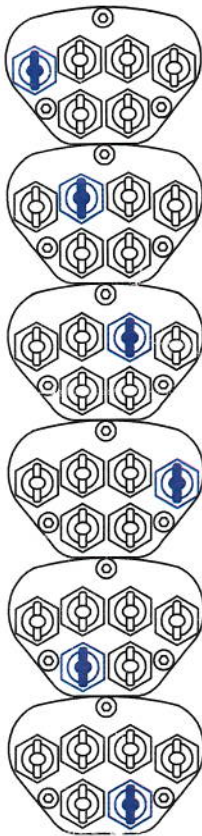
Grass

4RSPH $\frac{1}{65}$ " AH

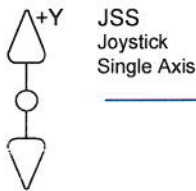
REVISIONS

ZONE	REV	DESCRIPTION	DATE	APPROVED
------	-----	-------------	------	----------

Note: 1-Cyber-Tech, Inc. Proposed Handy-Grip® wiring to be APPROVED by the customer prior to manufacture and installation for operator use.

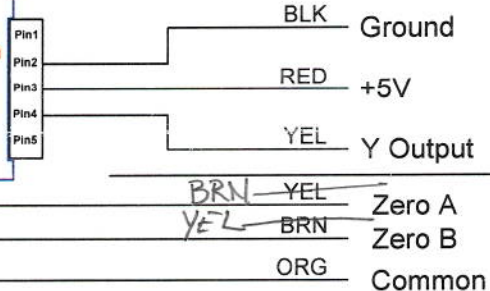


CAUTION:
Metal Handle **MUST** Be Grounded For Safe Operation!



5vDC, 15 mA max

-Custom Prototype - Friction Hold with Zero switch
JS-H100 Joysticks
Regulated 5.0vDC input yields a 0.5 to 4.5vDC signal output



-Output at maximum negative Y displacement: 8% +/- 4% of supply voltage, -Output at maximum positive Y displacement: 92% +/- 4% of supply voltage
-Output at null (handle center): 50% +/- 2% of supply voltage
Note: Improper installation, shorting the sensor output to ground/supply and or pulling over 20mA will void warranty

Cyber-Tech, Inc. P.O Box 23801 Portland, Or 97281-3801 1.800.621.8754 www.cyber-tech.net	8901 Handy-Grip / JS-H100 (6 Tog w/Boots)/(Single Axis Friction Hold, w/Zero SW)			
	SCHEMATIC DIAGRAM Custom, Prototype			
SIZE	FSCM NO.	DWG NO.	REV	
	503-620-8580	CTI-2023963		
SCALE	1:1	D DOWERS	SHEET	1 OF 1

GRASS HARVESTER

Joystick Mod

- 1) Remove The Multi-Colored Switch Wiring from Corner Plug → Pull free
- Note Exact Locations!
- 2) Loosen Set Screw on Joystick top Handle and rotate ccw to Remove.
Note! Multi Colored Switch Wiring must rotate with handle!
- 3) Carefully Remove Harness and Feed through the New Joystick Base.
Do Step 2, then Step 1 in REVERSE.
- 4) Plug IN 6-Pin Deutsch Connector
- 5) Un-Plug the ORANGE WIRES #144. Battery Power + Relay for Neutral.
- 6) Identify Which ORANGE WIRE IS 12V Batt
CONNECT the 12V BATT to Joystick ORANGE WIRE
- 7) CONNECT the Other (Relay Neutral) Wire to the YELLOW Joystick Wire.
- 8) TEST System - It should NOT start unless Joystick is in Neutral.

GRASS Harvester

JOYSTICK MOD

9) MAKE sure of wiring!

+ 12V BATT #144
ORANGE

Joystick ORANGE

Neutral RELAY
ORANGE

Joystick yellow

test All Switches for function

10) DOWNLOAD AND CONNECT via Bluetooth
With IQAN sync APP By Parker Hannafin
Be sure you have a SOLID internet or
WIFI CONNECTION. (Phone or Tablet)

11) CALL for help w/ uploading a
New Program FAT Taylor - 989 268 5711
OR Richard Bishop - 208 680 9401

12) After New Program is loaded, set
Side, Cross, Airhead % Positions again
and verify Joystick function.

Key ON - ENGINE NPT
RUNNING!