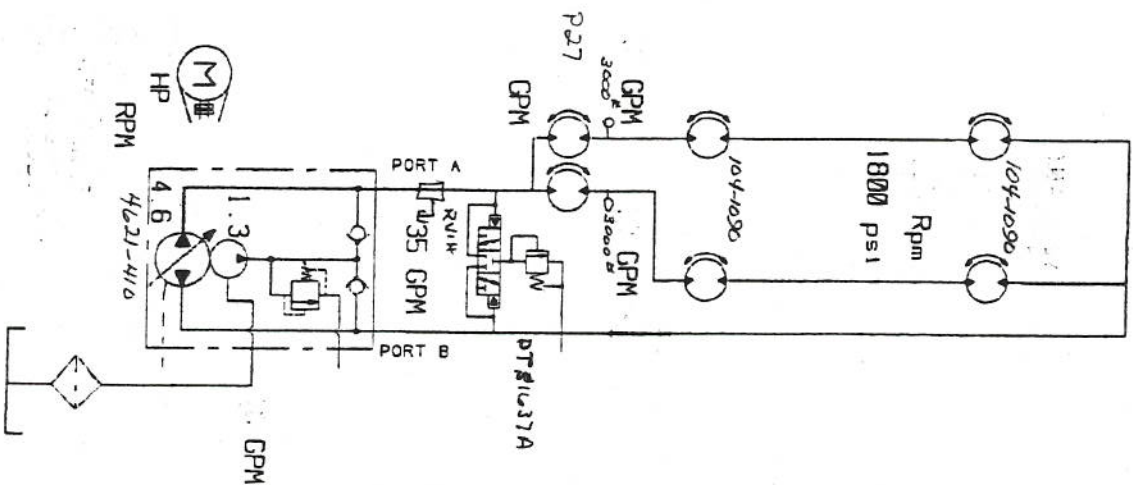
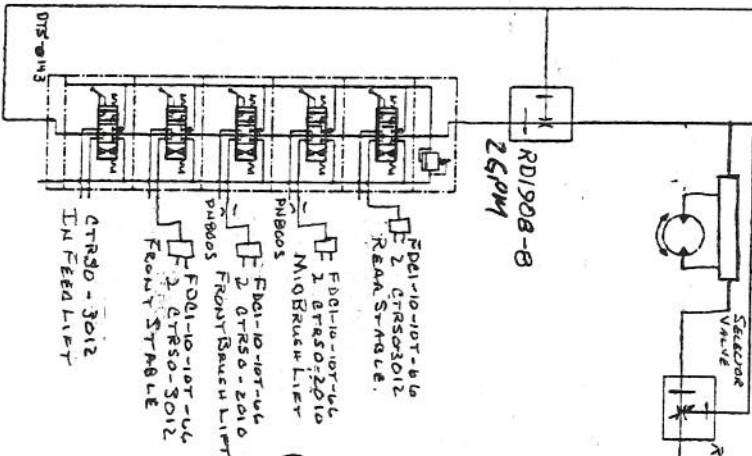


02204 CBS FORMS
 BRUSHER UNIT

BRUSHER DRIVE



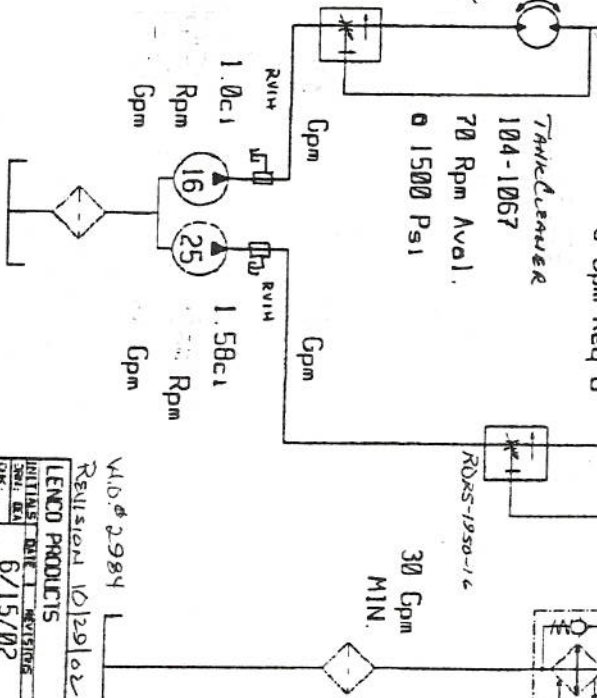
DIRTY LOW VISC
 104-1067
 70 Rpm Avail.
 1500 PSI



CLEAN PRODUCT
 104-1067
 140 FT/MIN
 89 Rpm
 4 Gpm Req'd

104-1954
 5 : 1 Ratio
 50 FT/MIN
 19 Rpm
 3 Gpm Req'd

TANK CLEANER
 104-1067
 70 Rpm Avail.
 1500 PSI

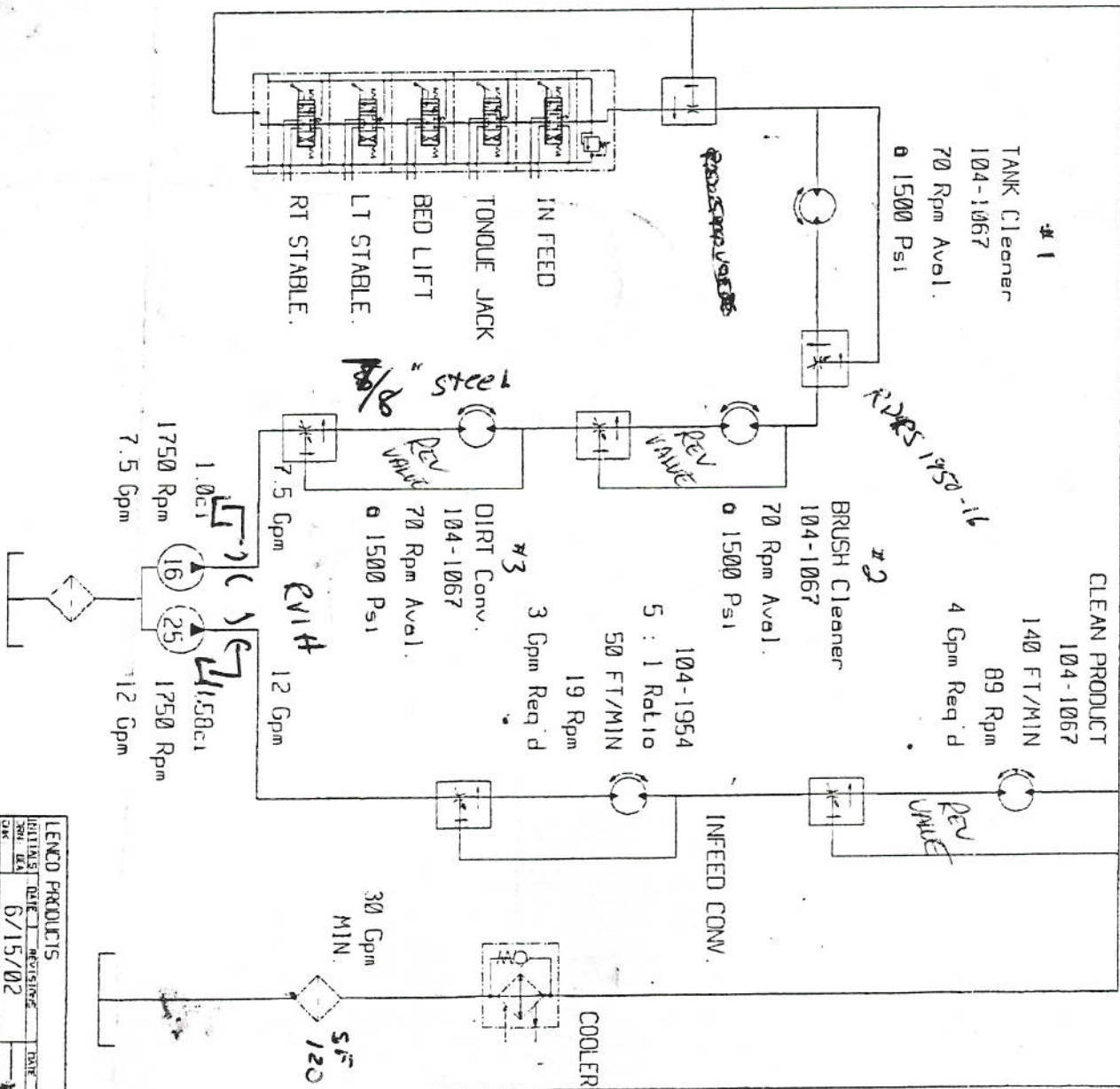
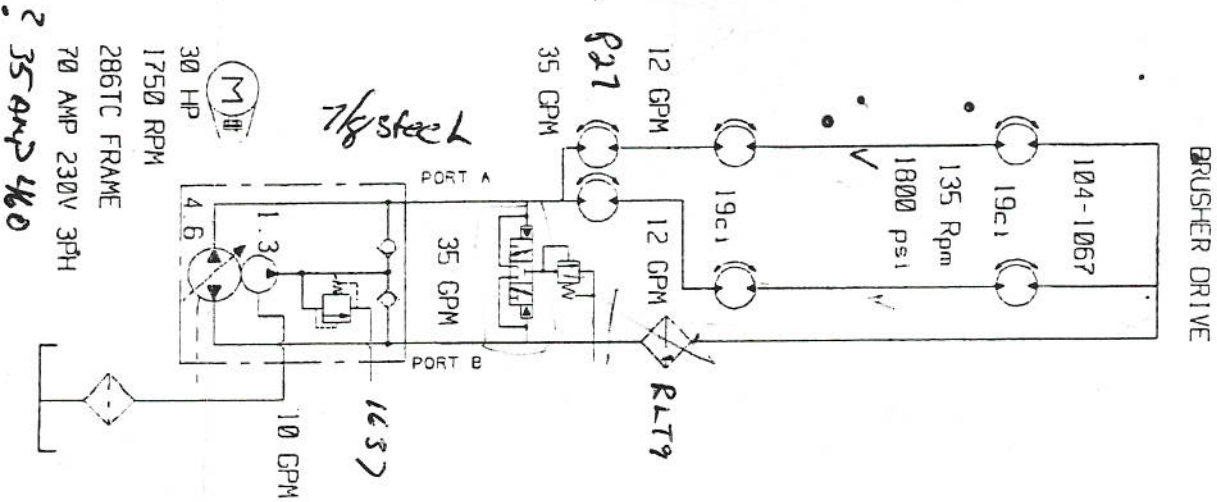


W.D.# 2984
 Revision 10/29/02

INITIALS	DATE	REVISIONS	DATE
LENCO PRODUCTS	6/15/02		

BRUSHER BED CLEANER

COOLER FAN VOLTAGE ?



LENCO PRODUCTS	
INITIALS	DATE
REV. DATE	REV. DATE
CHK	6/15/02
APP.	
BRUSHER BED CLEANER	
PAK. NO.	DA-104844

Brush cleaner

spec sheet for special projects

customer

css farms

address

south dakota

serial no

2204

date

6/4/2002

phone

605-886-2577

- 1 48" fill conveyor special chain from natago with flights
- 2 16 roll brusher
- 3 intake end to raise and lower 24"
- 4 dirt collection tank built to hold water with 1 uhmw bottom and scraper chain
- 5 40" belted discharge conveyor that slides back and forth and reverses
- conveyor to detach for transport
- 6 dirt belt to be built as a u trough with reverse drive 8 ft long and slide side to side
- 7 tongue to extend in and out for transport with cradel for conveyor
- 8 hyds to lift conveyor and brusher and level unit
- 9 4 rows of nozzels on last 8 brusher mounted to frame that lifts out of the way
- 10 washer mounted under that cycles side to side to wash brushes
- 11 pump and motor mounted to power wash system
- 12 80-8 hubs with two semi truck tires
- 13 brushes to runn 100 to 300 rpm
- 14 fill conveyor to run up to 50 feet per minute
- 15 hydro to run brusher with high pressure motors
- 16 20-20 pump to run conveyors
- 17 electric motor
- 18 system to start with 1 10 system off of other equip

