

18095

HIV

QRSPT

$\frac{1}{2}$ " AH

HJV ARMREST WIRES				
COLOR	NUMBER	DISCRIPTION		
YELLOW	89	POWER TO MASTER FROM RELAY 1-1	P	
ORANGE	90	POWER TO MASTER FROM RELAY 1-2	P	
WHITE	6	PRIMARY ON TO IQAN	I	
BLACK	6	SECONDARY ON TO IQAN	I	
RED	82	STAR TABLE ON TO 373	M	B
BROWN	16	CROSS ON TO 373	M	B
YELLOW	52	SIDE ON TO 373	M	B
BROWN	21	MUILT SEP ON TO 373	M	B
BROWN	11	BIN FILL ON TO 373	M	B
ORANGE	50	BOOM/BIN ON TO 373	M	B
BLACK	22	BOOM (BYPASS) ON TO 2017-11304	M	B
RED	110	MULTISEP FEED ROLLS SPEED	M	M
GREEN	111	MULTISEP FEED ROLLS SPEED	M	M
PURPLE	112	MULTISEP SEGMENT ROLLS SPEED	M	M
ORANGE	113	MULTISEP SEGMENT ROLLS SPEED	M	M
YELLOW	114	MULTISEP PINCH ROLLS SPEED	M	M
BROWN	115	MULTISEP PINCH ROLLS SPEED	M	M
WHITE	116	BIN FILL DIS. SPEED	M	B
BLACK	117	BIN FILL DIS. SPEED	M	B
PURPLE	42	AIR HEAD FEED LOWER SPEED	M	LT
YELLOW	43	AIR HEAD FEED LOWER SPEED	M	LT
BLACK	51	AIR HEAD DISCHARGE SPEED	M	LT
ORANGE	52	AIR HEAD DISCHARGE SPEED	M	LT
BLUE	41	AIR HEAD FEED SEGMENT ROLLS SPEED	M	BC
GREEN	40	AIR HEAD FEED SEGMENT ROLLS SPEED	M	BC
RED	44	BIN FILL SPEED	M	B
BROWN	49	BIN FILL SPEED	M	B
RED	39	AIR HEAD FEED UPPER SPEED	M	LT
ORANGE	38	AIR HEAD FEED UPPER SPEED	M	LT
GREEN	45	BIN UNLOAD SPEED	M	B
BROWN	46	BIN UNLOAD SPEED	M	B
ORANGE	47	BOOM SPEED	M	B
WHITE	48	BOOM SPEED	M	B
ORANGE	147	HUMP SHAFT UP	M	LT
BLUE	148	HUMP SHAFT DOWN	M	LT
WHITE	16	AIR KNIFE ON TO IQAN	I	
BLACK	16	AIR HEAD ON TO IQAN	I	
RED	32	PRIMARY SHAKER SPEED	M	RT
YELLOW	33	PRIMARY SHAKER SPEED	M	RT
PURPLE	34	SECONDARY SHAKER SPEED	M	BC
YELLOW	35	SECONDARY SHAKER SPEED	M	BC
PURPLE	62	CROSS SPEED	M	BC
BROWN	63	CROSS SPEED	M	BC
BLUE	64	CROSS DIS. SPEED	M	BC
YELLOW	65	CROSS DIS. SPEED	M	BC

57 to pair
7 H. Amp

BLACK	151	STEEL ROLL SPACE	P	
RED	152	STEEL ROLL SPACE	P	
RED	15	FLEX AIR	M	B
RED	*015	POWER TO FLEX AIR	P	
GREEN	17	STONE BOX	P	
ORANGE	18	STONE BOX	P	
WHITE	41	TRAVLE MODE TO IQAN	I	
BLUE	71	MANUAL BIN UP	I	
ORANGE	72	MANUAL BIN DOWN	I	
RED	75	AUTO BIN	I	
BLUE	26	MANUAL AIR HEAD CLEANER	I	
WHITE	27	MANUAL AIR HEAD CLEANER	I	
PURPLE	28	AUTO AIR HEAD CLEANER	I	
BLACK	95	AIR HEAD DEFLECTOR DOOR	M	LT
WHITE	96	AIR HEAD DEFLECTOR DOOR	M	LT
RED	75	MULTISEP PINCH ROLL SPACE	M	M
WHITE	74	MULTISEP PINCH ROLL SPACE	M	M
RED	79	MULTISEP PINCH ROLL HIGHT	M	M
WHITE	78	MULTISEP PINCH ROLL HIGHT	M	M
YELLOW	76	MULTISEP ANGLE	M	M
GREEN	77	MULTISEP ANGLE	M	M
WHITE	371	MULTISEP REV.	M	M
BROWN	372	MULTISEP REV. EXTRA	M	M
ORANGE	*06	FULL STAR REV.	M	BC
RED	149	FULL STAR SPEED	M	BC
YELLOW	150	FULL STAR SPEED	M	BC
RED	*07	RIGHT STAR REV.	M	BC
BROWN	37	RIGHT STAR SPEED	M	BC
GREEN	38	RIGHT STAR SPEED	M	BC
BLUE	*08	LEFT STAR REV.	M	BC
WHITE	65	LEFT STAR SPEED	M	BC
PURPLE	66	LEFT STAR SPEED	M	BC
BROWN	*09	RIGHT STAR DIS. REV.	M	BC
ORANGE	145	RIGHT STAR DIS. SPEED	M	BC
BLUE	146	RIGHT STAR DIS. SPEED	M	BC
YELLOW	160	STEEL ROLL SPEED	M	BC
PURPLE	161	STEEL ROLL SPEED	M	BC
PURPLE	10	MULTISEP PINCH ROLL REVERS	M	M
WHITE	*01	AIR KNIFE SPEED TO IQAN	I	
BLACK	*02	AIR HEAD SPEED TO IQAN	I	
ORANGE	*03	LEFT PRIM SPEED TO IQAN	I	
YELLOW	*04	RIGHT PRIM SPEED TO IQAN	I	
BROWN	*05	SEC. SPEED TO IQAN	I	
WHITE	1	POWR TO ARM REST	P	
PURPLE	3	POWER TO ARM REST	P	
GREEN	2	POWER TO ARM REST	P	
BLUE	5	POWER TO ARM REST	P	

RED	4	POWER TO ARM REST	P	
ORANGE	144	NUTRAL SWITCH TO RELAYS	P	
ORANGE	143	NUTRAL SWITCH POWER	P	
		POWER TO POTS	I	
WHITE	B	POWER TO JOYSTICK	P	
GREEN	B	GROUND FOR JOYSTICK	P	
BLACK	B	BOOM LIFT	P	
W/BLACK	B	BOOM LIFT	P	
RED	B	BOOM SWING	P	
W/RED	B	BOOM SWING	P	
ORANGE	B	OUTER BOOM	P	
W/ORANGE	B	OUTER BOOM	P	
YELLOW	B	LEFT BLADE	P	
W/YELLOW	B	LEFT BLADE	P	
BROWN	B	MASTER BLADE	P	
W/BROWN	B	MASTER BLADE	P	
BLUE	B	RIGHT BLADE	P	
W/BLUE	B	RIGHT BLADE	P	
PURPLE	B	COULTERS	P	
W/PURPLE	B	COULTERS	P	
GRAY	B	PRIMARY HUMP	P	
W/GRAY	B	PRIMARY HUMP	P	
WT/BL/ORANGE	B	HORN	P	
WT/BL/PURPLE	B	HORN POWER	P	

HJV OVERHEAD				
COLOR	NUMBER	DISCRIPTION		
YELLOW	15	AIR HEAD FILTER WARNING	M	B
BLUE	*03	GROUND DRIVE FILTER WARNING	M	B
YELLOW	*020	LOW OIL WARNING	M	B
BROWN	88	POWER TO BACKUP LIGHT SWITCH	P	
RED	*081	POWER TO FUEL PUMP SWITCH	P	
BLACK	*0012	POWER TO 4X4 AND HI/LO RANGE	P	
BLACK	*017	POWER TO PARK BRAKE	P	
YELLOW	92	FLASHER STAT TO FLASHER SWITCH	P	
BLACK	*012	LO RANGE TO 150	M	B
BLACK	*01	4X4 TO HOLDING RELAYS	P	
RED	81	SWITCH TO FUEL PUMP	M	RT
BROWN	*06	SWITCH TO BACKUP LIGHT SWITCH	P	
YELLOW	*053	LEFT TURN	M	LT
BROWN	*054	RIGHT TURN	M	RT
BLACK	*059	BRAKE SWITCH TO CLUTCH SWITCH TO SMX	M	PLUG 5
BLACK	*0017	BRAKE SWITCH TO BRAKE SOLINOID	M	B
RED	*029	POWER TO STROBE SWITCH	P	
RED	29	SWITCH TO STROBE LIGHTS	P	

HJV JD CAB WIRES					
PIN #	COLOR	NUMBER	DISCRIPTION		
1	YELLOW	752	TANK TEMP	M	B
2	BROWN	505	RIGHT WORK LIGHT SWITCH TO RELAY	P	
3	YELLOW	753	TANK TEMP	M	B
4	GREEN	607	GROUND SPEED READOUT	I	
5	GREEN	425	PRIMARY TEMP	M	B
6	BROWN	503	ROAD LIGHT SWITCH TO RELAY	P	
7	RED	22	RADIO MEMORY TO NON DISCONNECT POWER	P	
8	RED	18	POWER TO WIPER	P	
9	BROWN	572	LEFT WORK LIGHTS TO RELAY	P	
10	RED	12	POWER TO RADIO	P	
11	BLUE	652	FUEL TANK SENDER	M	RT
12	BLACK	20	GROUND	P	
13	BROWN	504	CAB FIELD LIGHTS TO RELAY	P	
14	BROWN	507	CAB ROAD LIGHTS FROM RELAY	P	
15	GREEN	437	PRIMARY TEMP	M	B
16	BROWN	526	CAB FIELD LIGHT SWITCH TO RELAY	P	
17	RED	21	POWER TO CORNER POST	P	
18	RED	156	AUX OUTLET POWER	P	
19	GREEN	605	AIR HEAD RPM READOUT	M	LT
			AIR KNIFE SPEED READOUT	M	LT

RED

A/C POWER
CAMERA POWER

P
P

FUSE BLOCK #1				
SPOT	COLOR	NUMBER	DISCRIPTION	FUSE SIZE
1	WHITE	1	POWR TO ARM REST	20
2	PURPLE	3	POWER TO ARM REST	20
3	GREEN	2	POWER TO ARM REST	20
4	BLUE	5	POWER TO ARM REST	20
5	RED	4	POWER TO ARM REST	20
6	WHITE	B	POWER TO JOYSTICK	10

FUSE BLOCK #2 (NON KEY POWER)				
SPOT	COLOR	NUMBER	DISCRIPTION	FUSE SIZE
1	ORANGE	143	NUTRAL SWITCH POWER	5
2	RED	11	POWER TO KEY SWITCH	10
3	YELLOW	92	POWER TO FLASHER AND TURN STAT	15
4	RED	29	STROBE LIKE POWER TO SWITCH	15
5	RED	156	AUX OUTLET POWER	20
6	RED	?	SENSOR POWER	15

FUSE BLOCK #3				
SPOT	COLOR	NUMBER	DISCRIPTION	FUSE SIZE
1	RED	*015	POWER TO FLEX AIR SWITCH	5
2	RED	*081	POWER TO FUEL PUMP SWITCH	15
3	BROWN	88	POWER TO BACK-UP LIGHT SWITCH	5
4	BLACK	*0012	POWER TO 4X4 AND HI/LO RANGE	15
5	BLACK	*017	POWER TO PARK BRAKE	15
6	RED	21	POWER TO CORNER POST	15
7	RED	?	HUMPSHAFT AND STEEL ROLL REV RELAY POWER	
8			CAMERA POWER	15
9	RED	18	POWER TO WIPER	20
10	RED	12	POWER TO RADIO	20
11	RED	52	POWER TO FOOT PEDALS	20
12	RED		A/C POWER	25

TERMINATION STRIP			
SPOT	COLOR	NUMBER	DISCRIPTION
1			LEFT BLADE UP
2			MASTER UP
3			RIGHT BLADE UP
4			LEFT BLADE DOWN
5			MASTER DOWN
6			RIGHT BLADE DOWN

PLUG #5			COLUMN PLUG	
PIN #				
A	RED	11	ST87 HOT SIDE TERMINAL	
B	RED	13	ST87 IGNITION TERMINAL	
C	BROWN	502	POWER FROM TURN STAT	502 TO 507
D	WHITE	104	CLUTCH SWITCH N.C. TO RELAY	
E	BLACK	059	TO CLUTCH SWITCH N.O. POSITION TO F (5)	
F	RED	0015	TO SMX SWITCH - "COM" / N.O. ON SMXRED 15 TO SV4 SOLENOID	
G	BROWN	522	RIGHT TURN SIGNAL - BROWN 54 ON MACHINE	512 TO 522
H	BROWN	523	LEFT TURN SIGNAL - YELLOW 53 ON MACHINE	513 TO 523

Master Reset Switch ?

HJV IQAN LIST**GROUND DRIVE****BIN FILL****AUTO AIR HEAD****MASTER SEAT SWITCH****AIR HEAD CLEANER TIMER****PUMP CONTROL FOR LEFT PRIMARY, RIGHT PRIMARY, SECONDARY, AIR KNIFE, AIR HEAD****REAR STEERING**INPUTS:

1. AUTO AIR HEAD CLEANER
2. MANUAL DOWN AIR HEAD CLEANER
3. MANUAL UP AIR HEAD CLEANER
4. SEAT SWITCH FOR MASTER
- ~~5. RESET SWITCH FOR MASTER (OR ON SCREEN)~~
6. AIR KNIFE POT
7. AIR KNIFE ON
8. AIR HEAD POT
9. AIR HEAD ON
10. LEFT PRIMARY ON
11. LEFT PRIMARY POT
12. RIGHT PRIMARY ON
13. RIGHT PRIMARY POT
14. SECONDARY ON
15. SECONDARY POT
16. RIGHT STEER
17. LEFT STEER
18. CENTERING ON
19. AUTO BIN FILL
20. MANUAL UP BIN FILL
21. MANUAL DOWN BIN FILL
22. AUTO AIRHEAD ON
23. Neutral Switch orange 144.

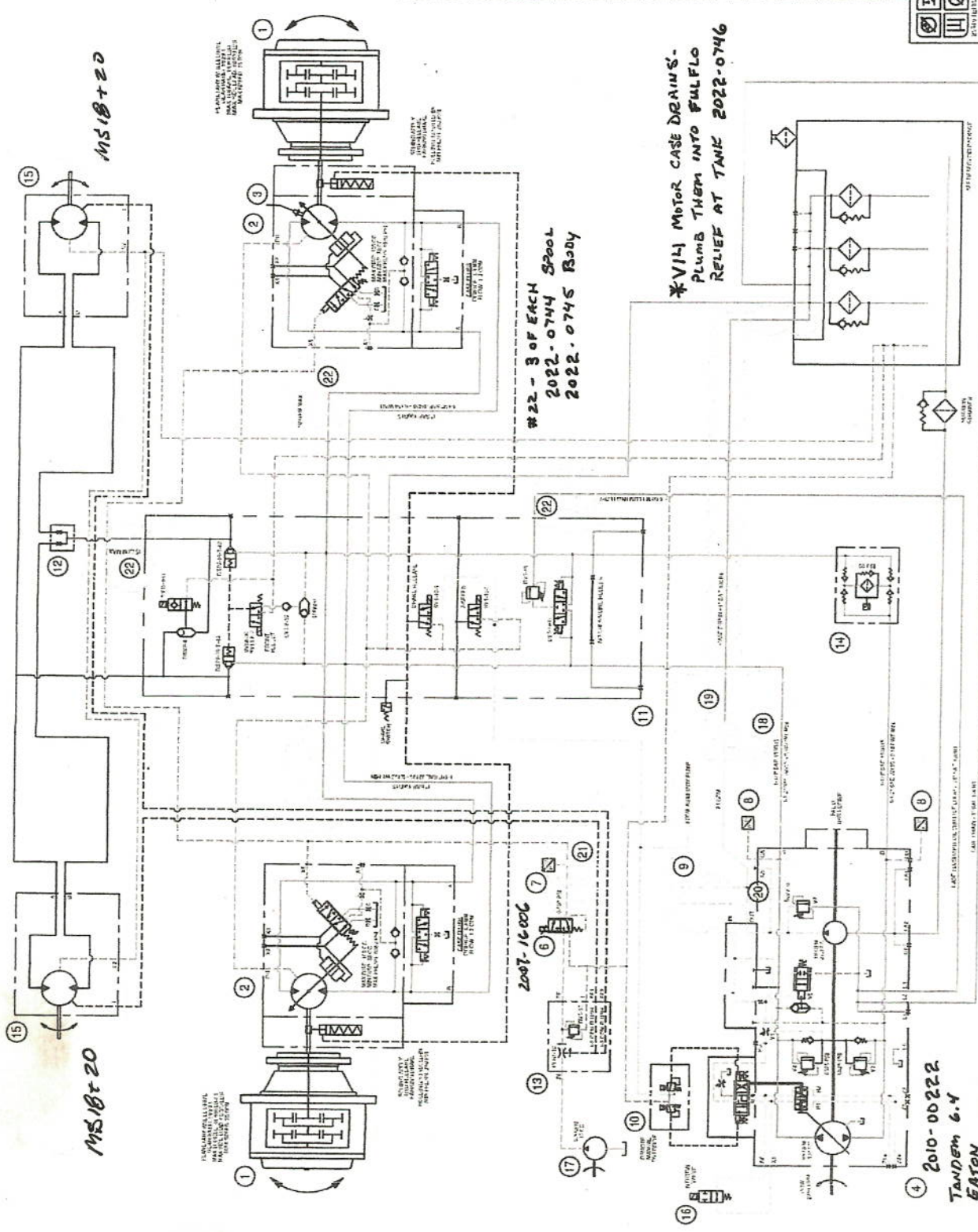
OUTPUTS:

1. AIR HEAD CLEANER UP
2. AIR HEAD CLEANER DOWN
3. STEER RIGHT
4. STEER LEFT
5. BIN UP
6. BIN DOWN
7. AIR KNIFE PUMP
8. AIR HEAD PUMP
9. LEFT PRIMARY PUMP
10. RIGHT PRIMARY PUMP
11. SECONDARY PUMP
12. GROUND DRIVE FWD. FRONT PUMP
13. GROUND DRIVE REV. FRONT PUMP
14. GROUND DRIVE FWD. BACK PUMP
15. GOUND DRIVE REV. BACK PUMP

#19095
HJV
MRS PH 72 AH

"ORIGINAL" NOT THE FINAL

ZONE	REV	DESCRIPTION	DATE
	A	Pre-merge concept drawing	30-Apr-2015



MS18+20

MS18+20

#22 - 3 OF EACH
2022-0744 SPOOL
2022-0745 BODY

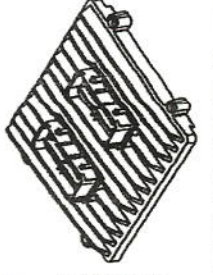
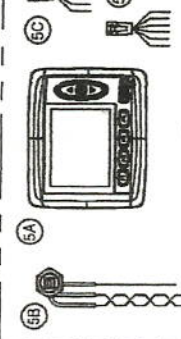
*V114 MOTOR CASE DRAINS -
PLUMB THEM INTO FULLFLO
RELIEF AT TANK 2022-0746

2010-00222
TANDEN 6.4
EATON

#9 - RL19V210S20MS10LC
2015-044

#17 & #18

#56 V210 ON Cummins' Aux. Drive



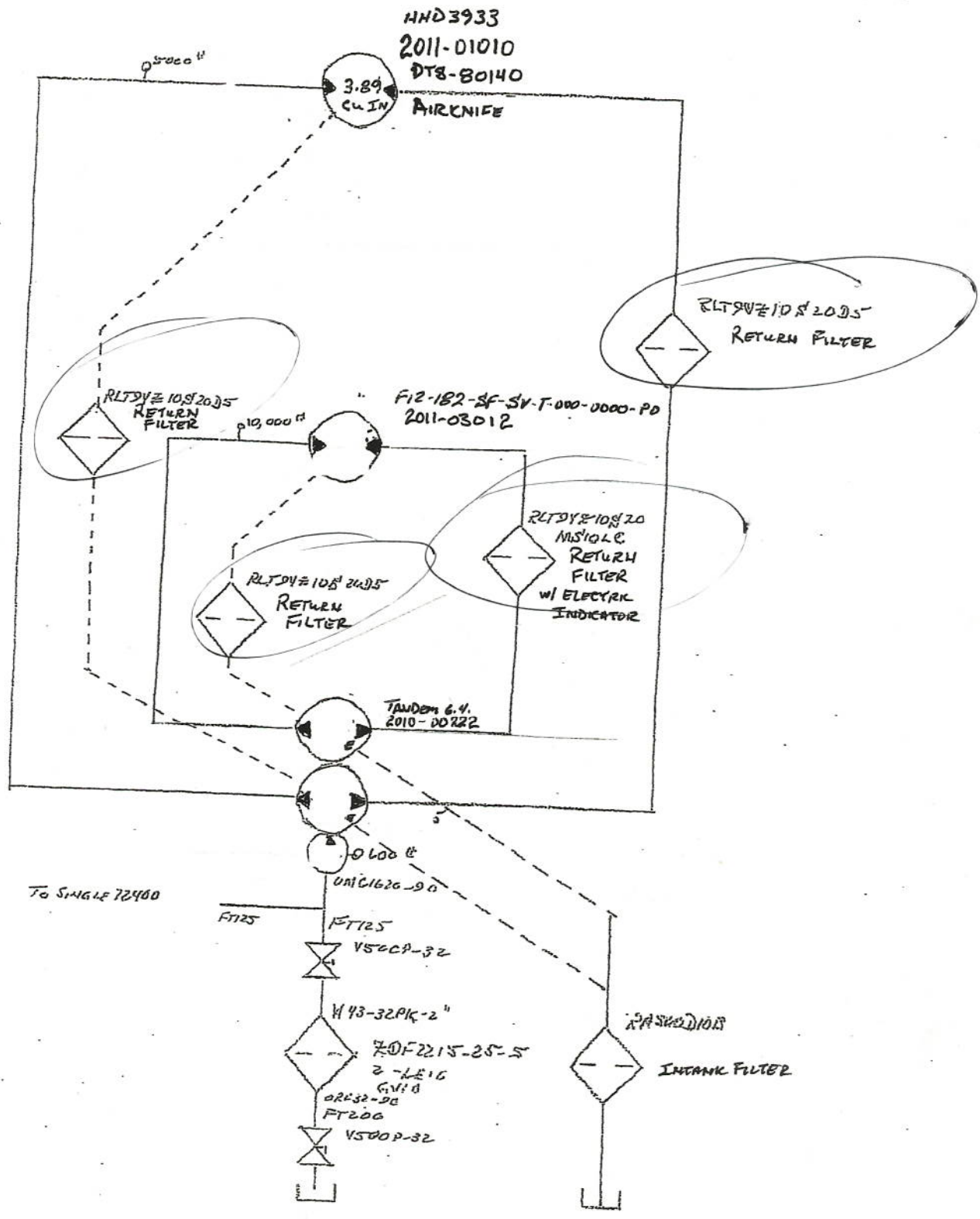
REV	DATE	DESCRIPTION
17	1	AFE SWAPLED - DASH VIA PUMP (3) 04
18	1	AFE SWAPLED - EXPO 34-10-0-0-103
19	1	AFE SWAPLED -
20	1	AFE SWAPLED - HIGH PRESSURE BACKCHECK VALVE
21	1	AFE SWAPLED - ONE PRIORITY HYDRAULIC BLOCK 078-0164
22	1	AFE SWAPLED - FLOW METER
23	1	AFE SWAPLED - ONE VARIABLE METERED 078-0164-E
24	1	PUMPER SINGLE (3) HYDRAULIC MOTOR INSTRUCTIONS
25	1	
26	1	
27	1	
28	2	PUMPER PRESSURE TRANSDUCER 500 BAR 2000113
29	1	PUMPER PRESSURE TRANSDUCER 35 BAR 2000113
30	1	PUMPER HYDRAULIC PRESSURE METERING VALVE 078-0164
31	1	PUMPER OHM C11 ELECTRONIC RESISTOR 2000100
32	1	PUMPER OHM C11 ELECTRONIC RESISTOR 171 2000101
33	1	PUMPER OHM C11 C2 2000113
34	1	PUMPER OHM C11 C2-0460 2000113
35	1	PUMPER OHM C11 C2-0460 2000113
36	1	PUMPER OHM C11 C2-0460 2000113
37	1	PUMPER OHM C11 C2-0460 2000113
38	1	PUMPER OHM C11 C2-0460 2000113
39	1	PUMPER OHM C11 C2-0460 2000113
40	1	PUMPER OHM C11 C2-0460 2000113
41	1	PUMPER OHM C11 C2-0460 2000113
42	1	PUMPER OHM C11 C2-0460 2000113
43	1	PUMPER OHM C11 C2-0460 2000113
44	1	PUMPER OHM C11 C2-0460 2000113
45	1	PUMPER OHM C11 C2-0460 2000113
46	1	PUMPER OHM C11 C2-0460 2000113
47	1	PUMPER OHM C11 C2-0460 2000113
48	1	PUMPER OHM C11 C2-0460 2000113
49	1	PUMPER OHM C11 C2-0460 2000113
50	1	PUMPER OHM C11 C2-0460 2000113
51	1	PUMPER OHM C11 C2-0460 2000113
52	1	PUMPER OHM C11 C2-0460 2000113
53	1	PUMPER OHM C11 C2-0460 2000113
54	1	PUMPER OHM C11 C2-0460 2000113
55	1	PUMPER OHM C11 C2-0460 2000113
56	1	PUMPER OHM C11 C2-0460 2000113
57	1	PUMPER OHM C11 C2-0460 2000113
58	1	PUMPER OHM C11 C2-0460 2000113
59	1	PUMPER OHM C11 C2-0460 2000113
60	1	PUMPER OHM C11 C2-0460 2000113
61	1	PUMPER OHM C11 C2-0460 2000113
62	1	PUMPER OHM C11 C2-0460 2000113
63	1	PUMPER OHM C11 C2-0460 2000113
64	1	PUMPER OHM C11 C2-0460 2000113
65	1	PUMPER OHM C11 C2-0460 2000113
66	1	PUMPER OHM C11 C2-0460 2000113
67	1	PUMPER OHM C11 C2-0460 2000113
68	1	PUMPER OHM C11 C2-0460 2000113
69	1	PUMPER OHM C11 C2-0460 2000113
70	1	PUMPER OHM C11 C2-0460 2000113
71	1	PUMPER OHM C11 C2-0460 2000113
72	1	PUMPER OHM C11 C2-0460 2000113
73	1	PUMPER OHM C11 C2-0460 2000113
74	1	PUMPER OHM C11 C2-0460 2000113
75	1	PUMPER OHM C11 C2-0460 2000113
76	1	PUMPER OHM C11 C2-0460 2000113
77	1	PUMPER OHM C11 C2-0460 2000113
78	1	PUMPER OHM C11 C2-0460 2000113
79	1	PUMPER OHM C11 C2-0460 2000113
80	1	PUMPER OHM C11 C2-0460 2000113
81	1	PUMPER OHM C11 C2-0460 2000113
82	1	PUMPER OHM C11 C2-0460 2000113
83	1	PUMPER OHM C11 C2-0460 2000113
84	1	PUMPER OHM C11 C2-0460 2000113
85	1	PUMPER OHM C11 C2-0460 2000113
86	1	PUMPER OHM C11 C2-0460 2000113
87	1	PUMPER OHM C11 C2-0460 2000113
88	1	PUMPER OHM C11 C2-0460 2000113
89	1	PUMPER OHM C11 C2-0460 2000113
90	1	PUMPER OHM C11 C2-0460 2000113
91	1	PUMPER OHM C11 C2-0460 2000113
92	1	PUMPER OHM C11 C2-0460 2000113
93	1	PUMPER OHM C11 C2-0460 2000113
94	1	PUMPER OHM C11 C2-0460 2000113
95	1	PUMPER OHM C11 C2-0460 2000113
96	1	PUMPER OHM C11 C2-0460 2000113
97	1	PUMPER OHM C11 C2-0460 2000113
98	1	PUMPER OHM C11 C2-0460 2000113
99	1	PUMPER OHM C11 C2-0460 2000113
100	1	PUMPER OHM C11 C2-0460 2000113

AM-DYN-IC FLUID POWER

AM-DYN-IC FLUID POWER INC.
 5300 INDUSTRIAL LANE • CHANDLER, AZ 85226
 (480) 948-8888 • FAX (480) 948-8889
 WWW.AM-DYN-IC.COM

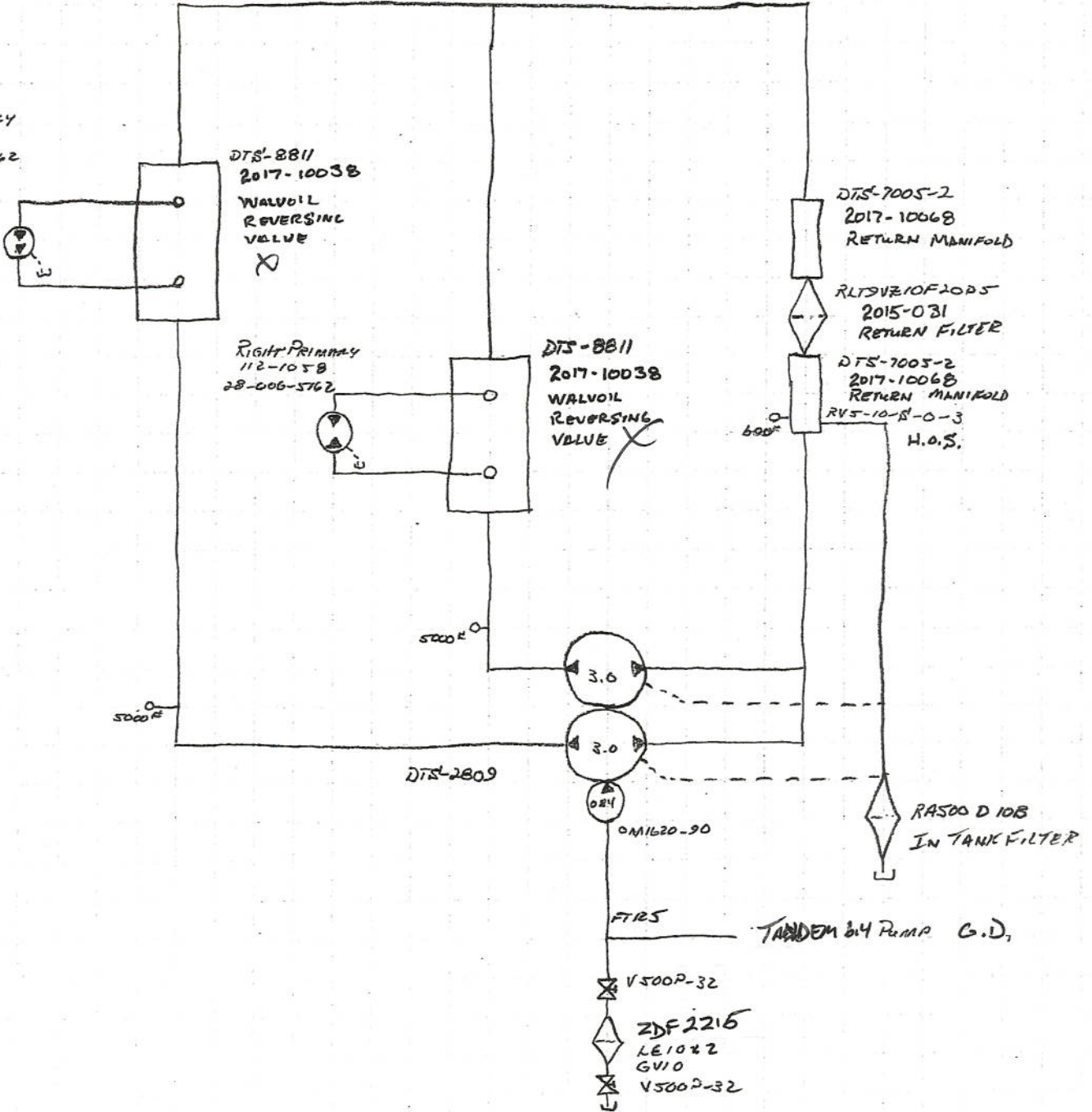
THIS DRAWING IS THE PROPERTY OF AM-DYN-IC FLUID POWER INC.
 ANY REPRODUCTION OR COPY OF THIS DRAWING OR CONTENTS
 IS PROHIBITED WITHOUT THE WRITTEN PERMISSION OF
 AM-DYN-IC FLUID POWER INC. IN WRITING OR BY E-MAIL.

CUSTOMER: Advanced Farm Equip
 DRAWN BY: JRG DATE DRAWN: 05/10/15
 APPROVED BY: DATE APPROVED:
 SCALE: NTS (1:1) (1:2) AND (1:4)



#19095
HSV
4R3PH72AH.

LEFT PRIMARY
112-1058
28-006-5762



DTS-8811
2017-10038
WALVOIL
REVERSING
VALVE

RIGHT PRIMARY
112-1058
28-006-5762

DTS-8811
2017-10038
WALVOIL
REVERSING
VALVE

DTS-7005-2
2017-10068
RETURN MANIFOLD

RLTSVZ10F20P5
2015-031
RETURN FILTER

DTS-7005-2
2017-10068
RETURN MANIFOLD
RV5-10-S-0-3
H.O.S.

DTS-2809

3.0

3.0

0M1620-90

FTR5

TANDEM 614 PUMP G.D.

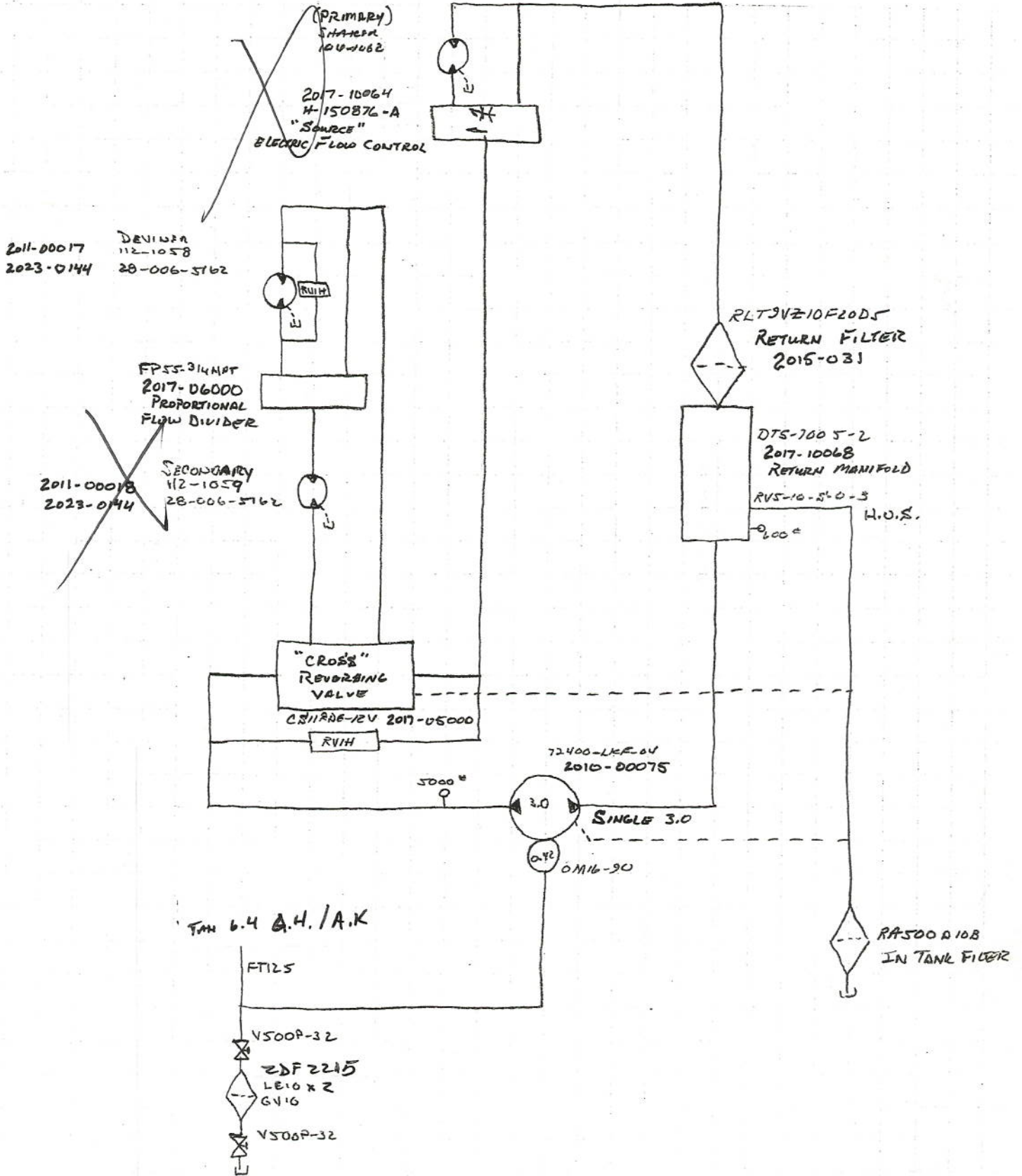
V500P-32

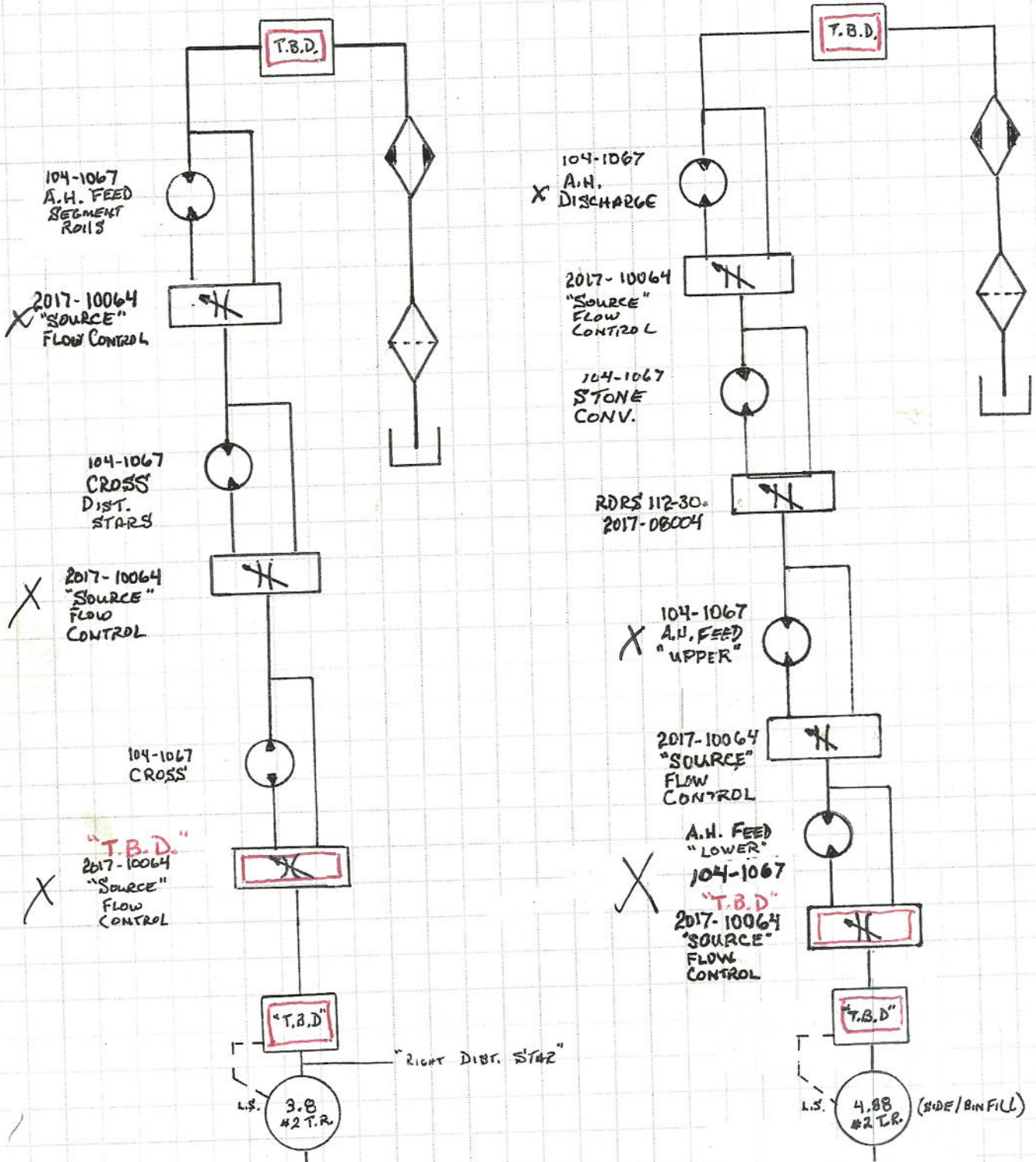
ZDF2216
LE10&2
GV10
V500P-32

RASOO D 108
IN TANK FILTER

2017-10064 → 1

#19095
HJV
4125PH 72AH

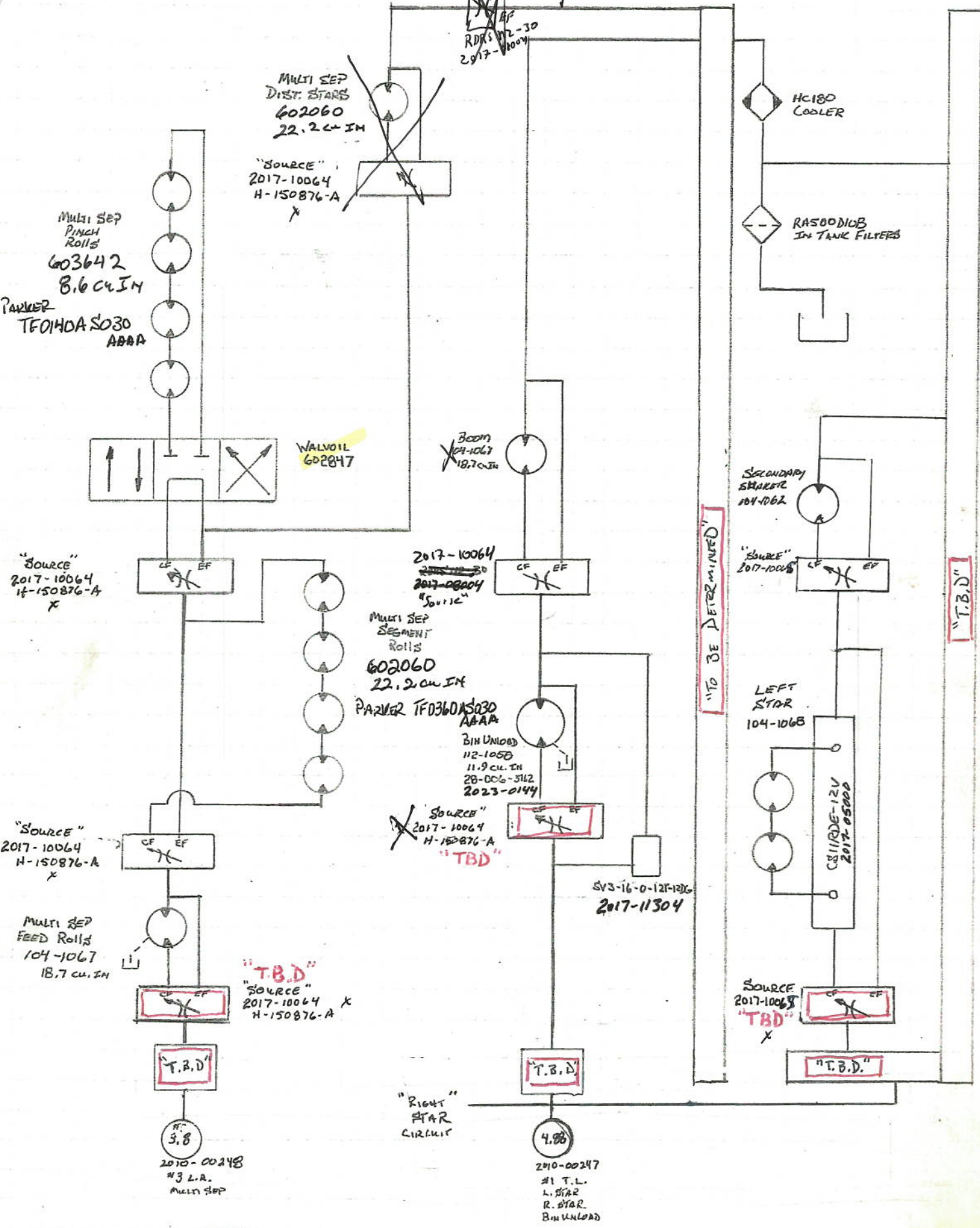




2017-10064 → 7
2017-10065 → 2

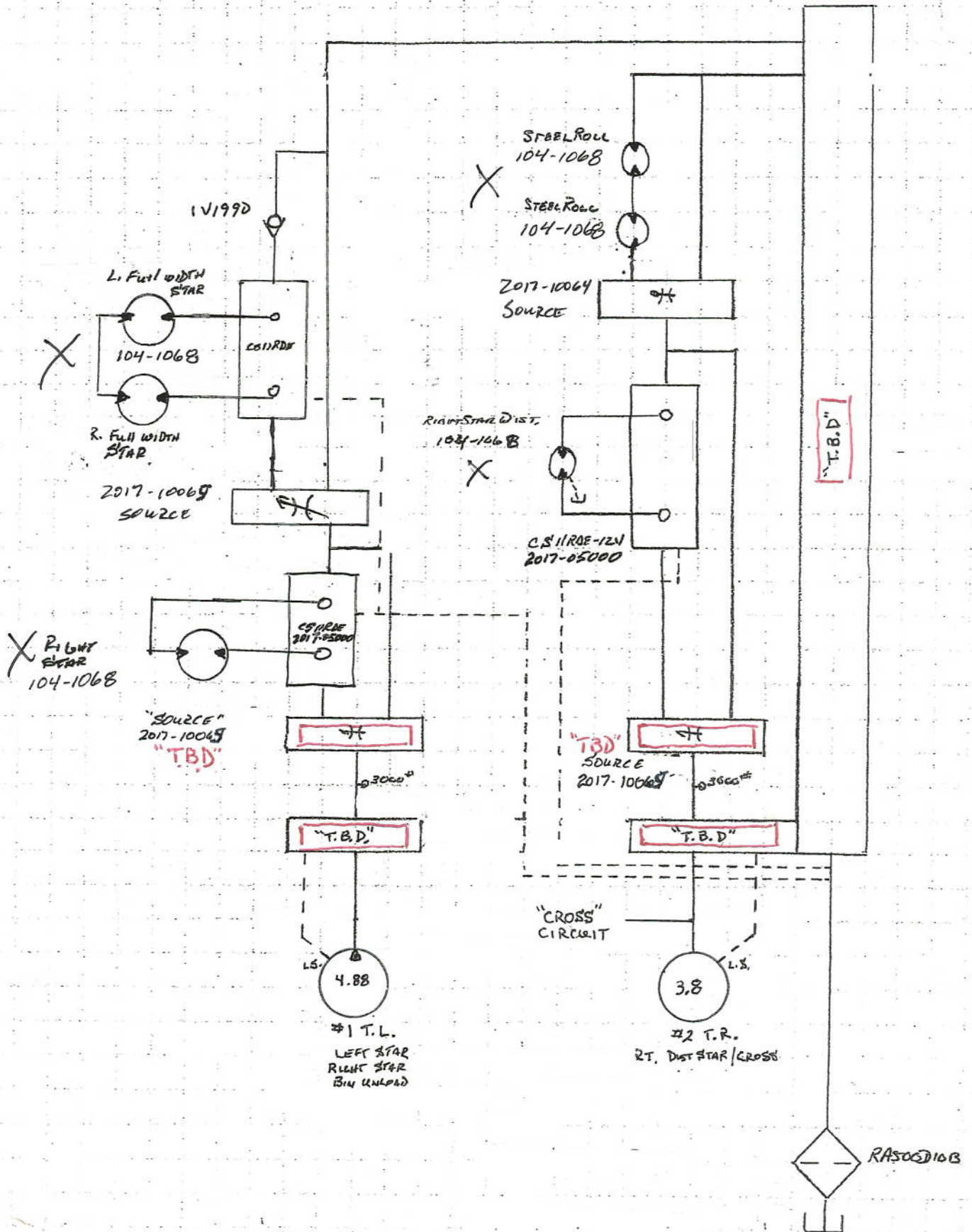
104-102
RDRS 102-30
2017-10004

#19095
HJV
4RSPH 72AH

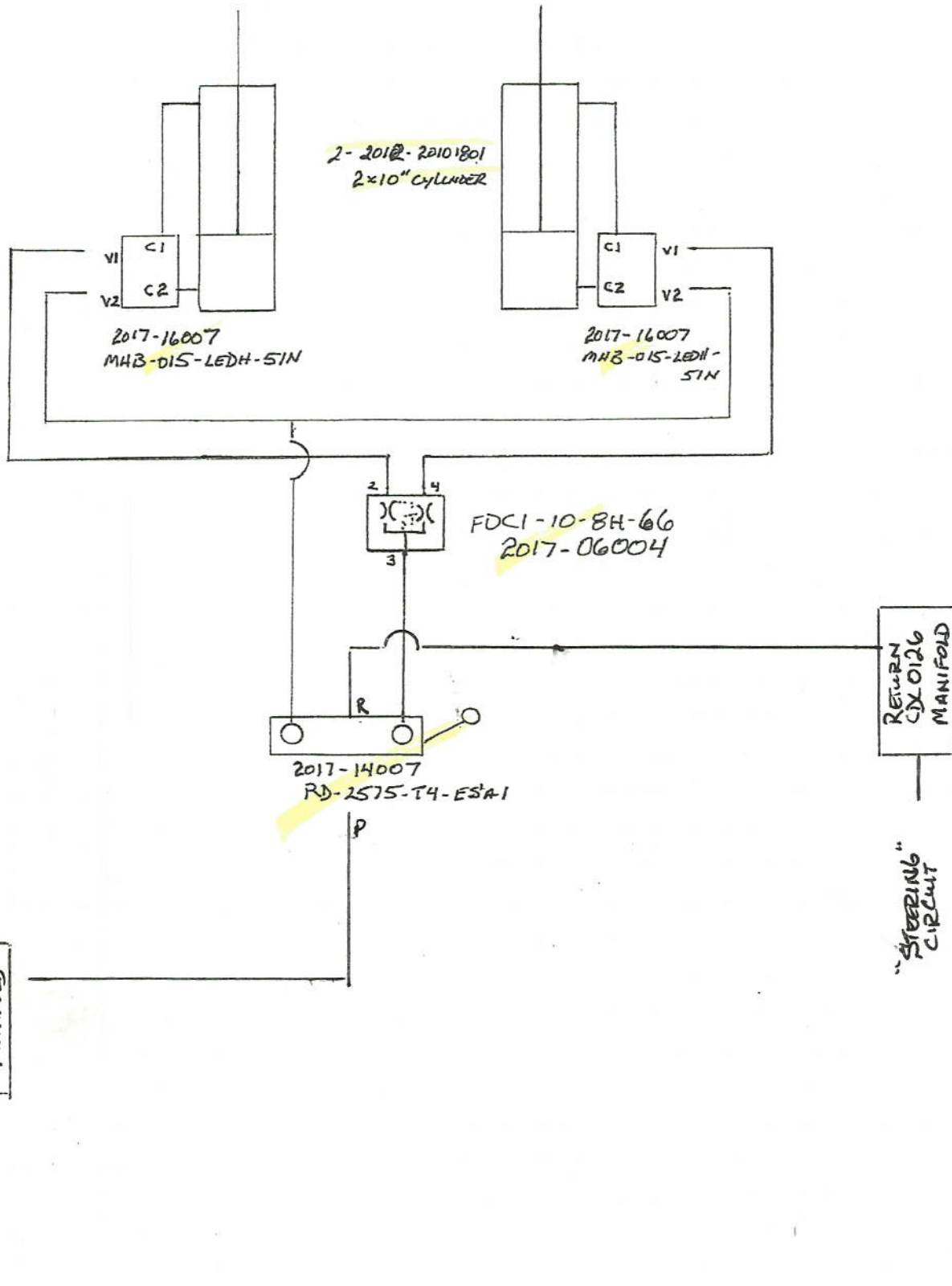


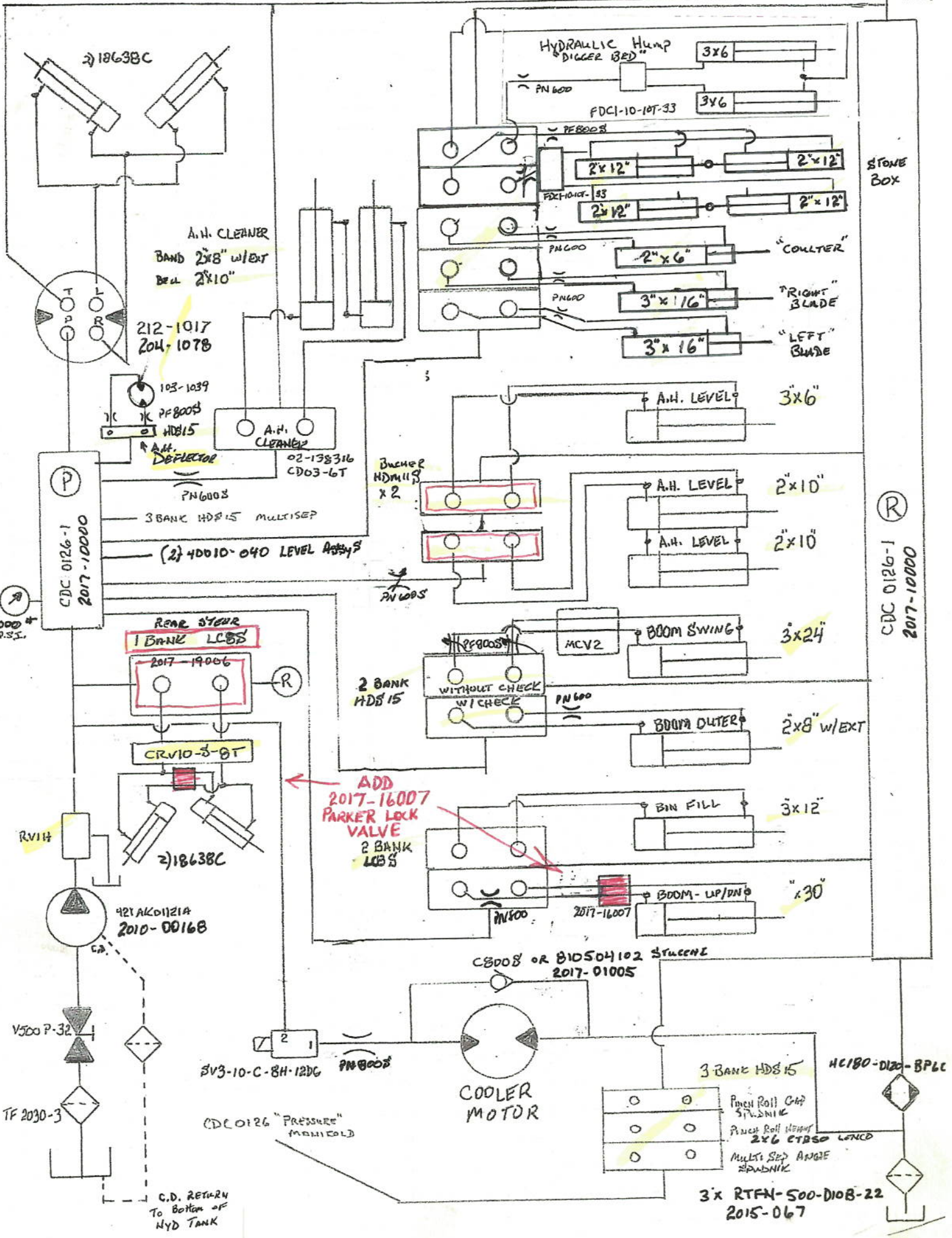
2017-10069 → 4

419075
HJV
41RSPH 22AH



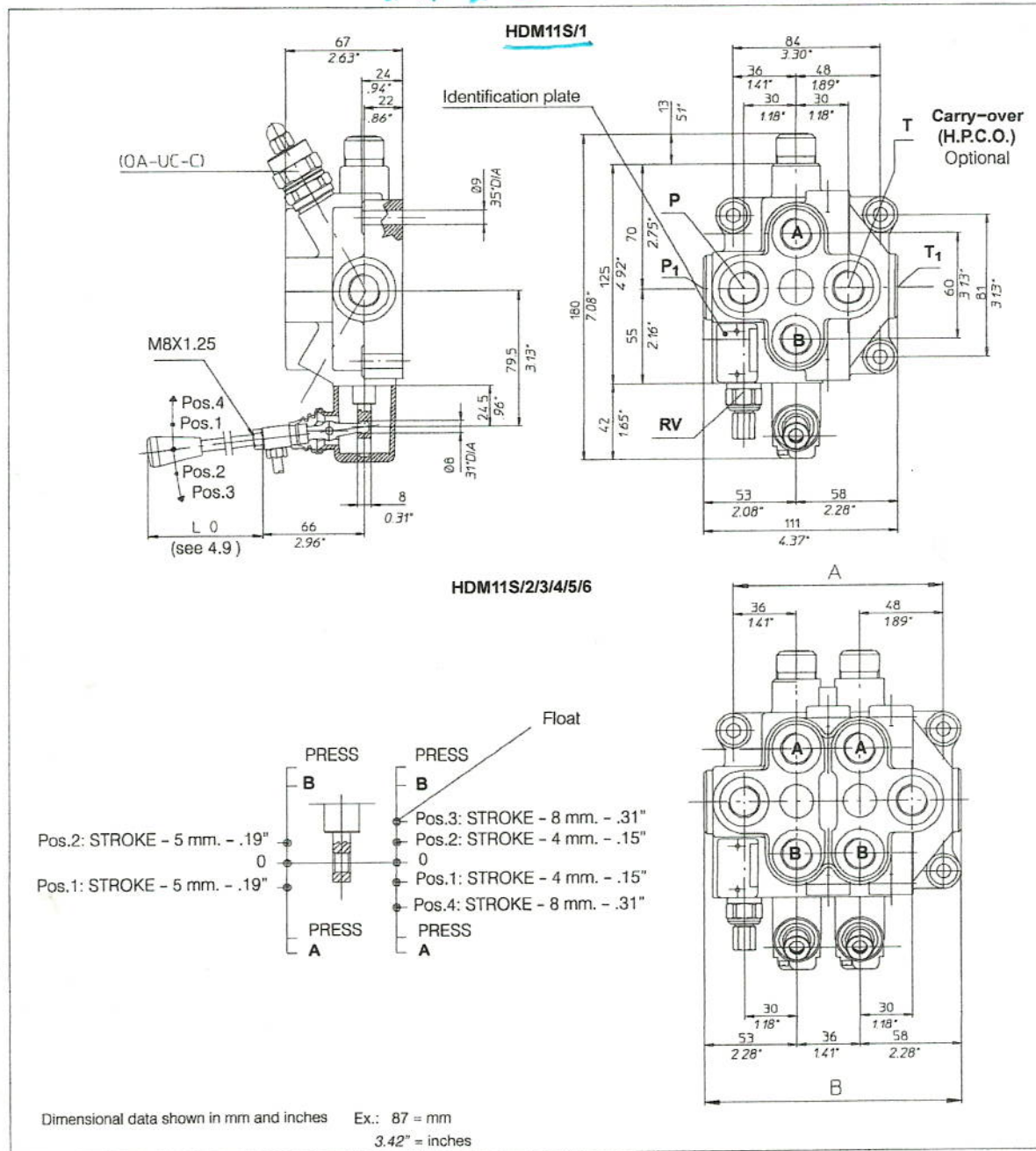
AIRHEADS "LOWERING"





NEW DESIGN 2019
 A.H. LEVELING
 "MANUAL" REPLACES MV3
 2017-2000

4.2 Dimensional data



N. of sections		HDM11S/2	HDM11S/3	HDM11S/4	HDM11S/5	HDM11S/6
Dimension	A	120	156	192	228	264
		4.72"	6.14"	7.56"	9.98"	10.40"
Dimension	B	147	183	219	255	291
		5.78"	7.20"	8.62"	10.04	11.45"

4" FWM

TF2540-3
 2 1/2" 90 ST EL
 2 1/2" CLS NIP
 2 BVL20-40B
 2 1/2" TEE 2 1/2" 90 st el
 2 1/2"x2" Bush 2 1/2"x2"bush

3" x 2" BUSH
 2" CLS NIP
 V500P-32
 FT 200
 ORF32-90
 ZDF2215-25-5
 W43-32PK
 2" 90 ST EL
 2" CLS NIP
 V500P-32
 2" CLS NIP
 2" TEE

2404-32 #2 3.8
 2404-32 #3 3.8

2" x 1 1/4" BUSH 2" 90 ST EL
 2404-20 2"x1/4" BUSH
 2404-20
 TANDEM 6.4 TANDEM 3.0
 #3 L.R. #1 T.L.

3" FWM

TF2030-3
 2" CLS NIP
 V500P-32
 2" 90 ST EL
 2" TEE 2" 90 ST EL

2404-32 #2 3.8
 V2010 #2 4.88

3" FWM

TF2030-3
 2" 90 ST EL
 2" CLS NIP
 V500P-32

3" FWM

TF2030-3
 2" 90 ST EL
 2" CLS NIP
 V500P-32
 #1 4.88

4"x2" BUSH
 2" CLS NIP
 V500P-32
 FT 200
 ORF32-90
 ZDF2215-25-5
 W43-32PK
 2" 90 ST EL
 2" CLS NIP
 V500P-32
 2" CLS NIP
 2" TEE

2"x1 1/4" BUSH 2"x11/4" BUSH
 1 1/4" 45 ST EL 2404-20
 2404-20 72400
 TANDEM 6.4 #4 L.L.
 #4 L.L.

STEERING

2010-00248 _2"
 3.8
 420
 B 13T

DIST. STAR CROSS

2010-00248 _2"
 3.8
 420
 B 13T

R & R 15T 13T COUPLER
 SIDE
 BIN FILL
 421AK02266C

864307 _2"
 2010-00247
 4.88
 C 14T

#2 T.R.

L. PRIMARY

A 11T
 3.0 _ 1 1/4"
 DTS 2809
 2010-00092

R. PRIMARY

3.0
 B 15T

L. STAR

2010-00247

R. STAR

4.88

BIN UNLOAD

C 14T

#1 T.L.

Multi-Sep

421AK00767C

B 13T
 2010-00248
 3.8 _2"
 420

B 13T
 6.4 _ 1 1/4"

2010-00222
 Tandem 6.4
 Ground DRIVE

6.4
 D 13T

#3 L.R.

SECONDARY

A 11T
 3.0 _ 1 1/4"
 72400
 2010-00075

AIR KNIFE

B 15T R & R 13T W/ 15T
 6.4 _ 1 1/4"

AIR HEAD

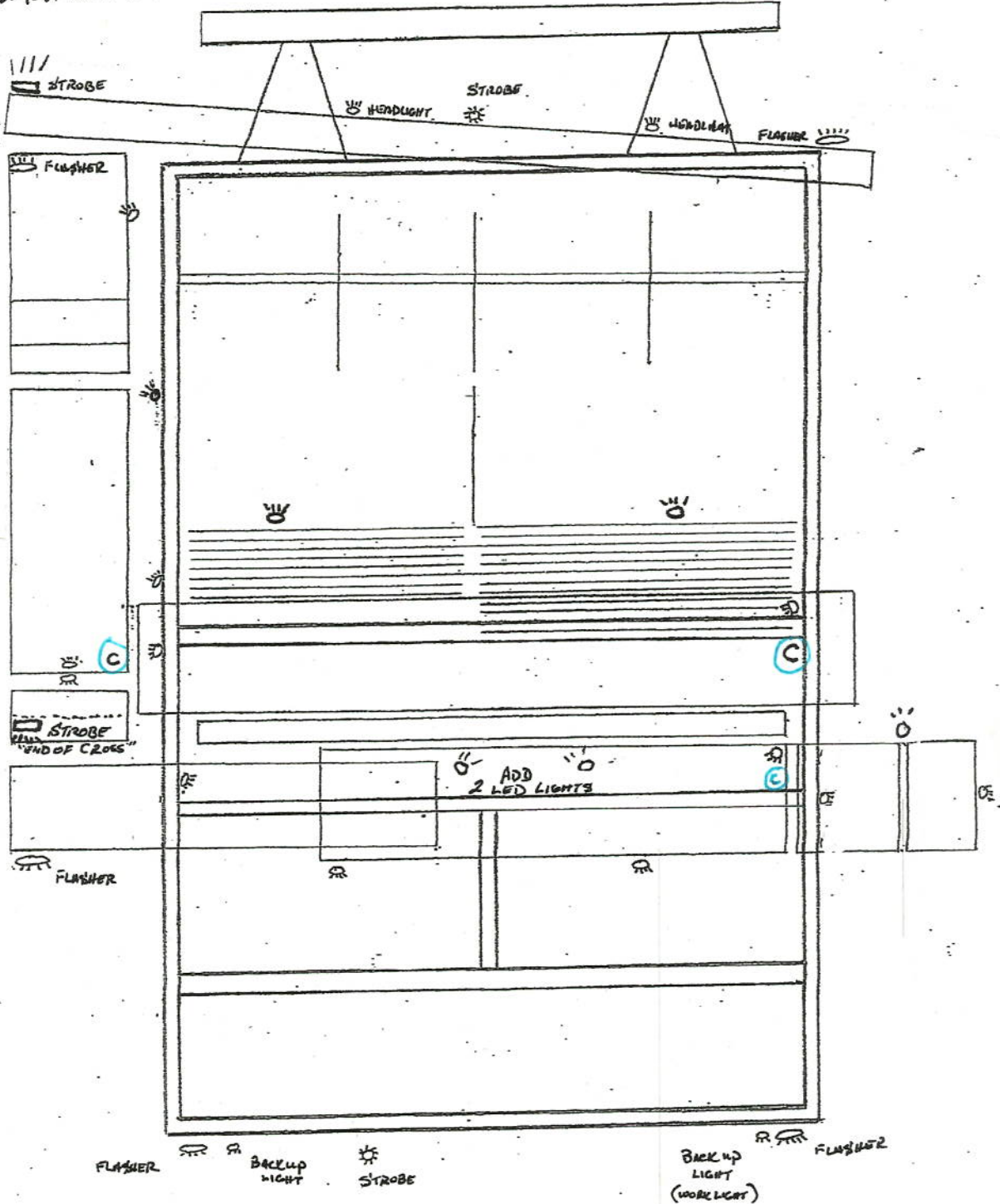
2010-00222
 Tandem 6.4

6.4
 D 13T

#4 L.L.

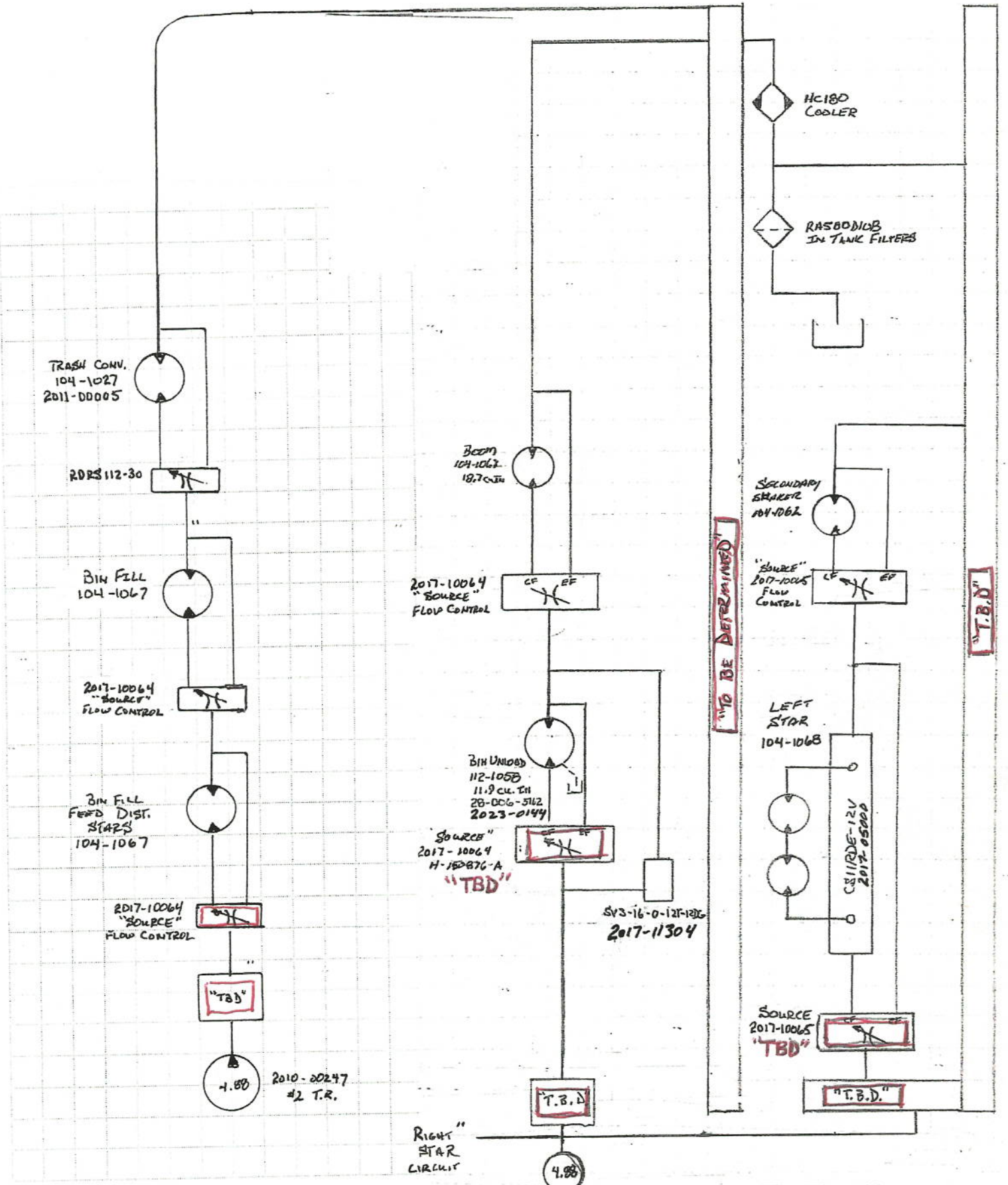
11/2" _ V2010
 BRAKE CH. G.D. MAKE UP

- 4 - Strobe
- 2 - yellow Flash 2001-1078
- 3 - Red Flasher 2001-
- 2 - Spot Light
- 18 - work LMS 2001-1047
- 2 - Small work LMS



+ CAMERA BRACKETS FOR UPPER SIDE AND KNIFE & CROSS & BIN

#19095
HJV
4RSPH 72AH



DTS - ILLINOIS
2240 LANDMEIER ROAD
ELK GROVE VILLAGE, IL 60007
PH: 847-758-1705
FAX: 847-758-1710

2910-00247
#1 T.L.
L. STAR
R. STAR
BIN UNLOAD

"TO BE DETERMINED"

"T.B.D."

Right "STAR" CIRCUIT

SOURCE 2017-10065 "T.B.D."

LEFT STAR 104-1068

2017-10064 "SOURCE" FLOW CONTROL

"SOURCE" 2017-10064 H-150976-A "T.B.D."

BIN UNLOAD 112-1058 11.9 cu. in 28-006-512 2023-0144

300M 104-1062 18.7 cu. in

SECONDARY STAR 2017-10062

RASBONDIB IN TANK FILTERS

HC180 COOLER

TRASH CONV. 104-1027 2011-00005

BIN FILL 104-1067

2017-10064 "SOURCE" FLOW CONTROL

BIN FILL FEED DIST. STARS 104-1067

2017-10064 "SOURCE" FLOW CONTROL

4.88 2010-00247 #2 T.R.

4.88

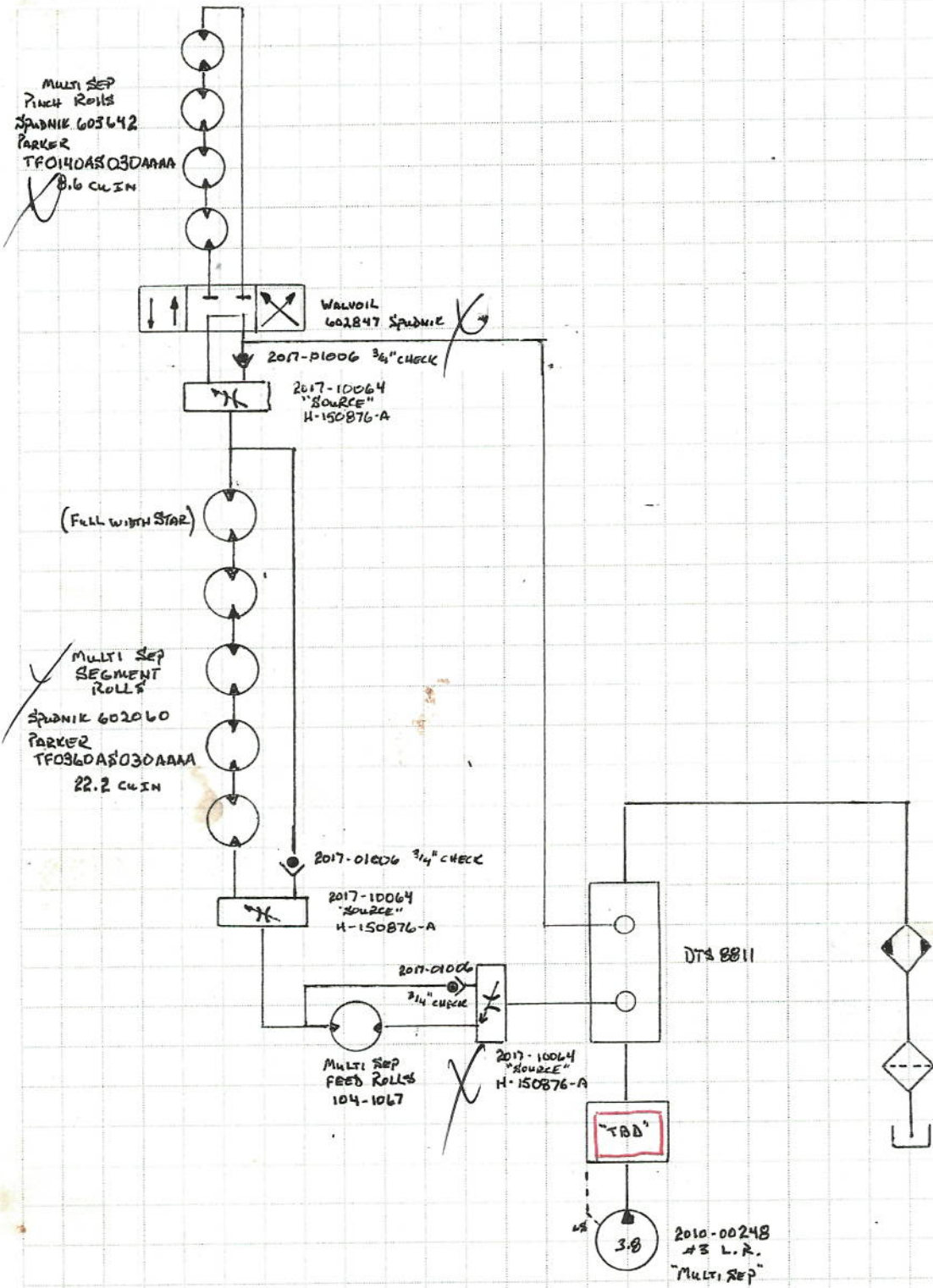
SV3-16-0-12-126 2017-11304

CS11RDE-12V 2017-05000

"T.B.D."

"T.B.D."

"T.B.D."



DTS - ILLINOIS
2240 LANDMEIER ROAD
ELK GROVE VILLAGE, IL 60007
PH: 847-758-1705
FAX: 847-758-1710

DTS - HEADQUARTERS
3560 BUSCH DRIVE
GRANDVILLE, MI 49418
PH: 616-538-3759
FAX: 616-538-3798

DTS - MADISON HEIGHTS
31731 SHERMAN DRIVE
MADISON HEIGHTS, MI 48071
PH: 248-585-9500
FAX: 248-585-0855