

LEFT/RIGHT WIRING

Wire #	Description	Wire #	Description
54	RIGHT TURN	54	BROWN FRONT
34	LEFT WORK LIGHTS CAB FORWARD	34	BLACK
153	LEFT PRIMARY REVERSE	153	BROWN
81	FUEL PUMP	81	RED
58	FUEL GAUGE SENDER	58	WHITE
94	ROAD LIGHTS	94	PURPLE
53	LEFT TURN	53	YELLOW
151	LEFT PRIMARY RDRS ACTUATOR	151	BLACK
152	LEFT PRIMARY RDRS ACTUATOR	152	RED
116	COULTER MV5 (ORANGE 41)	116	YELLOW
117	COULTER MV5	117	BROWN
118	BLADE MV5 (RED 40)	118	RED
119	BLADE MV5	119	BLACK
118	RED 40 COULTER LIFT MICRO "COM"		
10	(RED 118)		
13	(4)		
9	12 (4)		
8	11 (4)		
7	10 (4)		
1	37(2)		
2	35(2)		
6	8(2)		
4	11 (3)		
5	12 (1)		
1	1(2)		
3	7 (2)		
340	LEFT WORK LIGHTS CAB REAR	340	BLACK
6	LEFT BACK UP LIGHT	6	BROWN
53	LEFT TURN	53	YELLOW
149	SECONDARY DTS-2481B ACTUATOR	149	RED
150	SECONDARY DTS-2481B ACTUATOR	150	YELLOW
82	SECONDARY DTS-2481B SOLENOID	82	RED
35	ENGINE / PUMP LIGHTS	35	PURPLE
7015	CLUTCH SWITCH TO SMX SWITCH	7015	RED
123	PRIMARY TEMPERATURE SENDER	123	BROWN
437	PRIMARY TEMP GAUGE TO GROUND BY SENDER	437	GREEN
55	REAR STEERING BOX RELAYS	55	BLUE
56	REAR STEERING BOX RELAY	56	ORANGE
83	REAR STEERING BOX RELAY	83	PURPLE
39	VINE BELT REVERSE	39	WHITE
61	CROSS CONVEYOR SPX SWITCH "N.O."	61	WHITE
201	PRIMARY PUMP COIL GROUND TO PANEL GROUND	201	GREEN
202	PRIMARY PUMP COIL SIGNAL TO DRIVER CARD "PWN A"	202	BLACK
3		3	
13	(1)		
12	P		
23	(2)		
1			
3			
14	P		
15	(3)		
9	36 (2)		
16	(3)		
5	14 (4)		
6	16 (4)		
8	24 (1)		
15	16 (3)		
16	(5)		
2	P		
7	18 (2)		
11	30 (2)		
10	29 (2)		
4	8 (2)		
1	P		
14	P		

Make To Wire Cons

Pic No.

Right Coil Shift Eng Press. Part "A"

Coil
Pot 2 2 2 2 1 Gas

LEFT

LEFT

LEFT/RIGHT WIRING

2-3-03

6RSPST

PRESTON PRODUCE

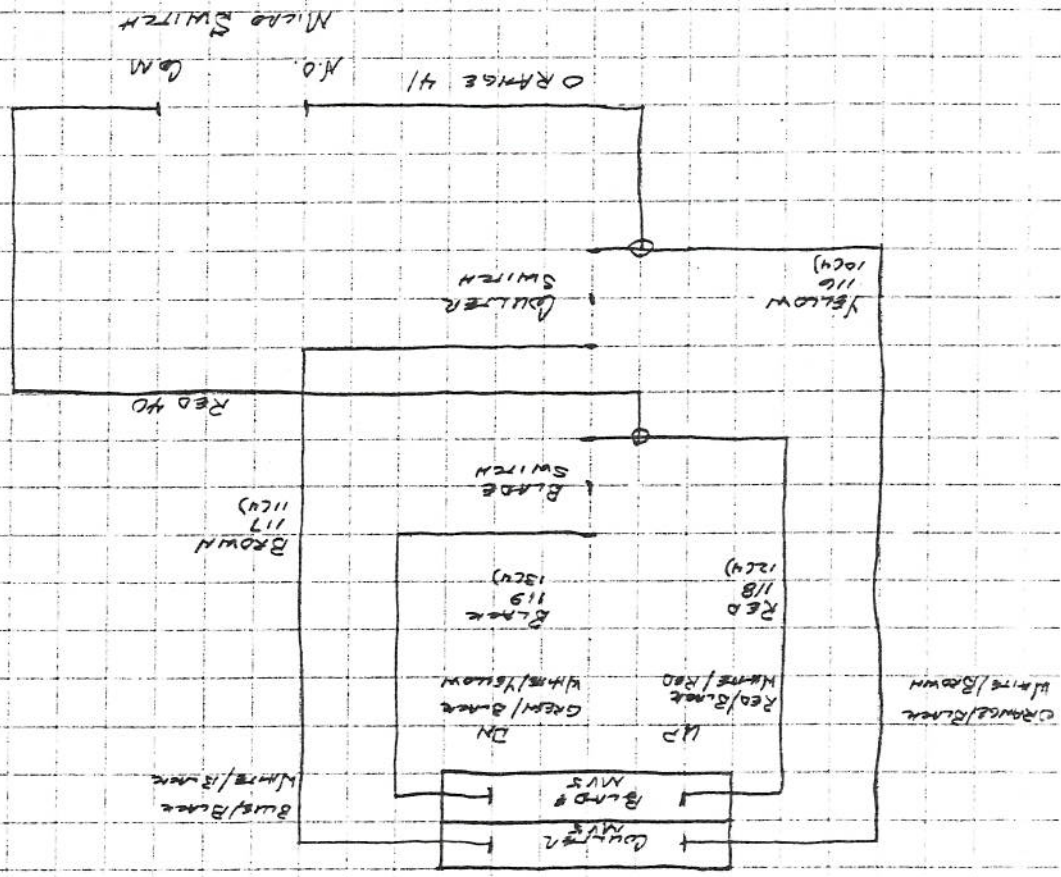
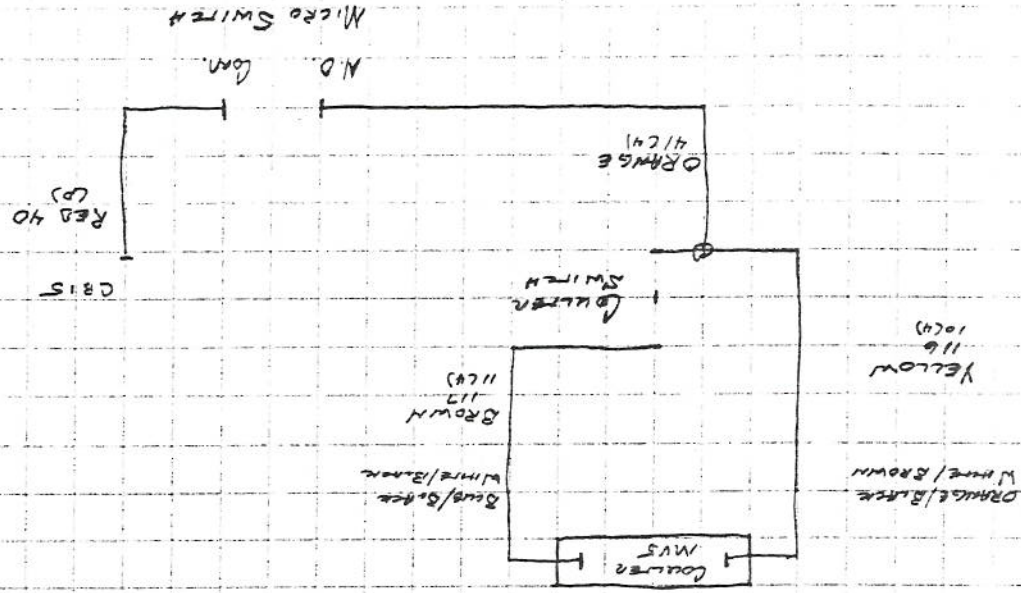
#02206

RIGHT	FRONT	RIGHT	REAR	RIGHT
	36	RIGHT WORK LIGHTS CAB FORWARD	BLUE	
	154	RIGHT PRIMARY REVERSE	ORANGE	
	32	PRIMARY VIBRATOR RDRS ACTUATOR	RED	
	33	PRIMARY VIBRATOR RDRS ACTUATOR	YELLOW	
	145	RIGHT PRIMARY RDRS ACTUATOR	ORANGE	
	146	RIGHT PRIMARY RDRS ACTUATOR	BLUE	
	110	OUTER BOOM MV5	ORANGE	
	111	OUTER BOOM MV5	BLUE	
	112	BOOM LIFT MV5	WHITE	
	113	BOOM LIFT MV5	BROWN	
	114	BOOM SWING MV5	PURPLE	
	115	BOOM SWING MV5	GREEN	
	-360	RIGHT WORK LIGHTS CAB REAR	BLUE	
	-54	RIGHT TURN	BROWN	
	6	RIGHT BACK UP LIGHT	BROWN	
	25	HYDRAULIC OIL LEVEL SENSOR	YELLOW	
	20	HYDRAULIC OIL LEVEL SENSOR	YELLOW	
	23	HYDRAULIC OIL TEMPERATURE SENDER	RED	
	-31	TRASH FAN SPEED SENSOR TO GROUND	WHITE	
	-605	TRASH FAN SPEED SENSOR	GREEN	
	4 (4)	OUTER BOOM MV5		
	5 (4)	OUTER BOOM MV5		
	6 (4)	BOOM LIFT MV5		
	7 (4)	BOOM LIFT MV5		
	8 (4)	BOOM SWING MV5		
	9 (4)	BOOM SWING MV5		
	10	RIGHT WORK LIGHTS CAB REAR		
	11	RIGHT TURN		
	12	RIGHT BACK UP LIGHT		
	13	HYDRAULIC OIL LEVEL SENSOR		
	14	HYDRAULIC OIL LEVEL SENSOR		
	15 (4)	HYDRAULIC OIL TEMPERATURE SENDER		
	2	TRASH FAN SPEED SENSOR TO GROUND		
	5	TRASH FAN SPEED SENSOR		

None to Cab

No.

Automatic Coupler Lift with Hydro Reverse Direction



Automatic Coupler Lift

7/9/02
B02205
SALZBERG

GAUGE AND PIN WIRING

#02206 PRESTON PRODUCE 6RSPST 10-24-02

SPEEDOMETER- DTS-0160 MULTIPLIER

CAB	GREEN 607	PULSE-INPUT	POCLAIN
RED CB4	12VDC		BLACK
GREEN	GROUND		BROWN
OUT			BLUE
			IN

DTS-0373B/DTS-0198C
#1 12VDC
#2 GROUND

SMX PRESSURE SWITCH

#1	12VDC	RED	0015	15(5)	CLUTCH PEDAL SWITCH N.O. TO DTS-0150 SMX COM.
#2	N.C.				
#3	N.O.	RED	15		DTS-0150 SMX-N.O. TO SV4-10-0-6T-12DG

FAREY FILTER

#1 12VDC
#2 N.C.
#3 N.O.
GROUND

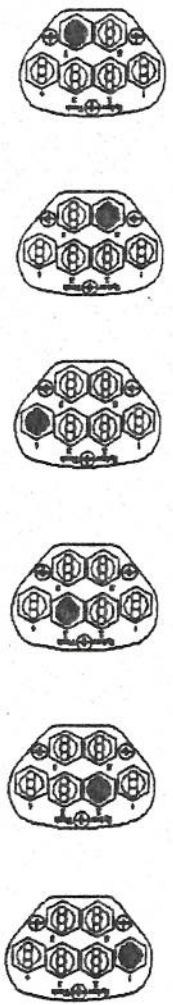
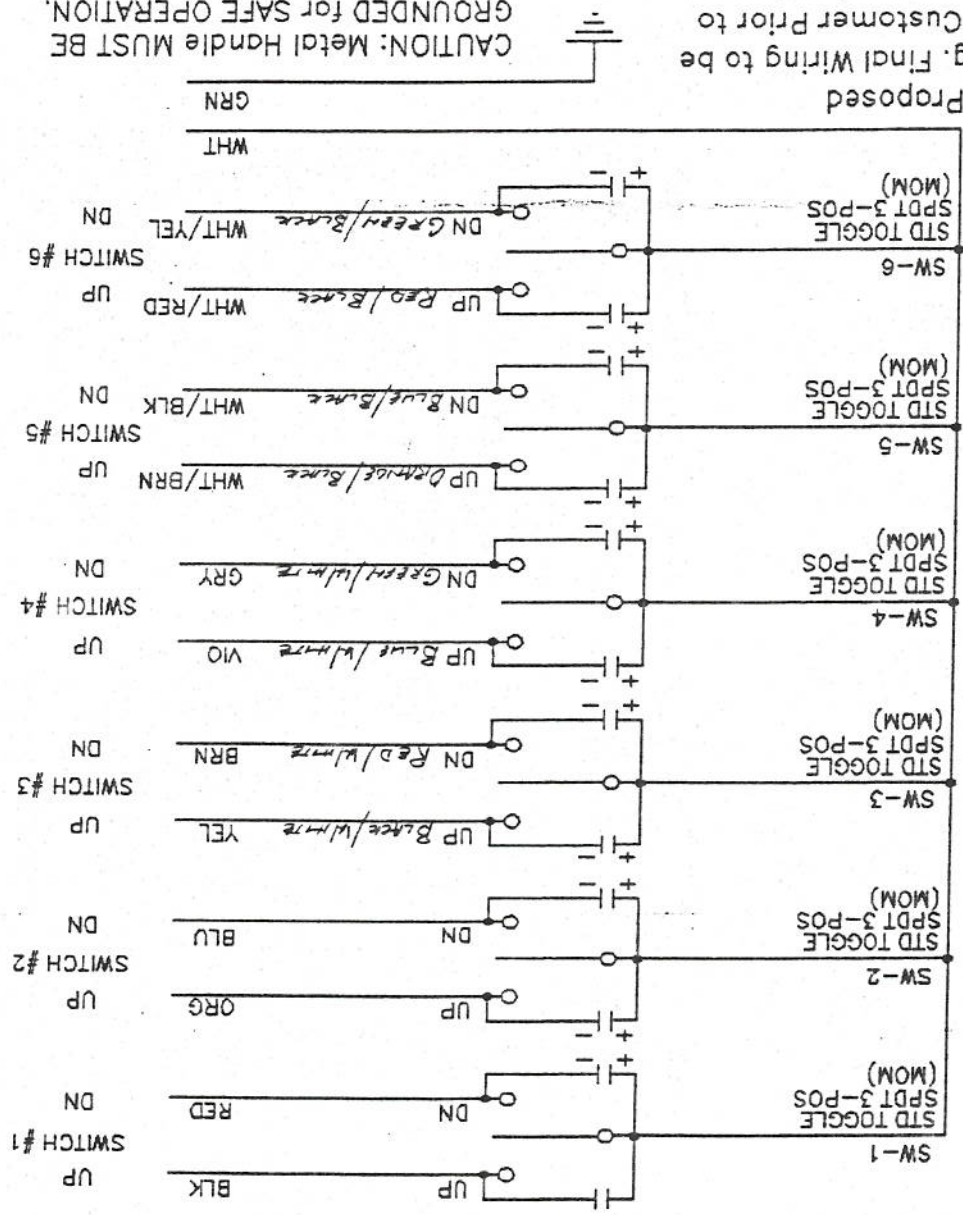
PRIMARY CIRCUIT DIGITAL TEMPERATURE GAUGE (ITC-B2508)

GREEN 437	OIL TEMP. GAUGE- BLACK	GREEN 437 TO DTS-0198C GROUND
GREEN 425	OIL TEMP. GAUGE- BLUE	BROWN 123 TO DTS-0198C SENDER
	OIL TEMP. GAUGE- PURPLE	NOT USED
	OIL TEMP. GAUGE- WHITE	NOT USED
	OIL TEMP. GAUGE- RED	12VDC

SCALE	NONE	DATE	3-12-92	SHEET	2 OF 2
CYBER-TECH, INC	P.O. BOX 23801	PORTLAND, OREGON	97281-3801	DWG. NO.	SK-920721-01
TITLE	SHCNEMATIC DIAGRAM		APPROVED BY		
CUSTOMER	LENCO MACHINE & TOOL CO.		DRAWN BY GBSR		
MODEL	8900		REV		

NOTES:
 1-Cyber-Tech, Inc. Proposed
 APPROVED by the Customer Prior to
 Handy-Grip Wiring. Final Wiring to be
 Manufacture and Installation for
 Operator Use.

CAUTION: Metal Handle MUST BE
 GROUNDED for SAFE OPERATION.
 REF: Handy-Grip Part# 88-920721-01



LTR	DESCRIPTION	DATE	BY
A	Change Wiring & Remove Terminals	4-7-92	GBSR
B	Change Cable to 27cond. 20ga.	2-6-98	TQ
C	Change Cable to 15 Conductor	6-3-99	TQ

WHT/ORG
 SPARE WIRE