

#1032

Dawn Lake

Portable Air Head

Montana



LENCO MACHINE

8-15-91

PORTABLE AIR HEAD DAM LAKE 100 HP 4TBA. ENG  
DRIVES 2 CONVEYORS + 1 CYL OFF OF PUMP  
DRIVEN OFF SIDE OF ENG IS .97:1 + CW.

104-1067 - 2 MOTORS

CUST. SUPPLIED

HPP 1353-1  
CV5044

SET AT 200 ± PSI

2400-  
2500  
RPM

PF

12 GPM REQUIRED:

ENG PAD = .975 OF ENG C.W.

V101 P6 P11 C 10

RIGHT HAND ROTATION

SF 120-5-4

LE-10

G 110

y  
x

1997 PARTS ORDER

**SOLD TO**  
 Lenco Machine  
 5773 Crystal Road NE  
 Vestaburg, MI 48891

**SHIP TO**  
 Lenco Machine  
 5773 Crystal Road NE  
 Vestaburg, MI 48891

MARK NO. DAN LAKE

PU *m*

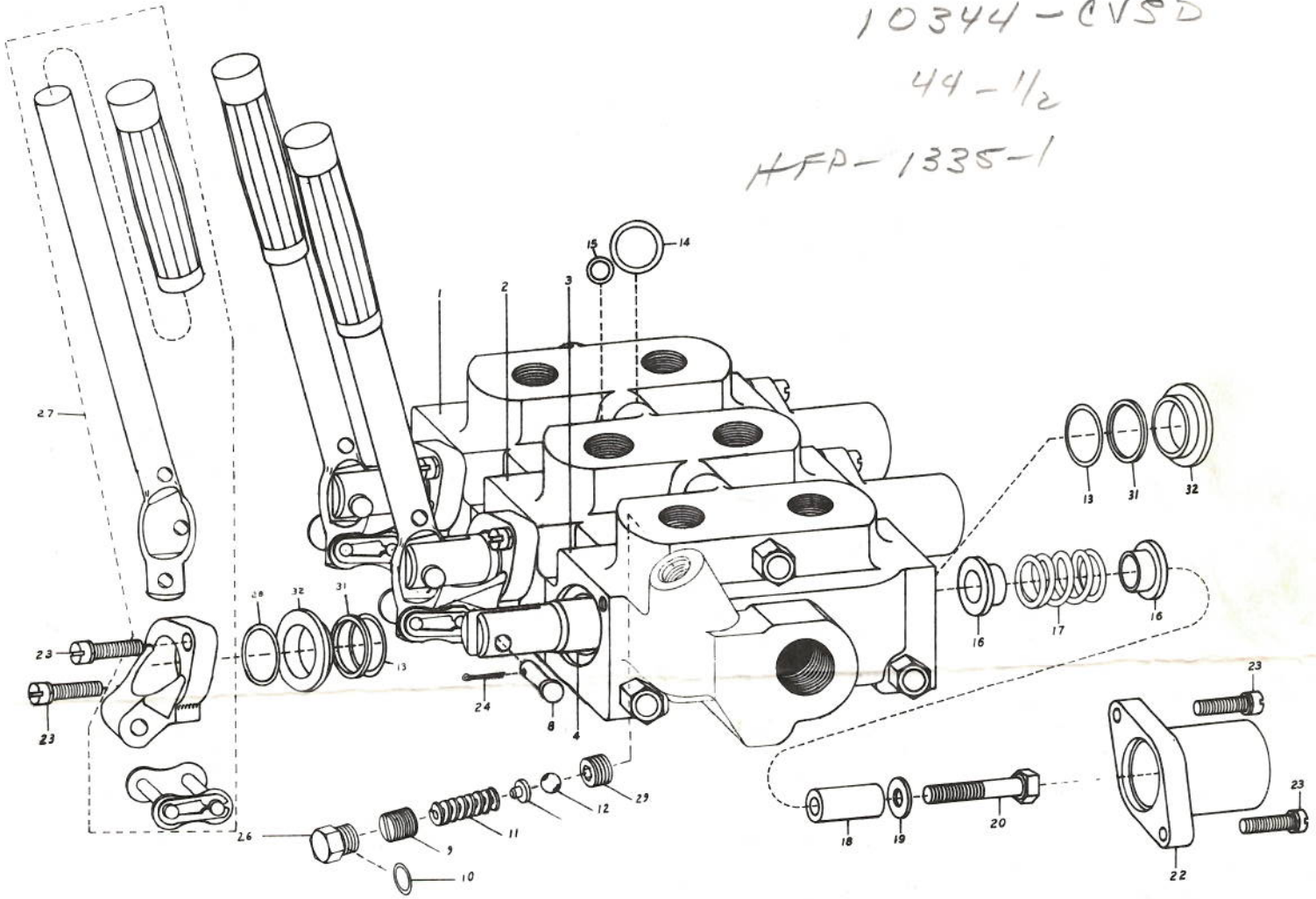
CUSTOMER PURCHASE ORDER NO.	OUR ORDER NO.	DATE ORDERED	WHSE	DATE SHIPPED	SHIP VIA	WRT	ENT
JJ 3/7/97	208558-001	03/12/97	01	03/12/97	OUR TRUCK	RFF	RT

LINE NO.	QUANTITY ORDERED	QUANTITY RELEASED	QUANTITY SHIPPED	PART NUMBER / DESCRIPTION	BIN	DATE REQUIRED	NET
10	2.0	2.0	2 - *	104-1068-LENCO 24 CID 4 BLT	N	03/12/97-2	
20	1.0	1.0	1 - *	DCVM-200 ENERGY VALVE W/ 1/4" MOTOR SPOOL	N CBF	03/12/97-2	
30	1.0	1.0	1 - *	DTS-0284 N.O. SOL VENT RL NORMALLY OPEN SOL VENTED RELIEF NORMALLY OPEN SOL VENTED RELIEF	B	03/12/97-2	
				3/12/97 WAITING ON PUMP.			
				* 3/27/97 1- DTS0284 From Stock			
				* 1- 407495-7 Vickers 2 GAL APON			
				* 4/9/97 1- RD-450-2			
				* SHIPPED 4/10/97 UPS			



# CONTROL VALVE MODEL CVSD

12409X



Ref. No.	Part No.	Name	Req'd.
1	B-2105	"IN"-Section Sub-Assembly including Valve Body, Valve Spool, (2) 80311 O-Ring, 7/8" I.D. x 1 1/16" O.D., (2) 82131 Back-up Washer, 7/8" I.D. x 1 1/16" O.D. and (2) A-4912 Seal Retainer. (specify port sizes, either 1/2" NPTF or 3/4" NPTF, and which valve spool) .....	1
2	B-2106	"CENTER"-Section Sub-Assembly including Valve Body, Valve Spool, (2) 80311 O-Ring, 7/8" I.D. x 1 1/16" O.D., (2) 82131 Back-up Washer, 7/8" I.D. x 1 1/16" O.D. and (2) A-4912 Seal Retainer. (Specify port sizes, either 1/2" NPTF or 3/4" NPTF, and which valve spool) .....	Varies
3	B-4351	"OUT"-Section Sub-Assembly including Valve Body, Valve Spool, (2) 80311 O-Ring, 7/8" I.D. x 1 1/16" O.D., (2) 82131 Back-up Washer, 7/8" I.D. x 1 1/16" O.D. (1) A-6154 Valve Seat and (2) A-4912 Seal Retainer. (Specify port sizes, either 1/2" NPTF or 3/4" NPTF, and which valve spool) .....	1
4	B-2709	Valve Spool, 3-way, open center .....	1 per section
	B-2708	Valve Spool, 4-way, open center .....	1 per section
	B-2783	Valve Spool, 4-way, open center, motor .....	1 per section
	B-2967	Valve Spool, 4-way, open center, stainless steel .....	1 per section

NOTE: Valve spools are not to be ordered separately as they are "select fitted" to Valve Body.

# WORK ORDER

# Computer Order No. \_\_\_\_\_

S LENCO  
O \_\_\_\_\_  
L \_\_\_\_\_  
D \_\_\_\_\_

S REF DAN LAKE  
H \_\_\_\_\_  
I \_\_\_\_\_  
P \_\_\_\_\_

Customer Code: \_\_\_\_\_ Ship VIA: OD-8-22-91 Taken By: R

Customer Order No: JRAM Date: 8-15-91

Order Qty	PO / Bom Number	- X - If NI	Part Number and/or Description	Date Wanted	List Price	Mult	Our Cos
<u>2</u>			<u>104-1067 MOTORS</u>				
<u>1</u>			<u>HFP 1353-1 - CVSD 44 VALVE</u>		<u>2558</u>	<u>-7</u>	
<u>1</u>			<u>SF 100-5-4 FILTER HEAD</u>				
<u>1</u>			<u>GVID VAC. IND</u>				
<u>1</u>			<u>L2-10 ELEMENT</u>				
<u>1</u>			<u>V101P6P 11 C 10 PUMP RH.</u>				
<u>1</u>			<u>V500 P 16 BALL VALVE</u>				
			<u>ROW TO DELIVER ON THURS 8-22-91</u>				