

#1508

UPRSPH 65AH

McGraw Hill NY

Doug Gillette - 2008

SPEED CONTROL  
 VINE REEL  
 SPEED  
 ANDERSON  
 REEL  
 SIDE  
 MOWER  
 MOWER

DUAL  
 HIGH HYD  
 WALK LIGHTS  
 AUTO  
 ELEVATOR

MISCORR PUMP  
 SEE CROSS  
 SIDE  
 SPART  
 FUEL  
 LOW  
 412  
 LEFT  
 RIGHT  
 BRAKES  
 HAZARD

HIGH PRESSURE  
 FILTERS

CRUISE  
 FAN

HYD. OIL LEVEL

HUMAN SHAF  
 MAIN  
 AUTO  
 STONE BOX  
 SPEED CONTROL  
 WINDMILL  
 CROSS

20A.	30ACB	30ACE.	20A.	20A.	20A.	30CB	20A.	20A.	20A.	20A.	30ACB	30ACB	30A.	30A.	30A.	30A.	30A.
15	14	13	12	11	10	9	8	7	6	5	4	3	2	1	1-7	11-15	
GEAR	ACT.	BRAKE	FUEL	CLYMAKES	RAID	CADILLAC	CADILLAC	GENVEX	WASH-TST	PACK	LEFT	RIGHT	HERRA	SEWARD #2			
PAPER REEL 2124	WIND	ROOM	ROOM	2-SPRO	12 REEL	REEL	SWITCH	RAID MEM	GEN VEX	REEL/REEL	SPR	WALK	WALK	TURN	A/C	B-10	
	REAR	LEAVES	BL	HYD	WIND	FTO	120 (C)				LEAVES	LEAVES	LEAVES				

HYDRAULIC

\* SPURT ROOM

SACRINO #1



Fuse

HARMO STK

TARD STK

4X MURTHOLIER

REN 12VDC

GREEN 607  
BROWN  
BLUE

DR318  
A/C

4X4 LOCK (RD)  
-30 B6 85 871

85 ±

86 BLACK 1

87 BLACK 1

30 BLACK 01 (2)

4X4 (RD)

-30 B6 85 871

85 ±

86 ORANGE 144 (2)

87 BLACK 1

30 BLACK 01 (2)

START (RA)

-30 B6 85 871

85 ±

86 ORANGE 144 (2)

87 RED 2

30 WHITE 104 (5)

RIGHT W/ WHITE LIGHTS

-30 B6 85 871

85 ±

86 BLUE 36 (2)

87 #2

30 BLUE 36

LEFT W/ BLACK LIGHT

-30 B6 85 871

85 ±

86 BLACK 034 (2)

87 #3

30 BLACK 34

30 BROWN (H) 526 (3)

87 #8

86 BROWN 503 (3)

85 ±

487 B6 85 86 30 -

LEFT FORD

30 BROWN (H) 507 (2)

87 #8

86 BROWN 504 (3)

85 ±

187 B6 85 86 30 -

CAR FUEL

30 PURPLE 94

87 #12

86 PURPLE 094 (2)

85 ±

187 B6 85 86 30 -

ROD LIGHTS

86 BROWN 6

87 #12

86 BROWN 06 (2)

85 ±

BACK UP LIGHTS  
187 B6 85 86 30 -

ST87

ST87

11MER

1996  
 4RSPH 20/65" A.H.

Fuse #	Color	Description
1	YELLOW	Fuse #1 To HEAD START SWITCH
2	GREEN	Fuse #2 To RIGHT Wiper Light Relay & SWITCH
3	ORANGE	Fuse #3 To LEFT Wiper Light Relay & SWITCH
4	BLACK	Fuse #4 To PARK BRAKE SWITCH
5	BLACK	Fuse #5 To TEST SWITCHES
6	YELLOW	Fuse #6 To MASTER SWITCH
7		
8	BLACK	FUSE #10 TO 2-SPEED & WHITE IN OVERTECH HANDLE
9		
10	BROWN	FUSE #12 TO BACKLIP FROM LIGHTS RELAY TO SWITCHES
11	WHITE	FUSE #13 TO VINE BELT REVERSE & RETURN SWITCHES
12		
13	PURPLE	AUTO SWITCH TO #10 ON TRAILER
14	WHITE	MTHURK SWITCH TO #9 ON TRAILER TO SOLENOID
15	BLUE	MTHURK SWITCH TO #8 ON TRAILER TO SOLENOID
16	BROWN	VINE BELT RETURN
17	GREEN	VINE BELT RETURN
18	WHITE	VINE BELT REVERSE
19	YELLOW	PRIMARY VIGATOR RETURN
20	RED	PRIMARY VIGATOR RETURN
21	RED	SIDE CONVEYOR FLOW CONTROL RETURN
22	PURPLE	SIDE CONVEYOR FLOW CONTROL RETURN
23	WHITE	REAR STEER SOLENOID
24	PURPLE	COMMON ON REAR STEER SENSORS

1996 AFRSPT W1/63" AH1

Plug #2  
Pin 1

65	WHITE	REAR STEER SENSOR (LEFT/HEEL-RIGHT TURN) LIGHT
2	GREEN	REAR STEER SENSOR (RIGHT/HEEL-LEFT TURN) LIGHT
3	BLACK	PARK SWITCH TO 14(5) N.O.
4	RED/ORANGE	HYDRAULIC DIE TEMPERATURE SENSOR (TO YELLOW 752) GAUGE
5	RED/BLACK	TACHOMETER SENSOR (TO DARK GREEN) 602) GAUGE
6		
7	BROWN	RIGHT TURN SIGNAL
8	YELLOW	LEFT TURN SIGNAL
9	BROWN	BACK: WIPER LIGHTS SWITCH TO RELAY
10	BLUE	RIGHT WIPER LIGHTS SWITCH TO RELAY
11	BLACK	LEFT WIPER LIGHTS SWITCH TO RELAY
12	BLACK	HXY SWITCH TO RELAY
13	BLACK/RED	2-SPEED SWITCH TO SOLENOID
14	BROWN/BLUE	TRASH FAN SWITCH TO SOLENOID
15	BROWN/BLACK	PRIMARY SWITCH TO SOLENOID
16	YELLOW	SIDE CONVEYOR SWITCH TO SOLENOID
17	BROWN/RED	GROSS CONVEYOR SWITCH TO SOLENOID
18	RED	SECONDARY CONVEYOR SWITCH TO SOLENOID
19		
20	YELLOW/RED	LIGHT TO FAN FILTER #3
21	BLUE	LIGHT TO GROUND DRIVE FILTER #3
22	YELLOW/BLUE	BZL-12 SWITCH TO HYDRAULIC OIL LEVEL SENSOR
23	WHITE	GROSS CONVEYOR PRESSURE SWITCH "N.O." TO RZ6562
24	BROWN/BLACK	SOLENOID CONVEYOR SWITCH TO SOLENOID
25	ORANGE	#10 FUSE TO HYDRO NEUTRAL SWITCH #1
26	ORANGE	HYDRO NEUTRAL SWITCH #2 TO PANEL RB
27	PURPLE	ROCK LIGHT SWITCH TO RELAY
28	GREEN	SPEEDOMETER TO HX MULTIPLEXER
29	GREEN	(FUTURE)
30	GREEN	TRASH FAN RPM (FUTURE)
31	ORANGE	PRIMARY ACTUATOR
32	BLUE	PRIMARY ACTUATOR
33	ORANGE	HUMAN START ACTUATOR
34	BLUE	HUMAN START ACTUATOR
35		
36	GREEN	HEAT TEMPERATURE IN PRIMARY CIRCUIT TO BZL12 (BROWN 123)
37		

Pin #	Color	Function
3	Red	Power To Water
2	Red	Power To Radio
3	Purple	Oil Pressure To Gauge
4	Black	Ground
5	Brown	Light Switch // Road Position To Relay
6	Red	Power To Dome/Fairlead-Light Switch - Radio Memory
7	Brown	Gas Field Light Relay To Gas Field Lights
8	Yellow	Hydraulic Oil Temperature Warning Light
9	Orange	Oil Pressure Light To Sender
10	Brown	Gas Road Light Relay To Gas Road Lights
11	Blue	Fuel Gauge To Sender
12	Dark Blue	Water Light To Sender
13	Dark Green/Black	Water Gauge To Sender
14	Brown	Light Switch Field Position To Relay
15		
16		

\* LARGE PINS

Orange/Red 14  
 Orange/Black 9  
 White 58  
 Orange/Blue 19  
 Orange 4

Plug 3  
 Pin #1

1996/RESPT W/65"K

TO PIN 4 ON GAUGE PARTIAL

BLACK 166 UP  
RED 165 DOWN  
PARTIAL

- 2 BLACK
- 3 RED
- 4 DRAINAGE
- 5 BLUE
- 6 BLACK/WHITE LIFT
- 7 RED/WHITE LIFT
- 8 BLUE/WHITE SWIRLS
- 9 GREEN/WHITE SWIRLS
- 10 ORANGE/BLACK QUARTERS
- 11 BLUE/BLACK QUARTERS
- 12 RED/BLACK
- 13 GREEN/BLACK
- 14 WHITE/BLACK SPARE

PLUG # 4

PIN 1

RED 21

BLACK

RED

DRAINAGE

BLUE

BLACK/WHITE LIFT

RED/WHITE LIFT

BLUE/WHITE SWIRLS

GREEN/WHITE SWIRLS

ORANGE/BLACK QUARTERS

BLUE/BLACK QUARTERS

RED/BLACK

GREEN/BLACK

WHITE/BLACK SPARE



1 12VDC R1021

1 12VDC R1021

ORANGE 924  
LIGHT

ORANGE 924  
LIGHT

\* 10 TO 826562

\* 9 TO 826512

ORANGE 924 TO ORANGE/BUS 19  
DARK BLUE 653 TO ORANGE/BUS 9

BUS 652 TO WHITE SB  
DARK GREEN L17 TO ORANGE 4  
R10 21 TO FUSE 11  
BROWN 526  
BLACK 20 TO GND GROUND  
PURPLE 705 TO ORANGE/R10 11

\* 10 OIL PRESSURE LIGHT  
\* 9 WHITE LAMP LIGHT

1 OIL PRESSURE GAUGE  
2 GROUND  
3 LIGHTING LAMPS  
4 IGNITION BATTERY  
5 TEMPERATURE GAUGE  
6 FUEL GAUGE  
7  
8  
9  
10

GAUGE PANEL  
PIN

20 YELLOW 523 (82) LEFT TURN SIGNAL TO 523 TO 513  
YELLOW 53

18 BROWN 522 (72) RIGHT TURN SIGNAL TO 522 TO 512  
BROWN 54

15 BLACK 59 CLUTCH SWITCH TO BRAKE SIGNAL IN N.O. BRK/BUS 17  
BLACK 059 3(2) CLUTCH SWITCH TO PARK BRAKE SWITCH 3(2) NO  
WHITE 104 PANEL TO RIGHT RA START PUMP

4 BROWN 502 PANEL POWER FROM TURN SIGNAL SW  
502 TO 507

3 RED 18 PANEL STB7 IGNITION SIDE  
2  
1 RED 11 PANEL STB7 1/2 SIDE

PANEL 2  
PIN

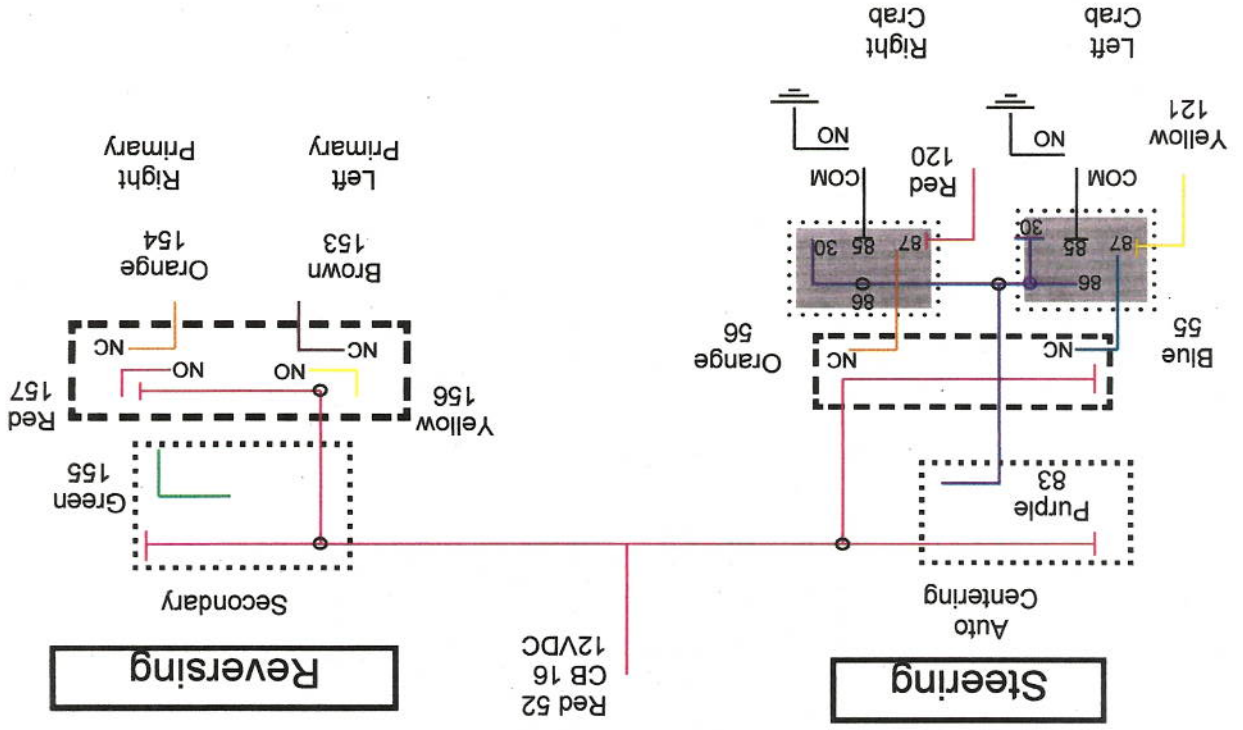
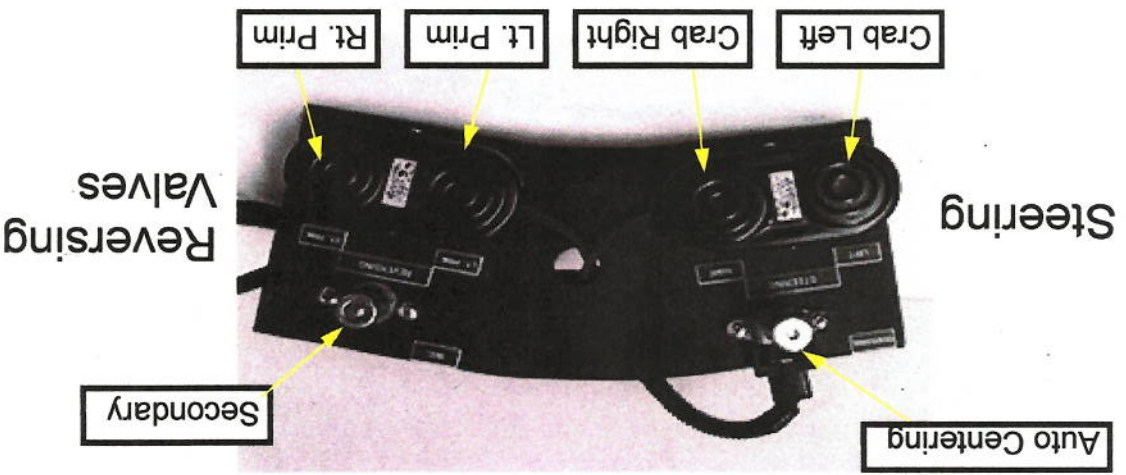
Plug # 6

SM 16 PIN

PIN	Color	Function
1	RED 149	STORE BOX DUMP AUTO TO TIMER
2	BLACK 150	WHITE BELT SPEED ACTUATOR
3	BROWN 151	WHITE BELT SPEED ACTUATOR
4	GREEN 152	GROSS CONVEYOR SPEED ACTUATOR
5	ORANGE 153	GROSS CONVEYOR SPEED ACTUATOR
6	BLUE 154	PRIMARY REVERSING
7	YELLOW 155	SECONDARY REVERSING SOLENOID FORWARD
8	RED 156	SECONDARY REVERSING SOLENOID REVERSE
9	GREEN 157	GROSS REVERSING SOLENOID FORWARD
10	ORANGE 158	GROSS REVERSING SOLENOID REVERSE
11	YELLOW 159	SIDE REVERSING SOLENOID FORWARD
12	ORANGE 160	SIDE REVERSING SOLENOID REVERSE
13	BLACK 161	BULK REVERSING SOLENOID FORWARD
14	BLUE 162	BULK REVERSING SOLENOID REVERSE
15		
16		

14(2)	TRASH TRAP SOLENOID	27 BLUE
17(2)	CROSS CONVEYOR SOLENOID	16 RED
15(2)	PRIMARY CONVEYOR SOLENOID	11 BLACK
PARTIC	BACK UP LIGHTS	1
PARTIC	HYDRAULIC OIL LEVEL SENSOR TO #5 FUSE	25 ORANGE
22(2)	HYDRAULIC OIL LEVEL SWITCH TO BUZZER	20 BLUE
20(2)	FAN FILTER TO #3	15 RED
PARTIC	FAN FILTER TO #5 FUSE #1	10 BLACK
16(2)	SIDE CONVEYOR SOLENOID	5 YELLOW
9(3)	OIL PRESSURE SWITCH TO LIGHT	19 BLUE
3(2)	OIL PRESSURE SENSOR TO GAUGE	14 RED
12(2)	WATER TEMPERATURE SENSOR TO LIGHT	9 BLACK
13(3)	WATER TEMPERATURE SWITCH TO GAUGE	4 ORANGE
PARTIC	A/C PUMP CONTACT 914 TO A/C CURCH	24 ORANGE
PARTIC	ST 87 IGNITION SWITCH TO FUSE SHUT OFF SW	12 RED
21(2)	GROUND DRIVE FILTER #1 TO #5 FUSE	8 BLACK
4(2)	GROUND DRIVE FILTER #3 TO 21(2)	3 BLUE
PARTIC	HYDRAULIC OIL TEMPERATURE SENSOR TO GROUND	23 ORANGE
5(2)	TACHOMETER SENSOR TO GROUND	18 BLUE
PARTIC	TACHOMETER TO 5(2)	7 BLACK
24(2)	TO REARM RA TO START SOLENOID	2 RED
15(5)	SORTING CONVEYOR SOLENOID	22 ORANGE
13(2)	2-SPEED TO 13(2) N.O.	17 BLUE
PARTIC	4XX TO REARM	12 RED
		1 BLACK
		1 BROWN

# Foot Pedal Switch Layout

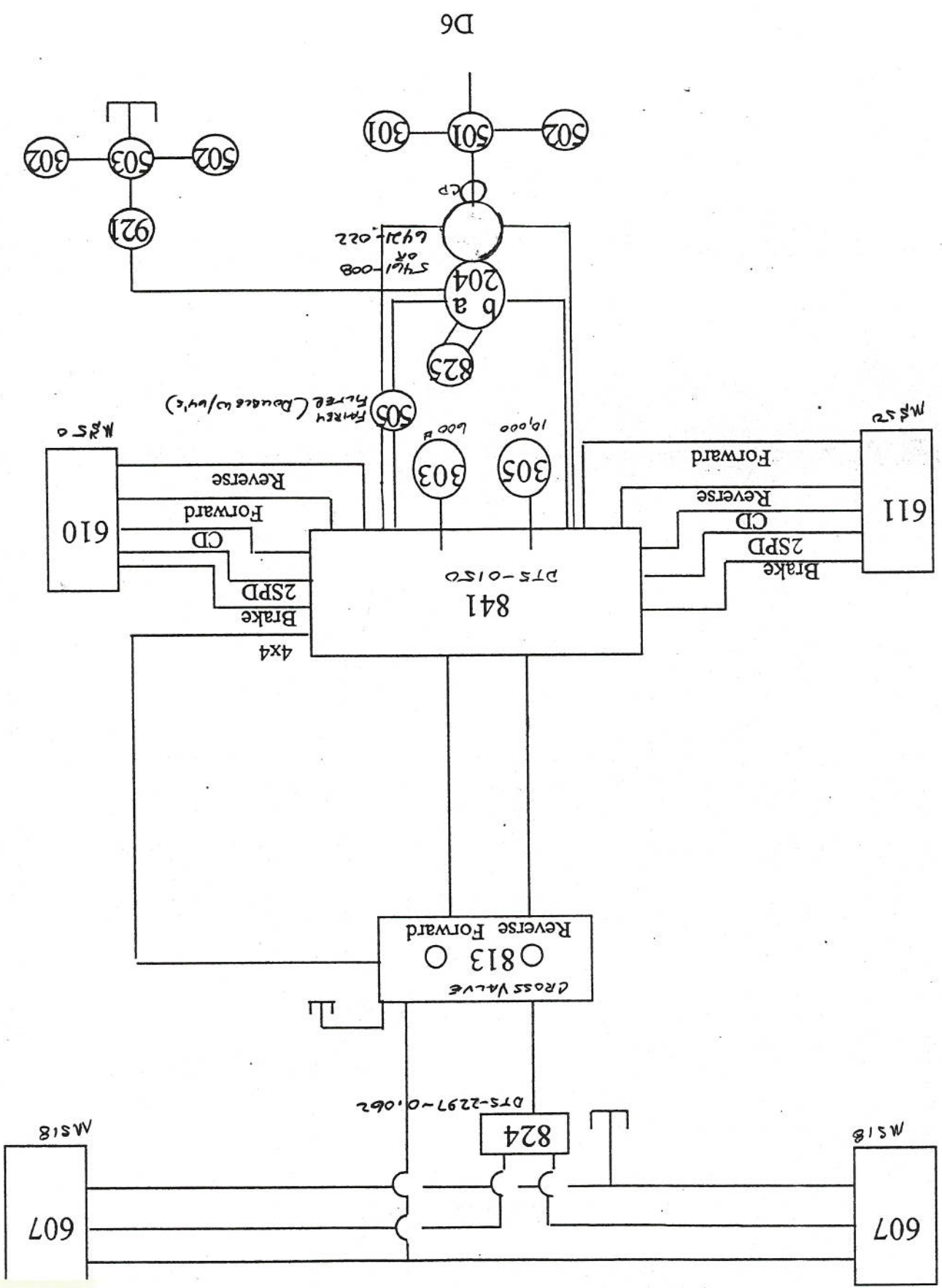


Dimmer Switch  
 Foot Switch  
 Relays

#1508  
 1996-92  
 McQuarrie  
 4RSPT w/5"

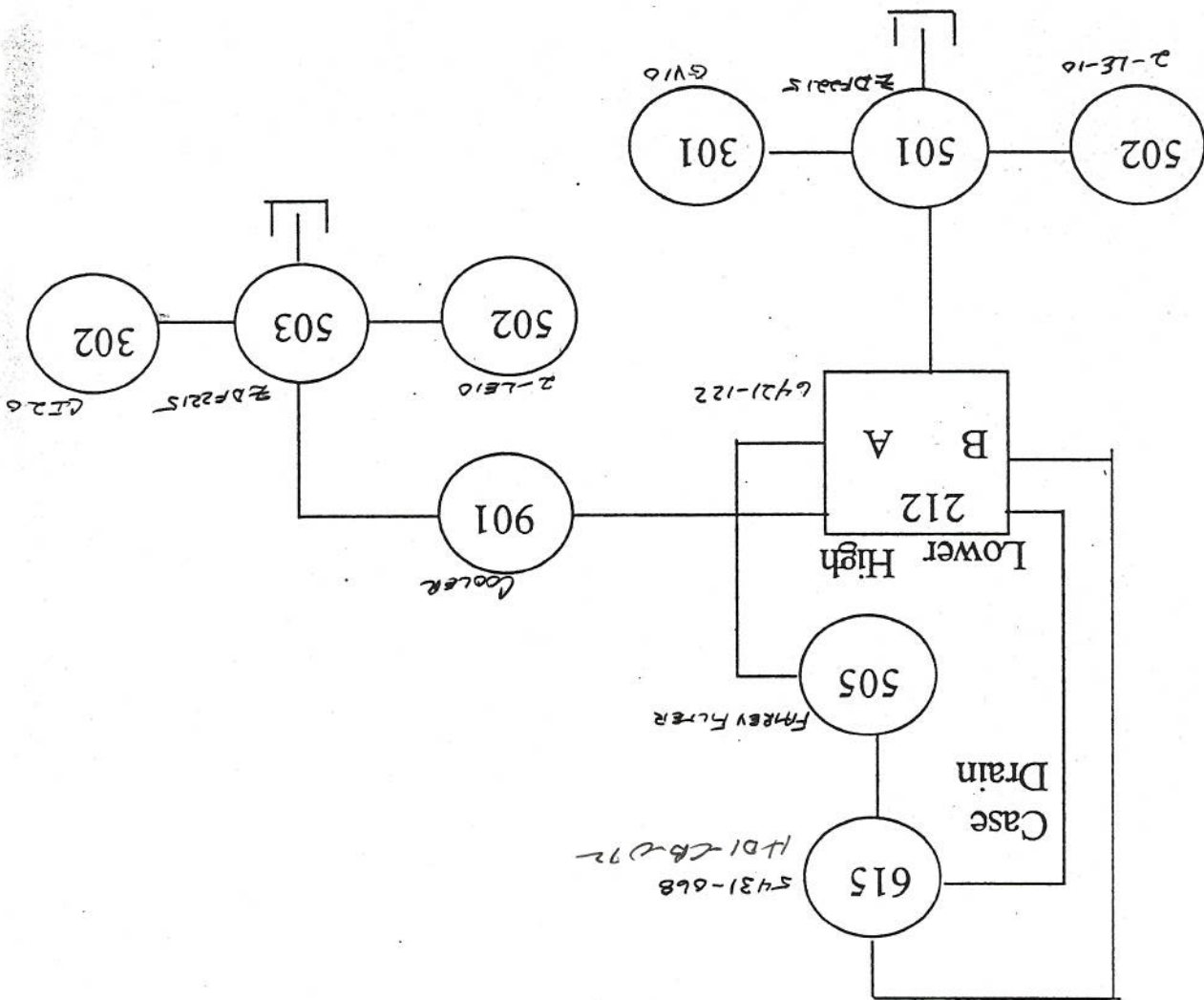
4 Row w/ 65" Airhead

Ground Drive



# 4 Row w/ 65" Airhead

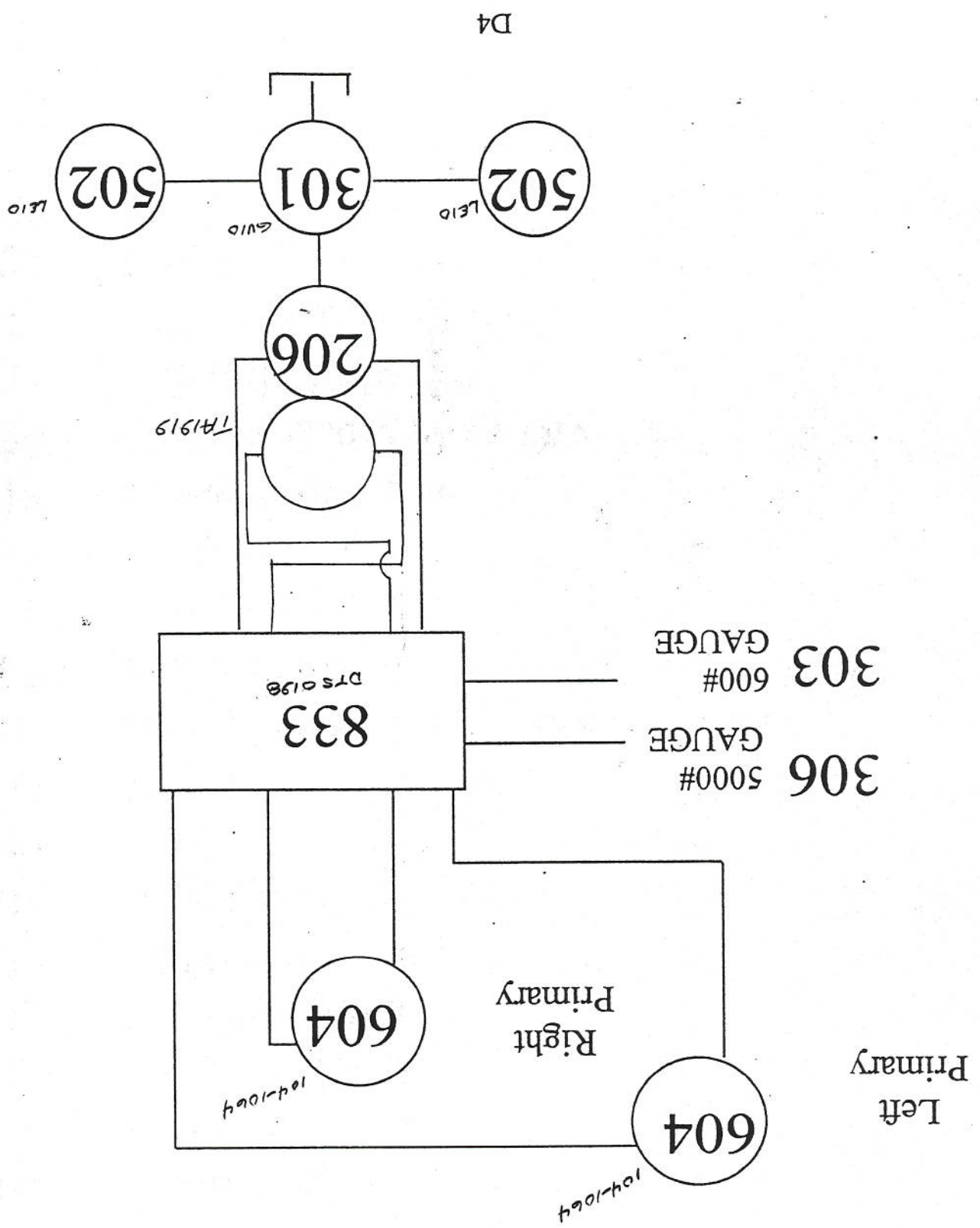
## Fan Circuit



D14

4 Row w/ 65" Airhead

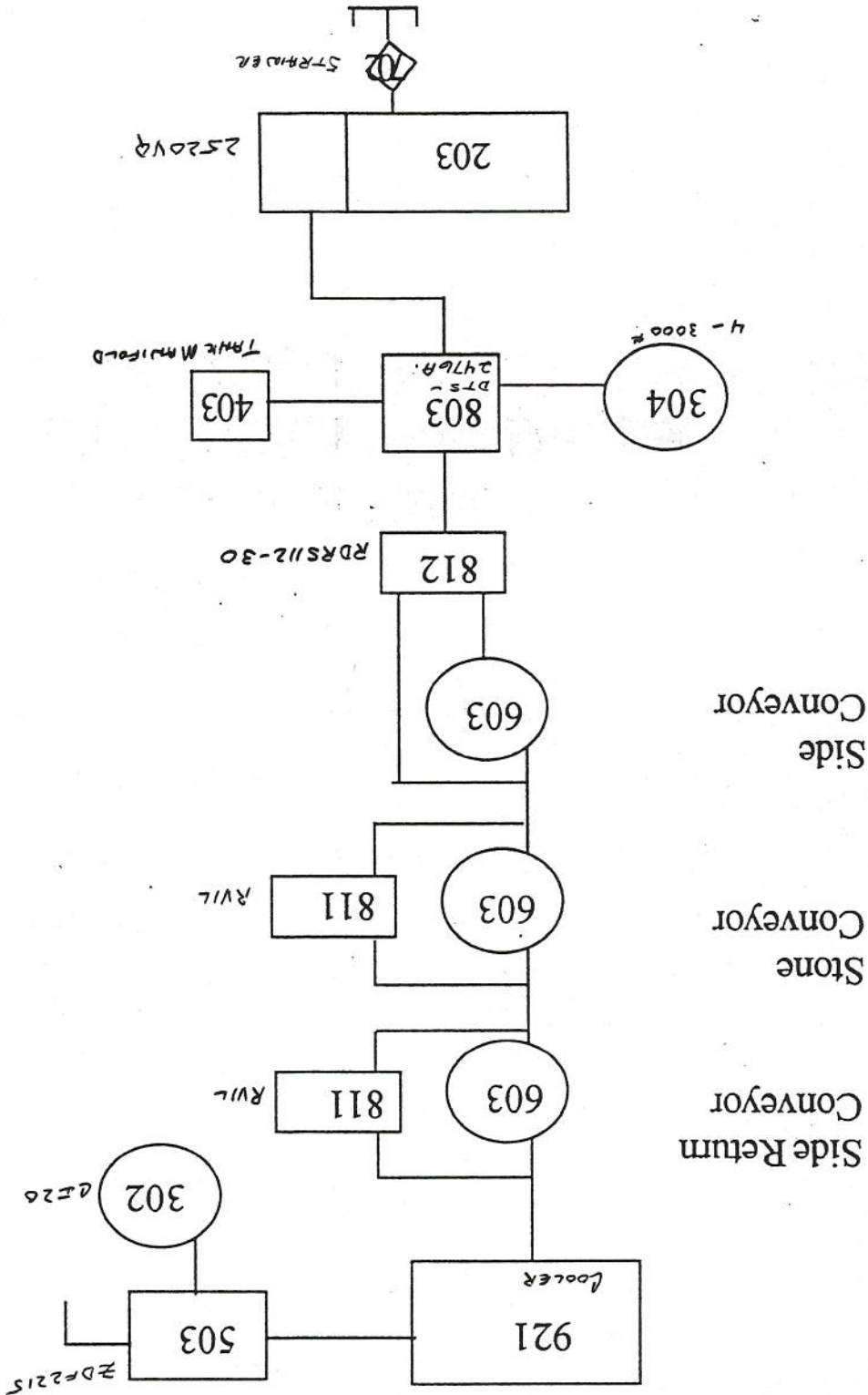
Right Primary-Left Primary







Side Return, Stone, and Side Conveyors

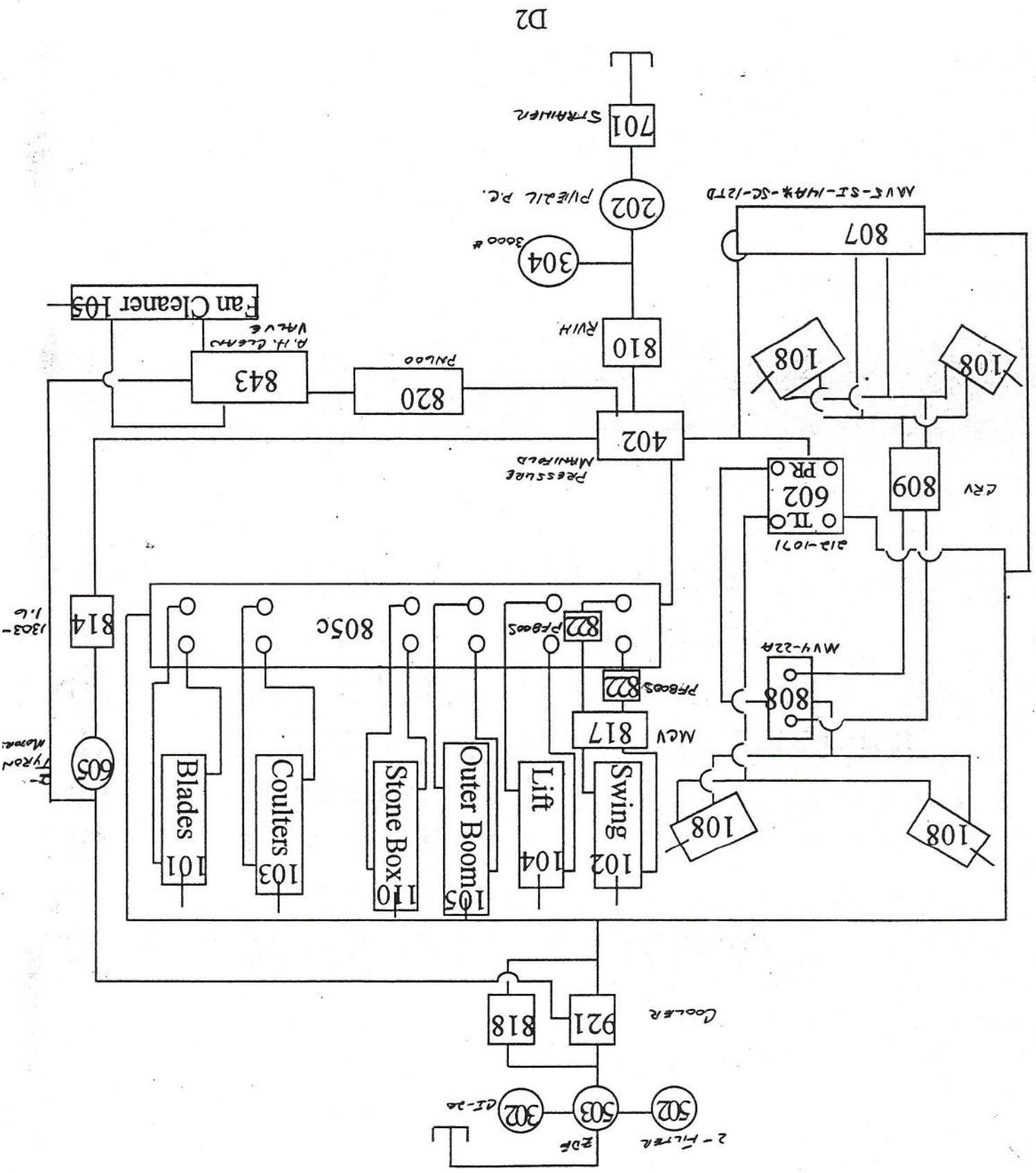




4 Row w/ 65" Airhead

Steering-Valve Bank-Fan Cleaner

1996



# 1508

Mc Cormicks # 4ASPH 9692

4 Row EXTRA wide  
65" Air Head

Primary 5/8 x 69" x 56mm APIS

Sec 7/16 x 69 x 45 mm

Dev 5/8 x 69 x 152 mm

CROSS 7/16 x 40 x 45 mm

Boon-Som 7/16 x 40 x 45 mm

Side 7/16 x 65 x 45 mm

NO STAR Table Dist Rolls only

65" TASH ELIMINATOR

4 W Drive

FT 14.00 - 24 x 12

Rear 66 x 3 x 25

Passo w TARMAM 54

Large stone box

Lean steering

Long Secondarys

ADD Diggon Blades on the side

Switch 9 Timon To Dump Stone Box

Hyds set up To Reverser

Prim DS-0006

Sec

Side

CROSS

Bulk

6" Spacers on RIGHT Hand Front Axle

Belt Cleaners.

Belted chain Stone conveyor.

5 1/2 to 6" clearance between blades  
9 FT Rollers

UHMW ureden blades

Install Mirrors

12" clearance between noses

Actuator on Hump shaft

Rock Guard Point

Crossed conveyor.

Porcupine Belt

Dist Rollers

Actuator 2 Flow Control

12	RED	12 RED	4X4 TO REAR	2-SPD TO 13C2	13 (2)	14C2
17	BLUE	17 BLUE	BRAKE TO 15 (5) N.O.	BRAKE TO 15 (5) N.O.	15 (5)	17C2
22	ORANGE	22 ORANGE	SOPHAN (CONVEYOR SOLENOID)	SOPHAN (CONVEYOR SOLENOID)	24 (2)	19C2
2	RED	2 RED	TO REAR RA TO SPAN SOLENOID	TO REAR RA TO SPAN SOLENOID	5 (2)	20C2
7	BLACK	7 BLACK	TACHOMETER TO 5 (2)	TACHOMETER TO 5 (2)	5 (2)	21C2
18	BLUE	18 BLUE	THERMISTOR SENSOR TO GROUND	THERMISTOR SENSOR TO GROUND	4 (2)	22C2
23	ORANGE	23 ORANGE	HYDRAULIC OIL TEMPERATURE SENSOR	HYDRAULIC OIL TEMPERATURE SENSOR	4 (2)	23C2
3	BLUE	3 BLUE	GROUND DRIVE FILTER #3 TO 21 (2)	GROUND DRIVE FILTER #3 TO 21 (2)	21 (2)	24C2
8	BLACK	8 BLACK	GROUND DRIVE FILTER #1 TO #5 FUSE	GROUND DRIVE FILTER #1 TO #5 FUSE	21 (2)	25C2
13	RED	13 RED	ST 87 TACHOMETER SIDE TO FUSE SHUT OFF SW	ST 87 TACHOMETER SIDE TO FUSE SHUT OFF SW	21 (2)	26C2
24	ORANGE	24 ORANGE	A/C REAR ORANGE 91Y TO A/C CURCH	A/C REAR ORANGE 91Y TO A/C CURCH	13 (3)	27C2
9	BLACK	9 BLACK	WATER TEMPERATURE SENSOR TO LIGHT	WATER TEMPERATURE SENSOR TO LIGHT	12 (3)	28C2
14	RED	14 RED	OIL PRESSURE SENSOR TO GAUGE	OIL PRESSURE SENSOR TO GAUGE	3 (2)	29C2
19	BLUE	19 BLUE	OIL PRESSURE SENSOR TO LIGHT	OIL PRESSURE SENSOR TO LIGHT	9 (3)	30C2
5	YELLOW	5 YELLOW	SIDE CONVEYOR SOLENOID	SIDE CONVEYOR SOLENOID	16 (2)	31C2
10	BLACK	10 BLACK	FAN FILTER TO #5 FUSE #1	FAN FILTER TO #5 FUSE #1	16 (2)	32C2
15	RED	15 RED	FAN FILTER TO #3	FAN FILTER TO #3	20 (2)	33C2
20	BLUE	20 BLUE	HYDRAULIC OIL LEVEL SENSOR TO BUZZER	HYDRAULIC OIL LEVEL SENSOR TO BUZZER	22 (2)	34C2
25	ORANGE	25 ORANGE	HYDRAULIC OIL LEVEL SENSOR TO #5 FUSE	HYDRAULIC OIL LEVEL SENSOR TO #5 FUSE	22 (2)	35C2
1	BROWN	1 BROWN	BACK UP LIGHTS	BACK UP LIGHTS	17 (2)	36C2
11	BLACK	11 BLACK	PRIMARY CONVEYOR SOLENOID	PRIMARY CONVEYOR SOLENOID	15 (2)	37C2
16	RED	16 RED	CROSS CONVEYOR SOLENOID	CROSS CONVEYOR SOLENOID	17 (2)	38C2
27	BLUE	27 BLUE	TRASH TRAP SOLENOID	TRASH TRAP SOLENOID	14 (2)	39C2

Plug # to	Pin	Color	Function
	1	RED	RED 149
	2	BLACK	BLACK 150
	3	BROWN	BROWN 151
	4	GREEN	GREEN 152
	5	ORANGE	ORANGE 153
	6	BLUE	BLUE 154
	7	YELLOW	YELLOW 155
	8	RED	RED 156
	9	GREEN	GREEN 157
	10	ORANGE	ORANGE 158
	11	YELLOW	YELLOW 159
	12	ORANGE	ORANGE 160
	13	BLACK	BLACK 161
	14	BLUE	BLUE 162
	15		
	16		

Small 16 Pin

Strobe Box Dump Auto to Timer

White Belt Speed Return

White Belt Speed Return

Gross Conveyor Speed Return

Gross Conveyor Speed Return

Primary Reversing

Secondary Reversing Solenoid Forward

Secondary Reversing Solenoid Reverse

Gross Reversing Solenoid Forward

Gross Reversing Solenoid Reverse

Side Reversing Solenoid Forward

Side Reversing Solenoid Reverse

Bulk Reversing Solenoid Forward

Bulk Reversing Solenoid Reverse

PLUG # 5 COLUMN PLUGS

PIN	1	RED	11 PANEL	STBY HOT SIDE	
	2	F.			
	3	RED	13 PANEL	STBY IGNITION SIDE	
	4	BROWN	502 PANEL	POWER FROM TURN SIGNAL SWAY	
				502 TO 507	
	5	WHITE	104 PANEL	TO RELAY RA START RELAY	
	14	BLACK	59 3(2)	CLUTCH SWITCH TO PARK BRAKE SWITCH 3(2) NO	
	15	BLACK	59	CLUTCH SWITCH TO BRAKE SOLENOID N.O.	BLACK/BLUE 17
	18	BROWN	522 7(2)	RIGHT TURN SIGNAL TO	BROWN 54
				522 TO 512	
	20	YELLOW	523 8(2)	LEFT TURN SIGNAL TO	YELLOW 53
				523 TO 513	

Gauge Panel

PIN	1	OIL PRESSURE GAUGE	PURPLE 705 TO ORANGE/RED 11
	2	GROUND	BLACK 20 TO CAB GROUND
	3	INTERMEDIATE LAMPS	BROWN 526
	4	IGNITION & BATTERY	RED 21 TO FUSE #11
	5	TEMPERATURE GAUGE	DARK GREEN 617 TO ORANGE 4
	6	FUEL GAUGE	BLUE 652 TO WHITE 58
	7		
	8		
*	9	WATER TEMPERATURE LIGHT	DARK BLUE 653 TO ORANGE/BLACK 9
*	10	OIL PRESSURE LIGHT	ORANGE 924 TO ORANGE/BLUE 19

\* 9 TO BZ6562 BLUE 653 SENSOR LIGHT | 12VDC R1021

\* 10 TO BZ6562 ORANGE 924 SENSOR LIGHT | 12VDC R1021



12264RSPH W/65"K

PLUG #4

PIN 1	RED 21	To PIN 4 ON GAUGE PANEL			
2	BLACK	STOP BOX	UP	BLACK 166	PANEL
3	RED	STOP BOX	DOWN	RED 165	PANEL
4	ORANGE	OUTER BOOM			
5	BLUE	OUTER BOOM			
6	BLACK/WHITE	LIFT			
7	RED/WHITE	LIFT			
8	BLUE/WHITE	SWING			
9	GREEN/WHITE	SWING			
10	ORANGE/BLACK	COUNTERS			
11	BLUE/BLACK	COUNTERS			
12	RED/BLACK	BLADE			
13	GREEN/BLACK	BLADE			
14	WHITE/BLACK	SPARE			

Pin #	Color	Code	Function	Secondary Color/Code
PLUG 3 LARGE 16 Pin				
* 1	RED	18	POWER TO WIPER	
2	RED	12	POWER TO RADIO	
3	PURPLE	705	OIL PRESSURE TO GAUGE	ORANGE/RED 14
4	BLACK	20	GROUND	
5	BROWN	503	LIGHT SWITCH ROAD POSITION TO RELAY	
6	RED	22	POWER TO DOME PANEL - LIGHT SWITCH - RADIO MEMORY	
* 7	BROWN	507	CAB FIELD LIGHT RELAY TO CAB FIELD LIGHTS	
8	YELLOW	755	HYDRAULIC OIL TEMPERATURE WARNING LIGHT	
9	ORANGE	924	OIL PRESSURE LIGHT TO SENDER	ORANGE/BLUE 19
* 10	BROWN	526	CAB ROAD LIGHT RELAY TO CAB ROAD LIGHTS	
11	BLUE	652	FUEL GAUGE TO SENDER	WHITE 58
12	DARK BLUE	653	WATER LIGHT TO SENDER	ORANGE/BLACK 9
13	DARK GREEN	617	WATER GAUGE TO SENDER	ORANGE 4
14	BROWN	504	LIGHT SWITCH FIELD POSITION TO RELAY	
15				
16				

\* LARGE PINS

1996 HRS014 V1/65 "A1"

## PLUG #2

PIN 1	65	WHITE	REAR STEER SENSOR (LEFT WHEEL - RIGHT TURN) LIGHT
2	66	GREEN	REAR STEER SENSOR (RIGHT WHEEL - LEFT TURN) LIGHT
3	059	BLACK	PARK SWITCH TO 14(5) N.O. BLACK 17 15(5)
4	23	RED/ORANGE	HYDRAULIC OIL TEMPERATURE SENSOR (TO YELLOW 752) GAUGE
5	07	RED/BLACK	TACHOMETER SENSOR (TO DARK GREEN 602) GAUGE
6			
7	54	BROWN	RIGHT TURN SIGNAL
8	53	YELLOW	LEFT TURN SIGNAL
9	06	BROWN	BACK UP LIGHTS SWITCH TO RELAY
10	036	BLUE	RIGHT WORK LIGHTS SWITCH TO RELAY
11	034	BLACK	LEFT WORK LIGHTS SWITCH TO RELAY
12	01	BLACK	4X4 SWITCH TO RELAY
13	012	BLACK/RED	2-SPEED SWITCH TO SOLENOID
14	021	BROWN/BLUE	TRASH FAN SWITCH TO SOLENOID
15	011	BROWN/BLACK	PRIMARY SWITCH TO SOLENOID
16	05	YELLOW	SIDE CONVEYOR SWITCH TO SOLENOID
17	016	BROWN/RED	CROSS CONVEYOR SWITCH TO SOLENOID
18	82	RED	SECONDARY CONVEYOR SWITCH TO SOLENOID
19			
20	15	YELLOW/RED	LIGHT TO FAN FILTER #3
21	03	BLUE	LIGHT TO GROUND DRIVE FILTER #3
22	020	YELLOW/BLUE	BZL-12 SWITCH TO HYDRAULIC OIL LEVEL SENSOR
23	61	WHITE	CROSS CONVEYOR PRESSURE SWITCH "N.O." TO BZ6562
24	022	BROWN/ORANGE	SOARING CONVEYOR SWITCH TO SOLENOID
25	143	ORANGE	#10 FUSE TO HYDRO NEUTRAL SWITCH #1
26	144	ORANGE	HYDRO NEUTRAL SWITCH #2 TO PANEL RB
27	094	PURPLE	ROAD LIGHT SWITCH TO RELAY
28	607	GREEN	SPEEDOMETER TO 4X MULTALIEN
29	603	GREEN	(FUTURE)
30	605	GREEN	TRASH FAN RPM (FUTURE)
31	145	ORANGE	PRIMARY ACTUATOR
32	146	BLUE	PRIMARY ACTUATOR
33	147	ORANGE	HUMP SHAFT ACTUATOR
34	148	BLUE	HUMP SHAFT ACTUATOR
35			
36	425	GREEN	HIGH TEMPERATURE IN PRIMARY CIRCUIT TO BZL12 (BROWN/23)
37			

1996

4RSPA W/65" A.H.

## Plug #1

Pin	1	92	YELLOW	FUSE #1 TO HAZARD STOP SWITCH
	2	91	GREEN	FUSE #2 TO RIGHT WORK LIGHT RELAY & SWITCH
	3	90	ORANGE	FUSE #3 TO LEFT WORK LIGHT RELAY & SWITCH
	4	017	BLACK	FUSE #4 TO PARK BRAKE SWITCH
	5	060	BLACK	FUSE #5 TO TEST SWITCHES
	6	89	YELLOW	FUSE #6 TO MASTER SWITCH
	7			
	8	0012	BLACK	FUSE #10 TO 2-SPEED & WHITE IN CYBERTECH. HANDLE
	9			
	10	88	BROWN	FUSE #12 TO BACKUP & ROAD LIGHTS RELAY TO SWITCHES
	11	85	WHITE	FUSE #13 TO VINE BELT REVERSE & ACTUATOR SWITCHES
	12			
	13	28	PURPLE	AUTO SWITCH TO #10 ON TIMER
	14	27	WHITE	MANUAL SWITCH TO #9 ON TIMER TO SOLENOID
	15	26	BLUE	MANUAL SWITCH TO #8 ON TIMER TO SOLENOID
	16	46	BROWN	VINE BELT ACTUATOR
	17	45	GREEN	VINE BELT ACTUATOR
	18	39	WHITE	VINE BELT REVERSE
	19	33	YELLOW	PRIMARY VIBRATOR ACTUATOR
	20	32	RED	PRIMARY VIBRATOR ACTUATOR
	21	70	RED	SIDE CONVEYOR FLOW CONTROL ACTUATOR
	22	69	PURPLE	SIDE CONVEYOR FLOW CONTROL ACTUATOR
	23	68	WHITE	REAR STEER SOLENOID.
	24	83	PURPLE	COMMON ON REAR STEER SENSORS

# FUSE BOARD

HAZARD STAY

TURN STAY

4X MULTIPLIER

GREEN 607

BLACK

RED 12VDC

BROWN

GREEN  $\frac{1}{2}$

BLUE

4X4 LOCK (RC)

- 30  $\frac{86}{85}$  871

CRW318

85  $\frac{1}{2}$

A/C

86 BLACK 1

ST87

87 BLACK 1

30 BLACK 01(2)

BACKUP LIGHTS

4X4 (RB)

187  $\frac{87}{86}$  30 -

- 30  $\frac{86}{85}$  871

85  $\frac{1}{2}$

85  $\frac{1}{2}$

86 BROWN 06(2)

86 ORANGE 144(2)

87 #12

87 BLACK 1

30 BROWN 6

30 BLACK 01(2)

ROAD LIGHTS

START (RA)

187  $\frac{87}{86}$  30 -

- 30  $\frac{86}{85}$  871

85  $\frac{1}{2}$

85  $\frac{1}{2}$

86 PURPLE 094(2)

86 ORANGE 144(2)

87 #12

87 RED 2

ST87

30 PURPLE 94

30 WHITE 104(5)

CAS FIELD

RIGHT-WEAR LIGHTS

187  $\frac{87}{86}$  30 -

- 30  $\frac{86}{85}$  871

85  $\frac{1}{2}$

85  $\frac{1}{2}$

86 BROWN 504(3)

86 BLUE 036(2)

87 #8

87 #2

30 BROWN (H) 507(2)

30 BLUE 36

CAS FORD

LEFT HORN LIGHT

187  $\frac{87}{86}$  30 -

- 30  $\frac{87}{85}$  871

85  $\frac{1}{2}$

85  $\frac{1}{2}$

86 BROWN 503(3)

86 BLACK 034(2)

87 #8

87 #3

30 BROWN (H) 526(3)

30 BLACK 34

TIMER



