

Kitchens

#03220

GRSPH w/50" AH

BILL OF MATERIALS
Kitchen farms
6-RSPH 50" Airhead

Diggerbed: 6-ROW 32" PRIMARY CHAIN

<u>QTY</u>	<u>PART#</u>	<u>DESCRIPTION</u>
2.....	30055-012	SEC. SIDE PLT LONG
1.....	30056-012	SEC. SIDE PLT MEDIUM
1.....	30057-012	SEC. SIDE PLT SHORT
1.....	30066-012	SEC. CENTER RIB SHORT
1.....	30067-012	SEC. CENTER RIB LONG
1.....	30068-012	SEC. CENTER RIB MEDIUM
1.....	30137-012	UPPER PRIM. PLT W/ DRIVE
5.....	30141-012	LOWER PRIM. CENTER RIB W/ VIB MT
2.....	30142-012	LOWER PRIM PLT W/ COULTER NOSE 3/4" THK W/ VIB MT
2.....	30144-012	UPPER PRIM. PLT W/O DRIVE
2.....	30000-012	DIG BED PIVOT BRKT - 2 BEVELS
2.....	30001-012	DIG BED PIVOT BRKT - AIR HEAD SIDE
12.....	30085-012	DIG BED HIDGE BRKT
12.....	30002-012	DIG BED TUBE SLEEVE
4.....	30008-012	DIG BED SIDE SHIELDS
2.....	30018-012	STAINLESS STEEL DIG NOSE WEAR PLTS
2.....	40004-012	REPLACEABLE DIG NOSE ASSM'Y
6.....	40000-013	33" DIG BLADE BRKT ASSM'Y W/ ROCK GUARD
1.....	30042-013	SOLID DIGGER BLADE (BEVELED)
1.....	40006-012	DEPTH GAGE ASSM'Y
2.....	40007-012	DIG BED LIFT ARM ASSM'Y
1.....	40000-012	TORQUE TUBE ASSM'Y
3.....	40001-012	DIG BED LIFT BUSH ASSM'Y
2.....	30006-012	DIG BED BUSH BLK
2.....	30007-012	DIG BED BUSH BLK END CAP
2.....	30000-022	2000 SERIES MOTOR MT (BOTH VIB DRIVES)
6.....	30011-041	5PT VIB PLATE (CLAMP ON)
6.....	30012-041	SMALL 5PT VIB PLT (CLAMP ON)
2.....	_____	VIS MOTOR MT
1.....	30002-022	GEARBOX MT (SEC. DRIVE)

<u>QTY</u>	<u>SIZE</u>	<u>LENGTH</u>	<u>DESCRIPTION</u>
1.....	3X3-3/8	205"	DIG BED CROSS TUBE
2.....	2X3-1/4	203"	SEC CROSS TUBE
1.....	4X4-3/8	205"	PRIM CROSS TUBE
2.....	1" SP RD	120"	TRUSS RODS FOR PRIM 4X4
2.....	2"GP SHAFT	103"	PRIM DRIVE SHAFTS
2.....	2"CRR	208"	VIB SHAFTS

1.....2"GP SHAFT	208"	SEC DRIVE SHAFT
1.....4" OD	210"	PIVOT TUBE
1.....1/2X3	210"	FLAT THRU 4" PIVOT TUBE
2.....1/8"X3	84"	DIRT GUARD OVER TORQUE TUBE
6.....1-1/2" OD	33"	SPACER BETWEEN SEC PLTS
1..... 1/2" KEYSTK	96"	SPROCKET & VIB PLT KEYS
2.....1-1/4"CRR	14"	TOP DIG NOSE ROD
2.....3/4-UNF THRD'D ROD	GRADE 8 12"	LIFT ROD
2.....3/8 HIGH TEST CHAIN	12"	LIFT CHAIN

QTY	DESCRIPTION	LOCATOIN
4.....	3/4-UNF NUT	DIG BED LIFT ARM ROD
4.....	1"UNC NUTS	PRIM TRUSS ROD
120.....	R37A W/ TAPPED SPINDLE	PRIM VIBS
12.....	CONE NOSE ROLLERS	DIGGER NOSE
12.....	5" PLASTIC ROLLER W/ SPINDLE	LOWER PRIM
36.....	4" PLASTIC ROLLER W/ SPINDLE	PRIM
34.....	R-11 ROLLER W/ Y1 SPINDLE	PRIM/SEC DRIVE WRAP
54.....	R5FBRS ROLLER	DIGGER BED
16.....	R5FBRS NO FLANGE	DIGGER BED
18.....	R35BR RUBBER FLANGE	CROSS/SEC & PRIM RETURN
3.....	R35BR RUBBER NO FLANGE	CROSS/SEC RETURN
24.....	5/8-UNC X 5-1/2" HHCS	DOUBLE ROLLERS
32.....	5/8-UNC X 4-1/2" HHCS	SINGLE ROLLERS
5.....	5/8-UNC X 2-1/2" HHCS BOLT	DIG BLADE BRKT PIVOT
24.....	5/8-UNC X 2" HHCS BOLT	DIG BLADE BRKT/VIS MOTOR
63.....	5/8 UNC NUTS W/ LOCK	
22.....	5/8 LOCK WASHERS	VIS, GEARBOX & VIB MTS
27.....	1/2-UNC X 6" HHCS	DOUBLE STANDOFF ROLLERS
15.....	1/2-UNC X 4-1/2" HHCS	SINGLE STANDOFF ROLLERS
13.....	1/2-UNC X 2-1/2" HHCS	PRIM DOUBLE BRGS/HINDGE
30.....	1/2-UNC X 2-1/2" CSK BOLT	DIGGERBLADE
217.....	1/2-UNC X 2" HHCS	VIB ROLLERS/MISC
4.....	1/2-UNC X 2" CSK BOLTS	REPLACEABLE DIG NOSES
4.....	1/2 -UNC X 1-1/2" ALLEN HEAD CAP SCREW	2000 SERIES MOTOR MT (VIB)
297.....	1/2-LOCK WASHERS	
152.....	1/2-UNC NUTS	
14.....	F4B-SC-200 #124214 DODGE BRG	PRIM VIBRATORS
12.....	2"DIA STEEL 3-BOLT PRIM BRG	PRIM / SEC DRIVES
2.....	#50 CHAIN COUPLER CHAIN	PRIM VIBS
2.....	#50-16 2" DIA BORE	PRIM VIBS
2.....	#50-16 1-1/4" BORE (6000 SERIES MOTOR)	PRIM VIBS
2.....	VIS MOTOR COUPLERS	PRIM DRIVES
12.....	PRIM CHAIN DRIVE SPROCKETS	END DRIVE
12.....	SEC CHAIN DRIVE SPROCKETS	'S' DRIVE

BILL OF MATERIALS

Kitchen farms 6-RSPH 50" Airhead

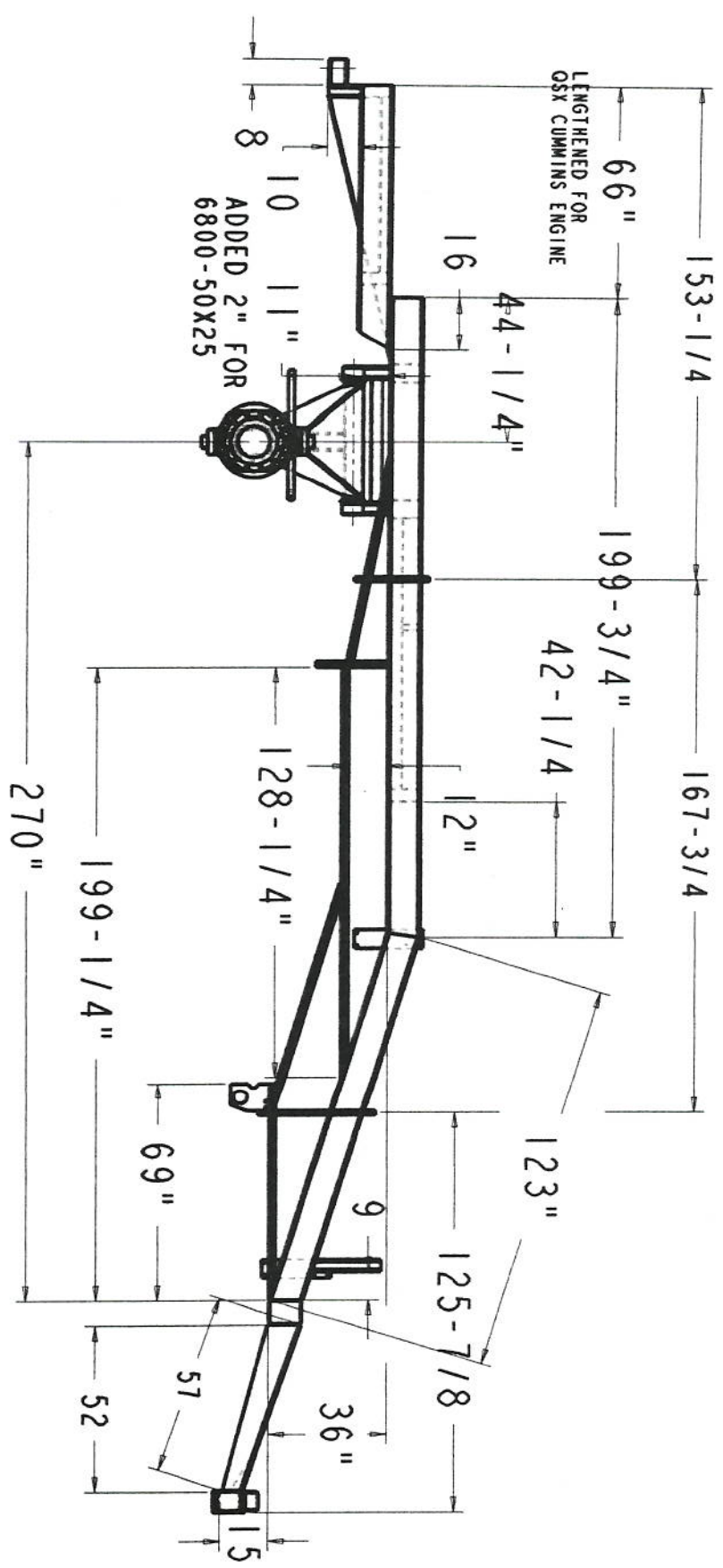
Frame: 6-ROW MICHIGAN STYLE FRAME (201-1/2" ID)

QTY	PART#	DESCRIPTION
1.....	40010-018	MS35LONG 'C' ASSM'Y (RT)
1.....	40014-018	MS35LONG 'C' ASSM'Y (LT)
2.....	30036-018	'C' BLOCK MT PLT
2.....	30005-017	FRT AXLE PANS (EXTENDED)
2.....	30006-017	FRT AXLE PAN BOTTOMS (EXTENDED)
2.....	30005-007	8X10 COULTER END CAP
2.....	30000-017	SIDE TIN
2.....	30007-031	MIDDLE SPLIT PLATE (4X10)
4.....	30008-031	FRT SPLIT PLT (@ PIVOT)
4.....	30013-031	BACK SPLIT PLT (@ DEVINER)
4.....	30014-031	BACK MID SPLIT PLT (6X6)
2.....	30032-023	REAR AXLE WEAR PLT
2.....	40005-023	REAR AXLE BUSHING ASSM'Y (4" DIA)

QTY	SIZE	LENGTH	DESCRIPTION
2.....	4X10-3/8	199-1/4"	TOP SIDE TUBE
3.....	4X10-3/8	123"	FRT SIDE & MID TUBE
2.....	4X10-3/8	82"	BACK FRAME UNDER ENGINE/OIL TANK
1.....	4X10-3/8	72"	
3.....	4X10-3/8	201-1/2"	CROSS PIECES
1.....	4X10-3/8	42-1/4"	MID TOP TUBE (IN FRONT OF CAB)
2.....	4X10-3/8	15"	REAR AXLE PIVOT BLK (FOR 40005-023)
2.....	4X10-1/4	60"	REAR AXLE GUSSETS (BOTH SPLIT TO MAKE 4)
2.....	6X10-3/8	201-1/2"	REAR AXLE CROSS PIECES
1.....	8X10-1/2	209-1/2"	FRONT CROSS TUBE
1.....	6X6-3/8	8"	HITCH (HAS HOLE FOR PIN)
1.....	6X6-3/8	152-3/4"	FRT AXLE (MS35LG POCLAINS)
2.....	6X6-3/8	85"	FRAME SUPPORT UNDER CAB
1.....	4X6-3/8	10"	HITCH (VERT PC)
1.....	2X6-1/4	201-1/2"	CROSS PC UNDER CAB
1.....	4X4-3/8	64"	UNDER ENGINE
4.....	4X4-3/8	21"	DIG.BED LIFT UPRIGHTS/MISC TUBE
2.....	2X3-1/4	128-1/4"	MID. UNDER CARRIAGE PC
2.....	2X3-1/4	69"	FRT UNDER CARRIAGE PC
2.....	2X3-1/4	66"	BACK UNDER CARRIAGE GUSSET
2.....	2X3-1/4	72"	FRT UNDER CARRIAGE GUSSET
2.....	2X3-1/4	17"	VERT PC FOR DEVINER BRG MTS
1.....	3-1/4"OD-3/8	36"	TUBE ABOVE REAR AXLE PIVOT (SEPARATOR)
2.....	1/2X3	12"	

4.....1/2X4	14"	FRT AXLE PLT GUSSETS
2.....1/2X4	54"	FRT PAN / FRAME SUPPORTS
2.....1/2X2	30"	FRT AXLE 7 TH ROW EXTENSION GUSSETS(FRONT)
2.....1/2X2	12"	FRT AXLE 7 TH ROW EXTENSION GUSSETS(BACK)
32.....1/2X2	4"	SPLIT PLATE GUSSETS
1.....1/2X6	96"	REAR HITCH STRAP
2.....1/2X6	20"	BACK DECK FISH PLATES
1.....1/4x8	60"	FRT AXLE PAN INNER RIBS
1.....1/4X4	72"	MISC CAPS
2.....1/8X12	9"	SIDE TIN (NEED 9" ON BOTH SIDES TO FINISH)
1.....1-1/2"CRR	8"	HITCH PIN

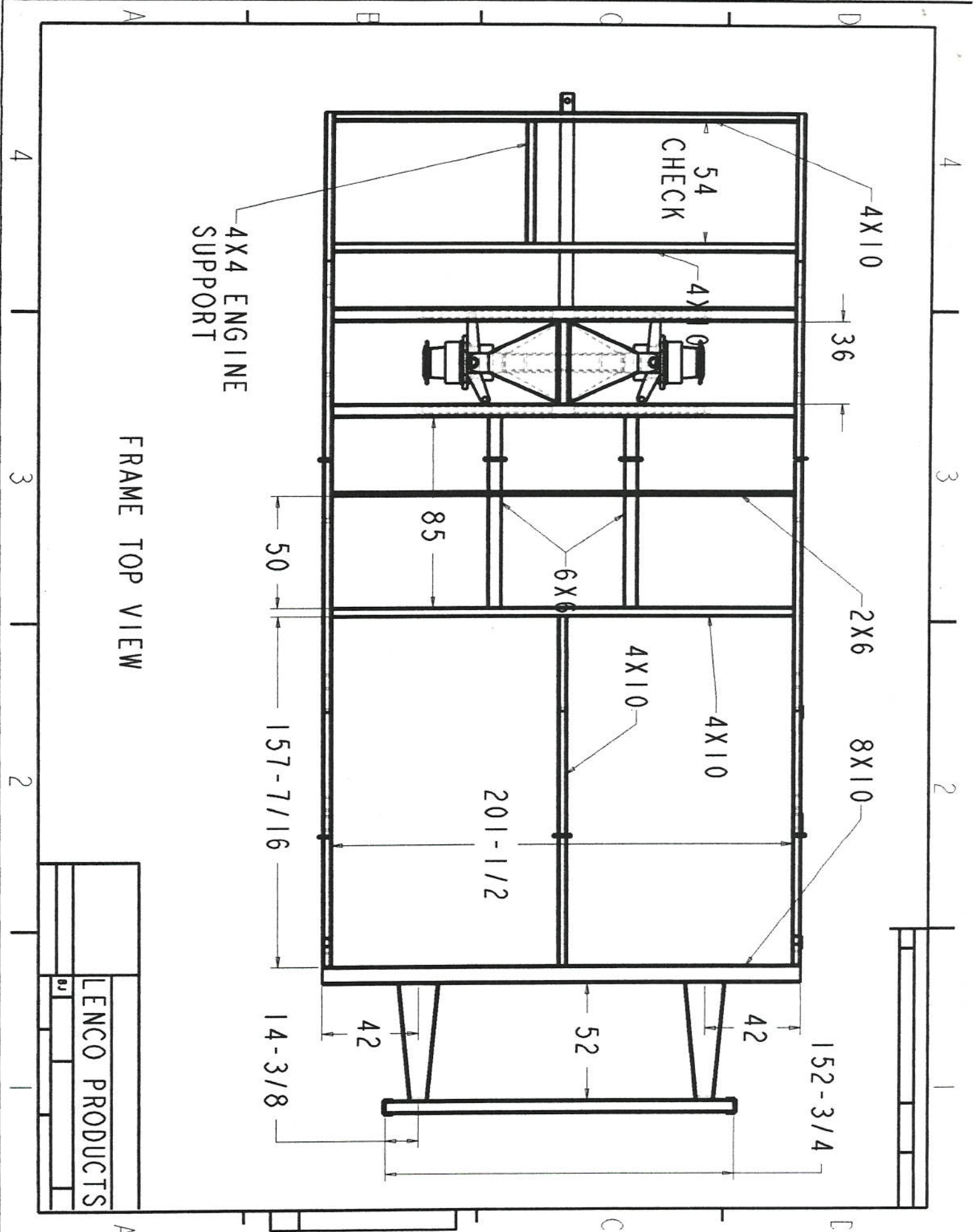
<u>QTY</u>	<u>DESCRIPTION</u>	<u>LOCATOIN</u>
12.....	7/8UNF X 6" LG HHCS GRADE 8 BOLTS	MTING FRT 'C' BLKS
12.....	7/8UNF NUTS/LOCKS	MTING FRT 'C' BLKS
56.....	7/8UNC X 3-1/2" LG HHCS GRADE 8 BOLTS	SPLIT PLTS
56.....	7/8UNC NUTS/LOCKS	SPLIT PLTS



NOTE: 201 - 1/2" FRAME ID

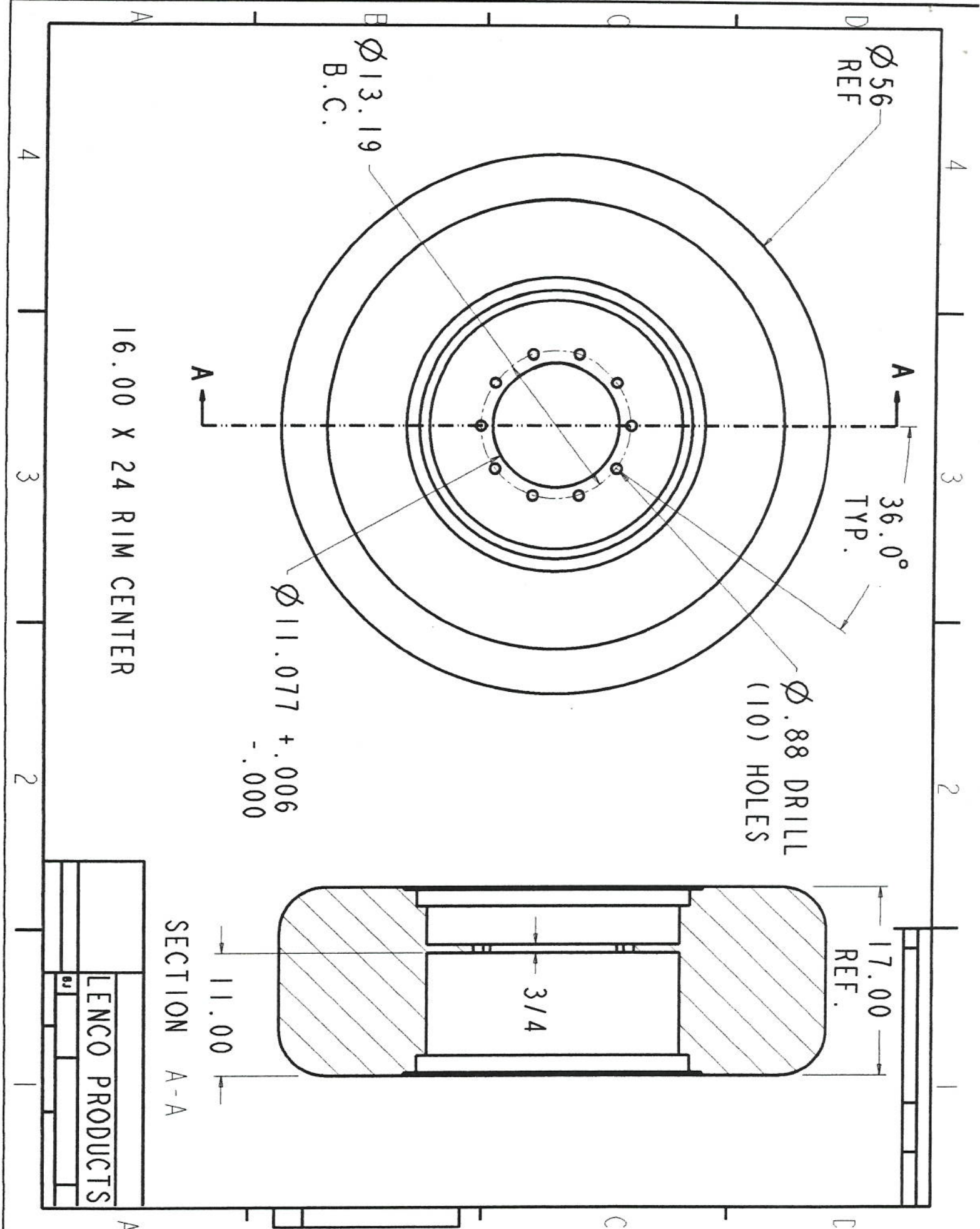
KITCHEN'S 6-ROW FRAME SIDE

LENCO PRODUCTS	
01	



FRAME TOP VIEW

LENCO PRODUCTS	
01	



Ø 56 REF

Ø 13.19
B.C.

36.0°
TYP.

Ø .88 DRILL
(10) HOLES

Ø 11.077 +.006
-.000

16.00 X 24 RIM CENTER

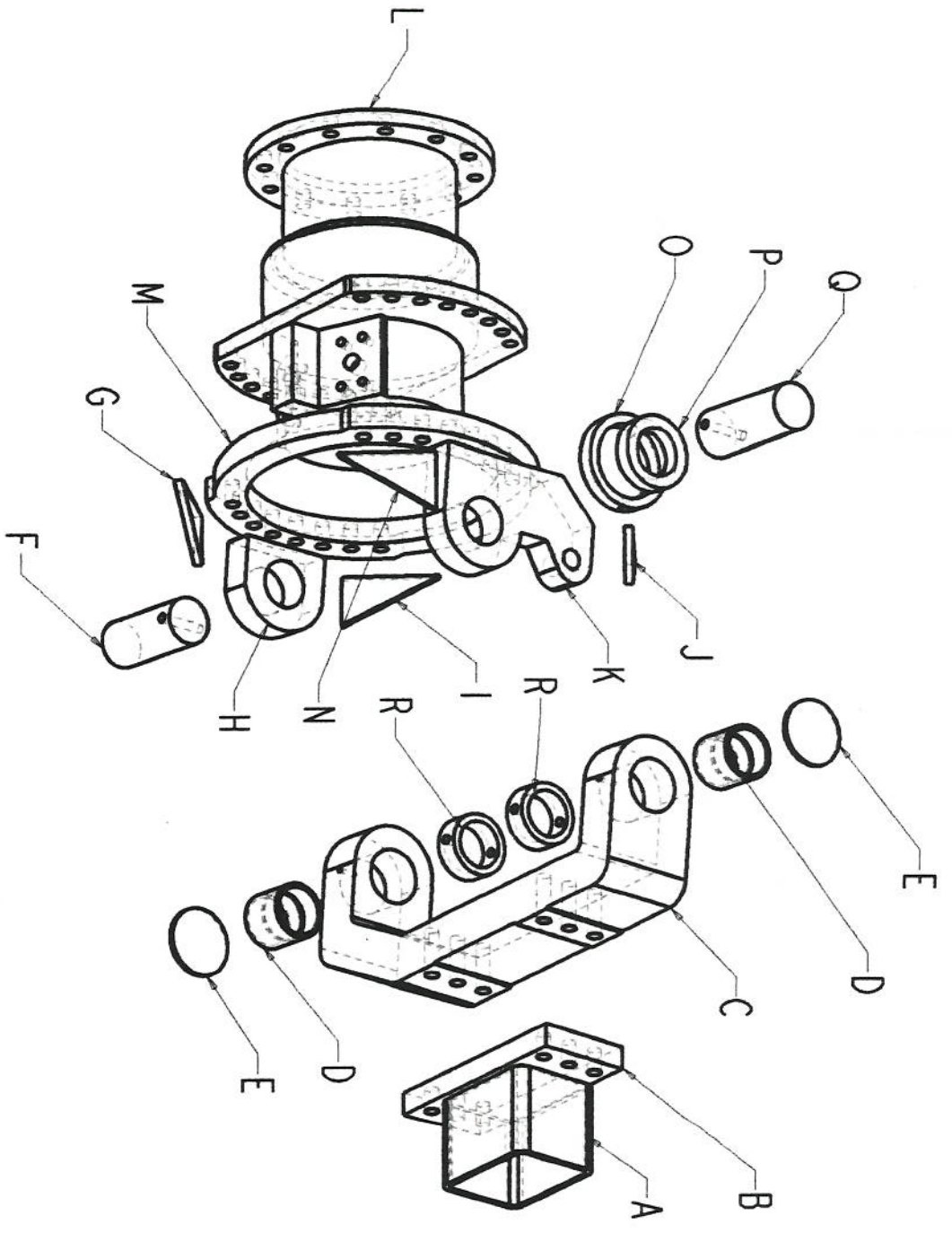
17.00 REF.

3/4

11.00

SECTION A-A

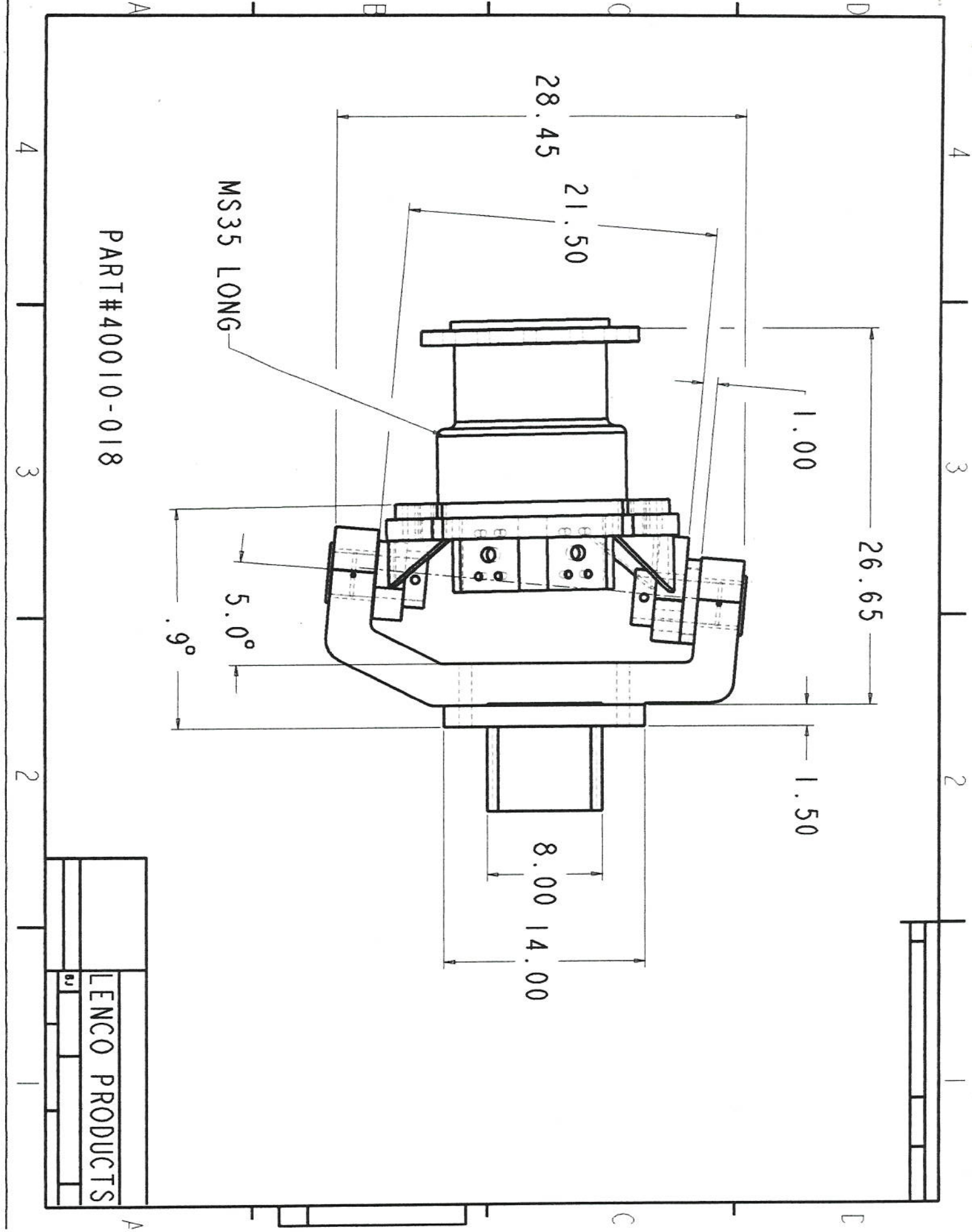
LENCO PRODUCTS	
831	



PART#40010-018

A	30044-018 AXLE TUBE
B	30036-018
C	30037-018
D	CB-4856-24
E	30001-700
F	30038-018
G	30043-700
H	30039-018
I	30043-700
J	30037-700
K	30040-018
L	MS35 LONG
M	30041-018
N	30037-700
O	30027-023
P	GT41 THRUST BRG
Q	30042-018
R	30043-018

LENCO PRODUCTS

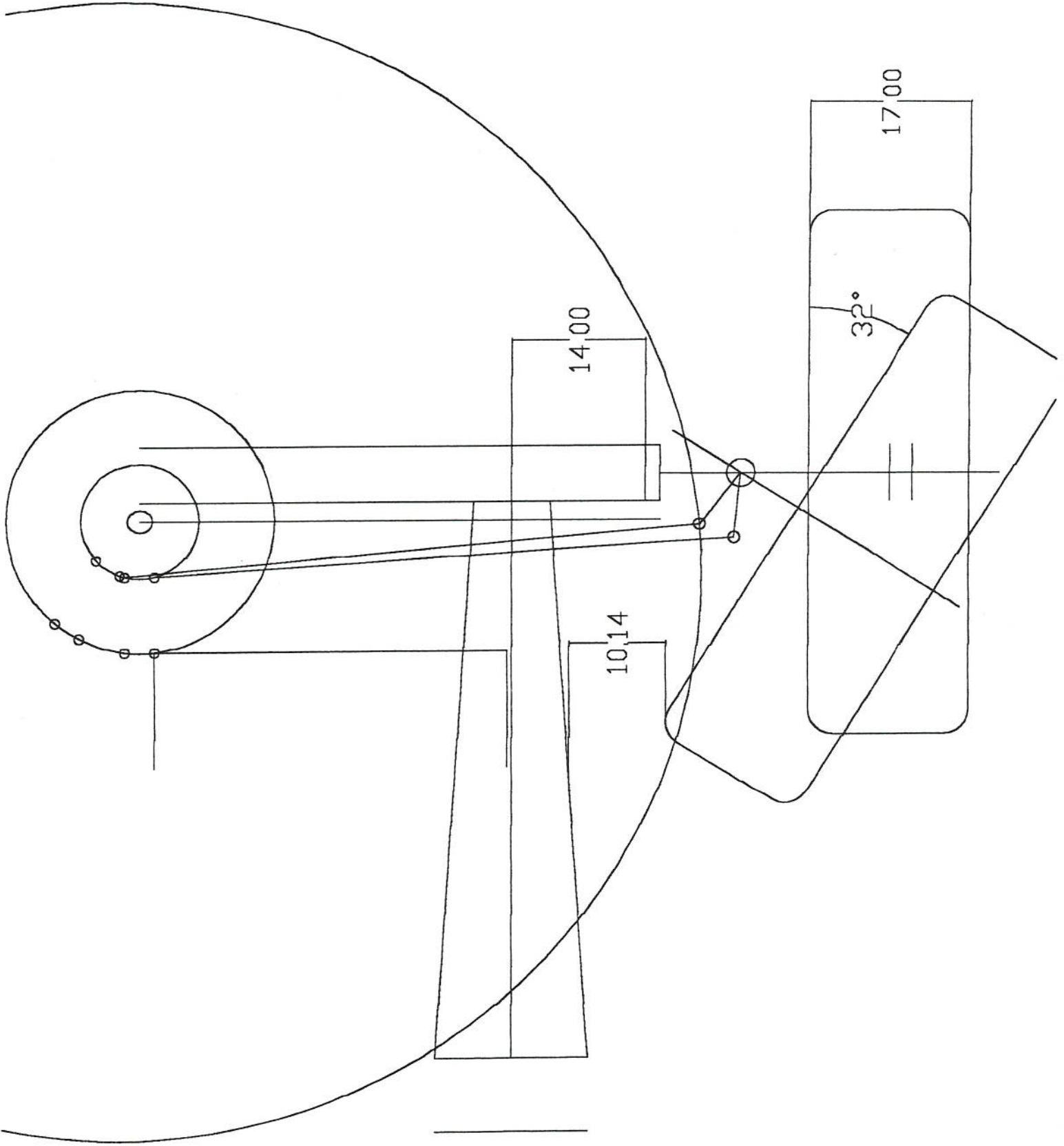


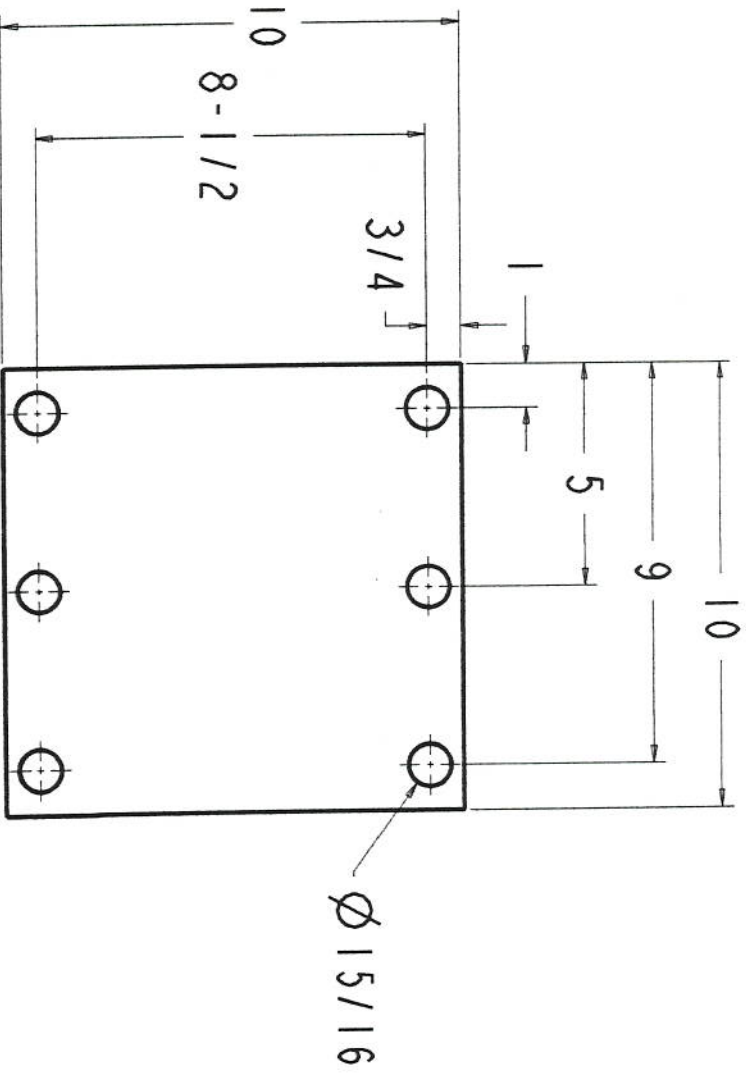
PART#40010-018

MS35 LONG

LENCO PRODUCTS

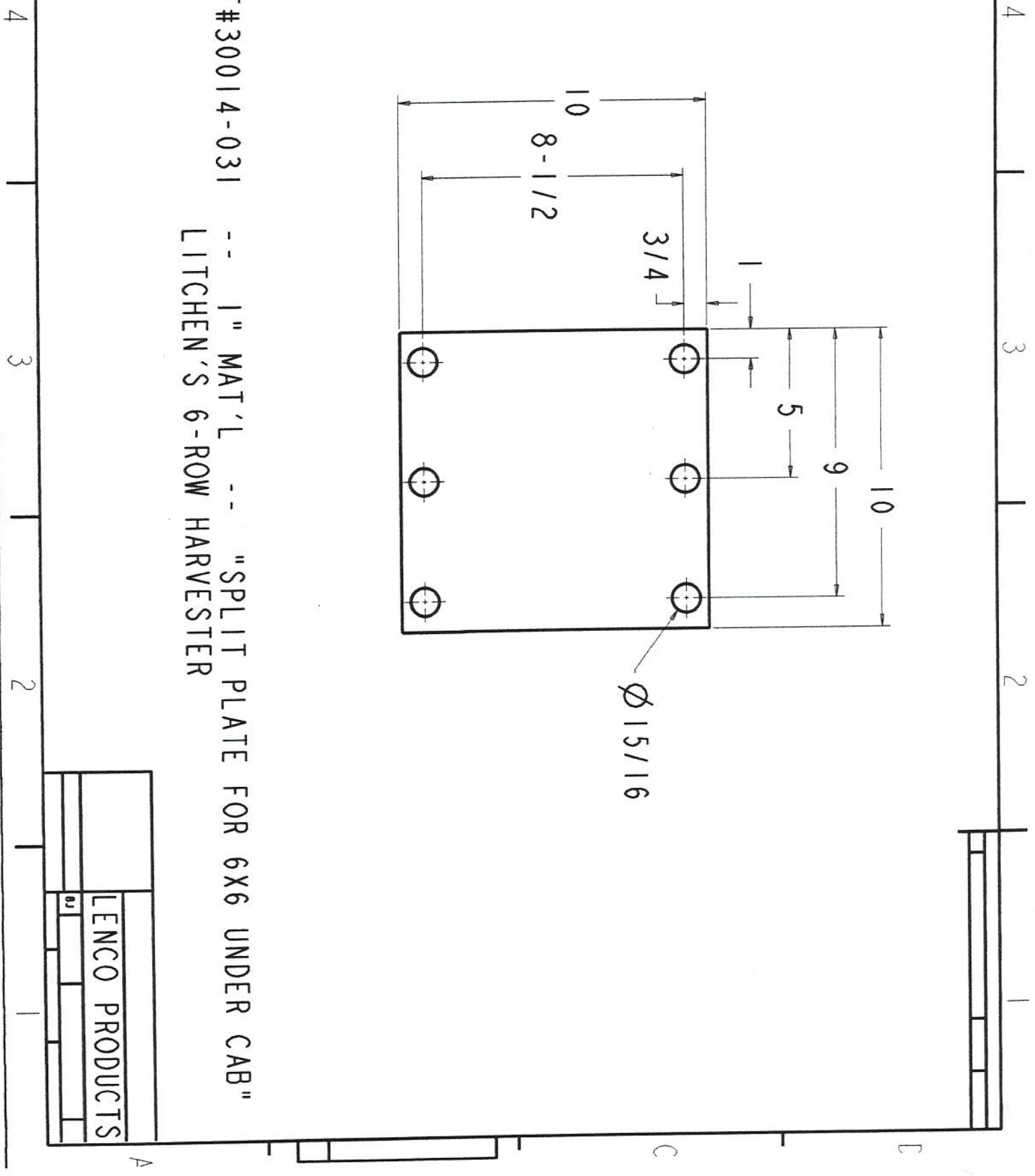
01

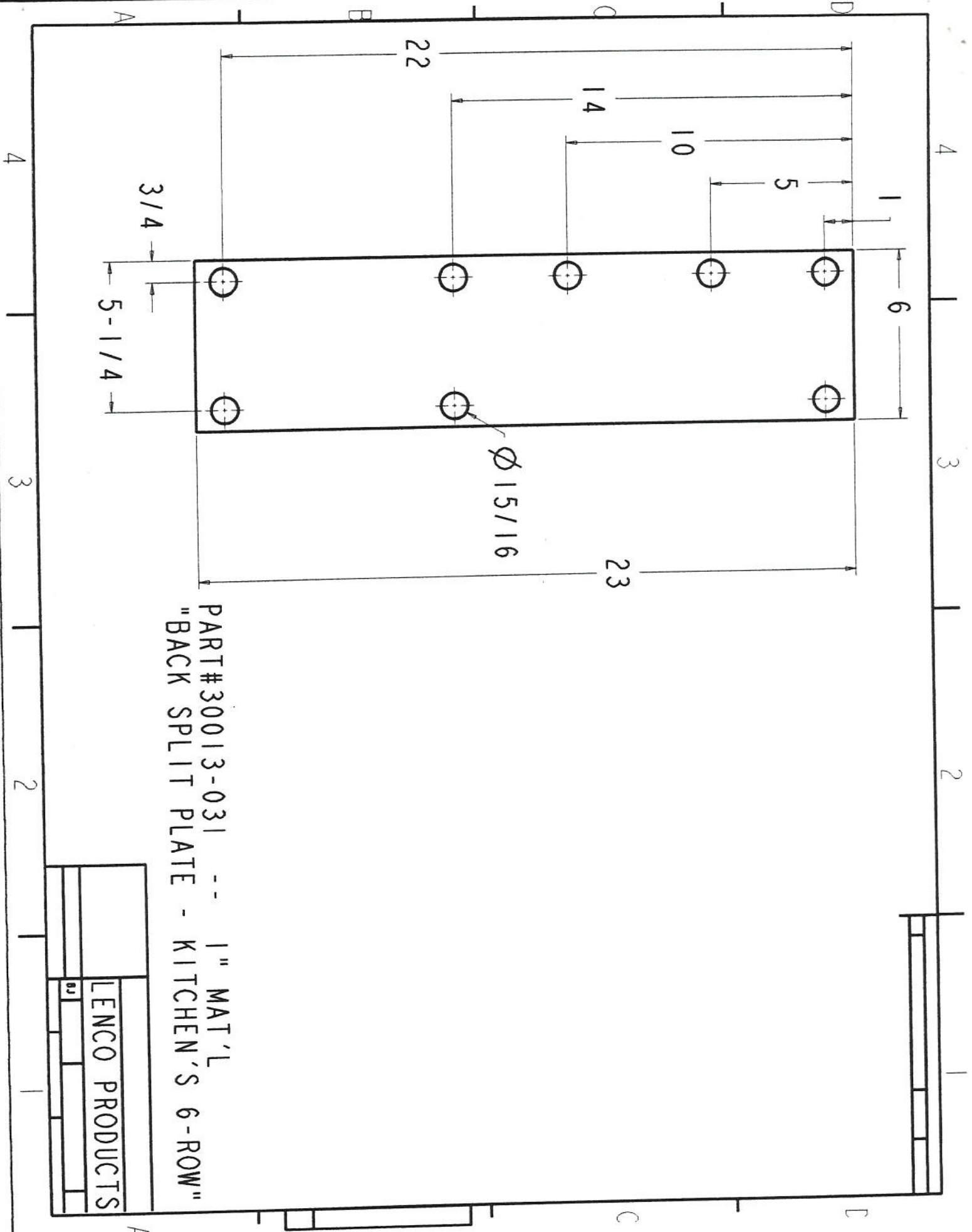




PART#30014-031 -- 1" MAT'L -- "SPLIT PLATE FOR 6X6 UNDER CAB"
 LITCHEN'S 6-ROW HARVESTER

LENCO PRODUCTS	
bu	

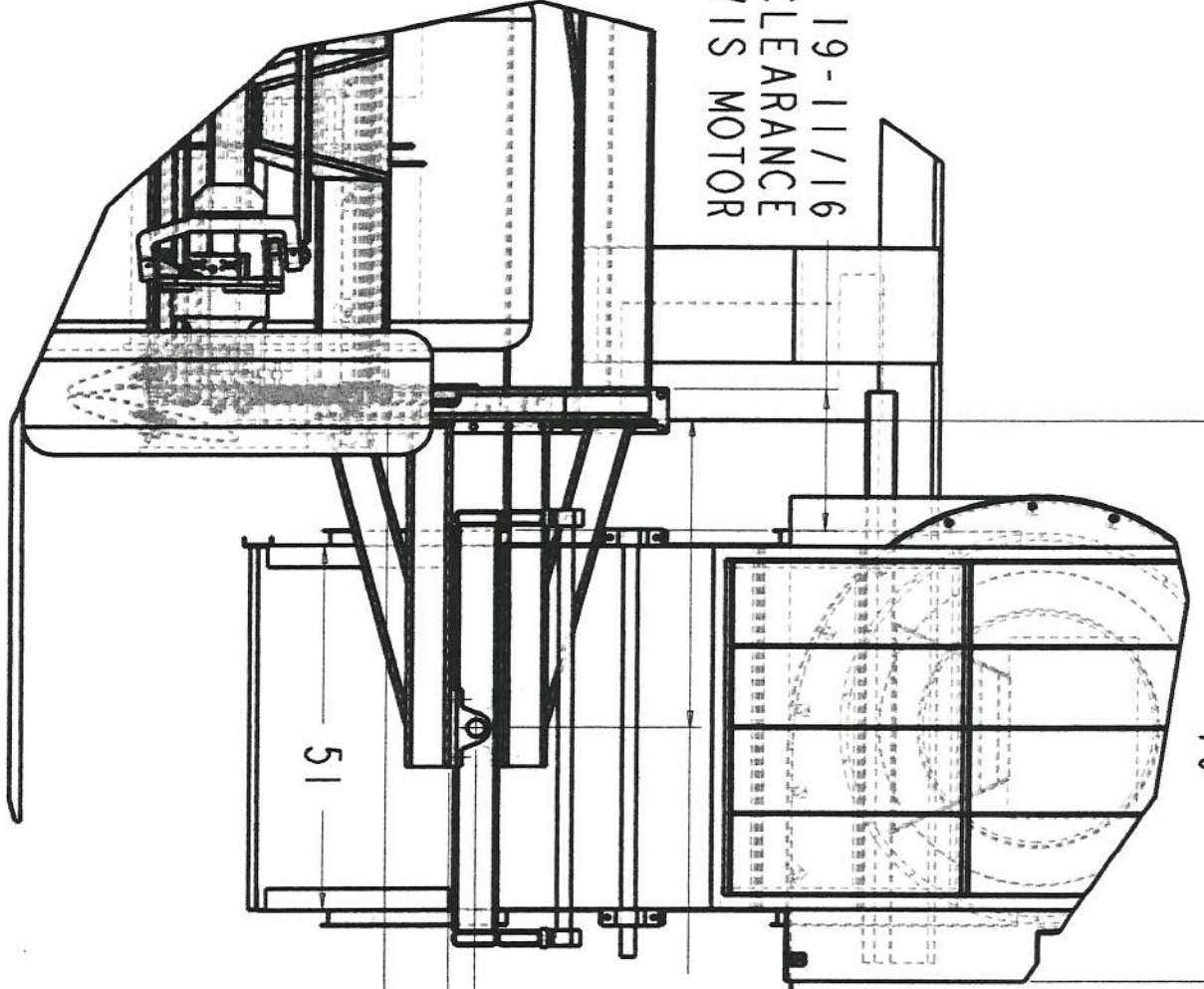




PART#30013-031 -- 1" MAT'L
 "BACK SPLIT PLATE - KITCHEN'S 6-ROW"

LENCO PRODUCTS	
031	

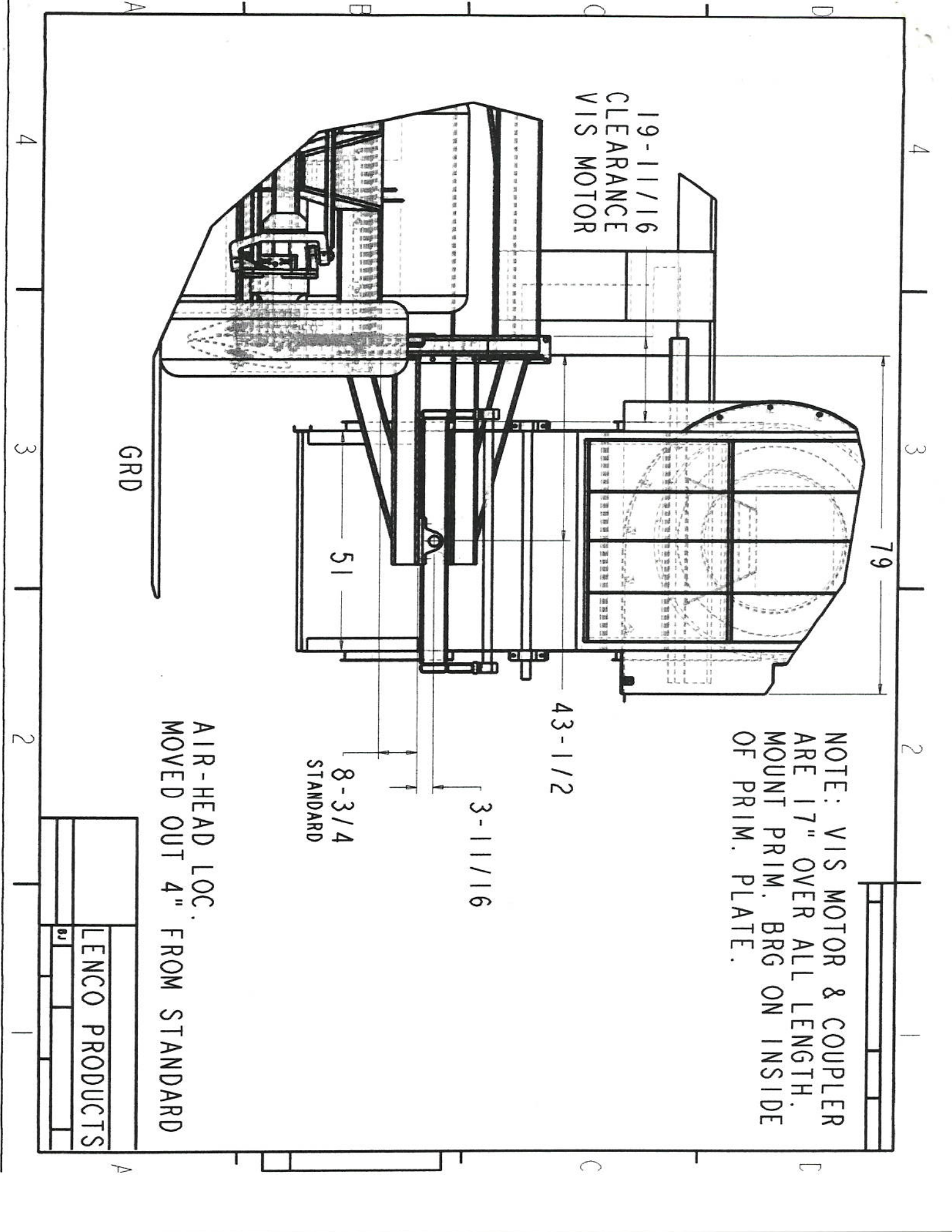
19-11/16
CLEARANCE
VIS MOTOR

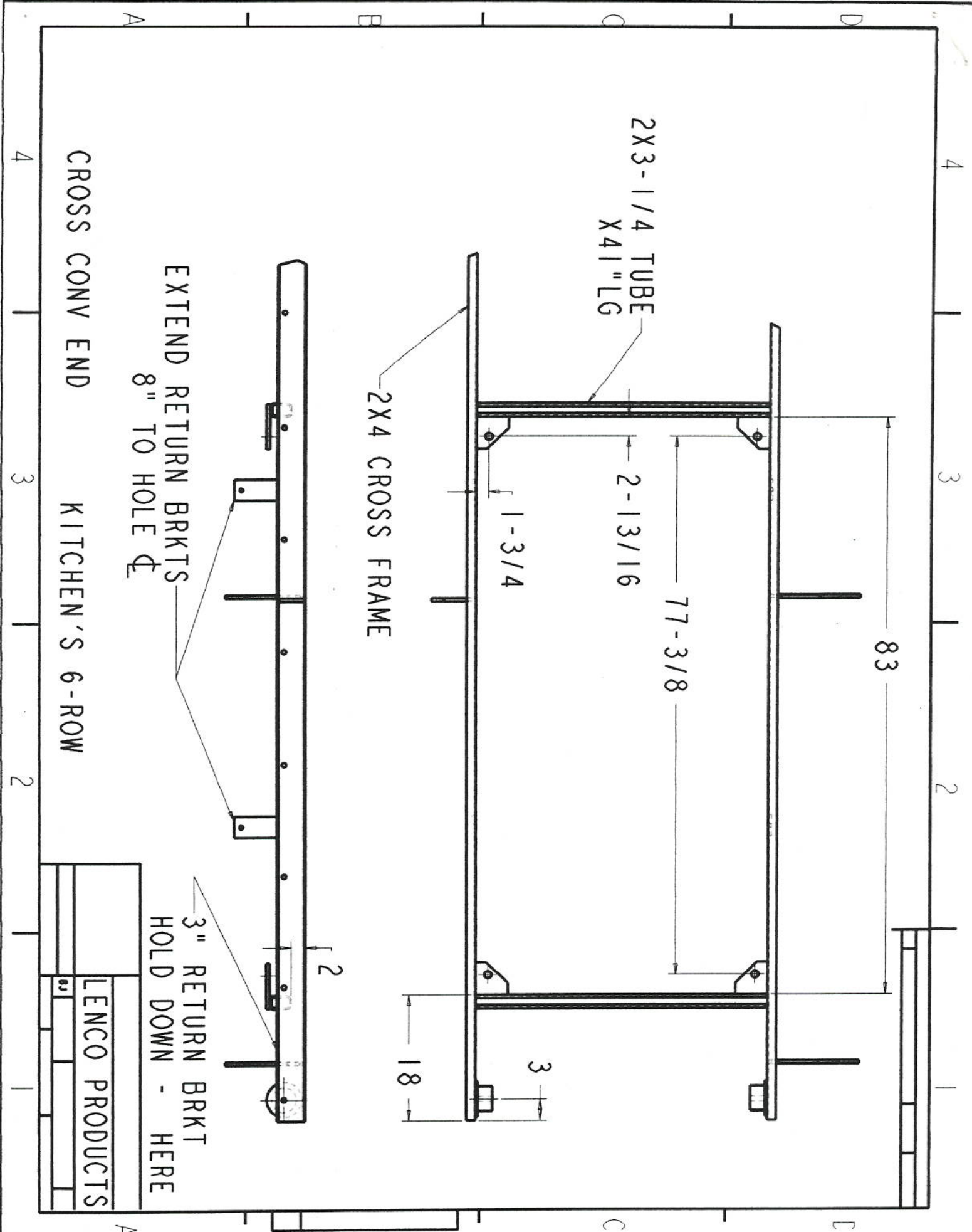


NOTE: VIS MOTOR & COUPLER
ARE 17" OVER ALL LENGTH.
MOUNT PRIM. BRG ON INSIDE
OF PRIM. PLATE.

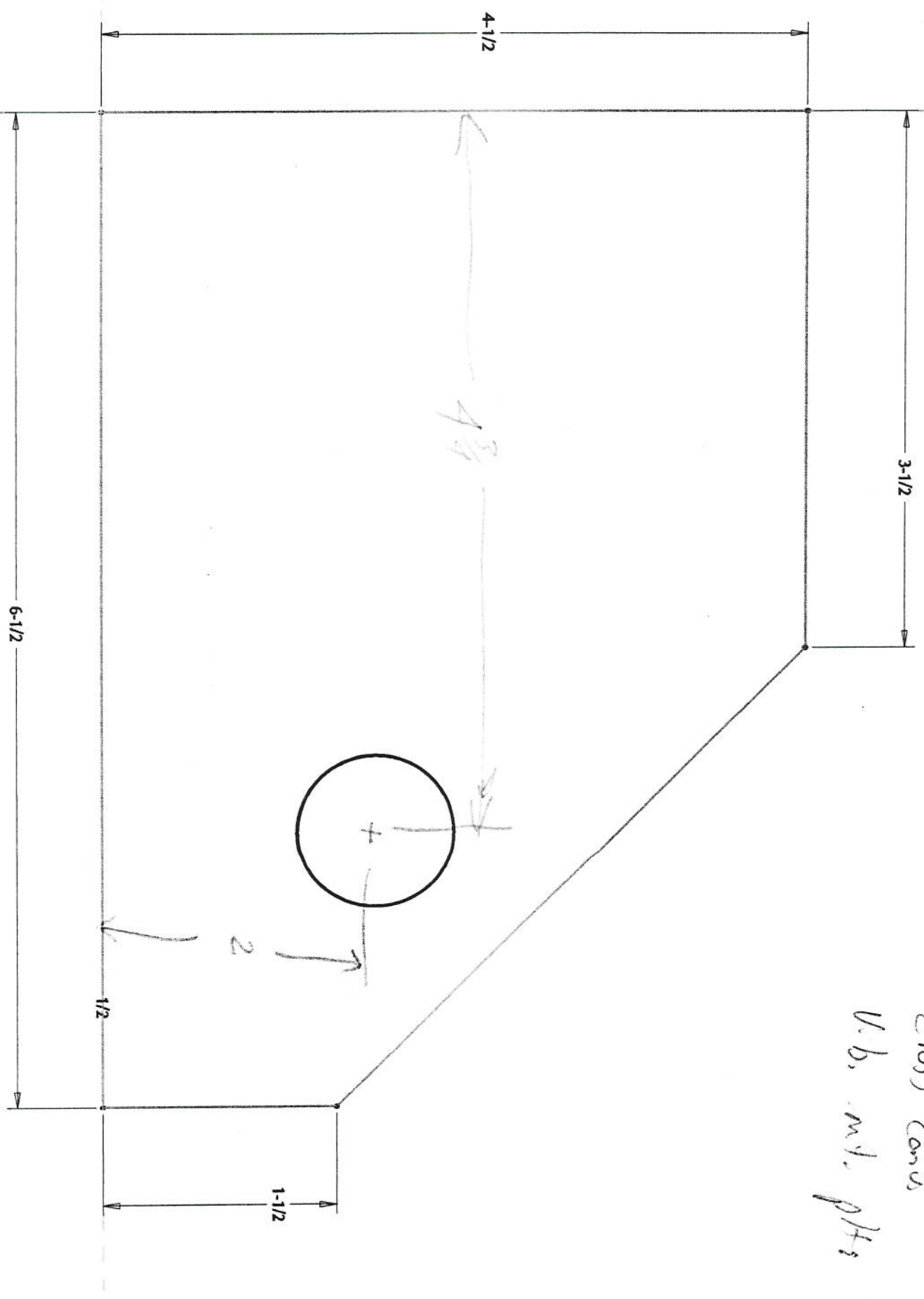
AIR-HEAD LOC.
MOVED OUT 4" FROM STANDARD

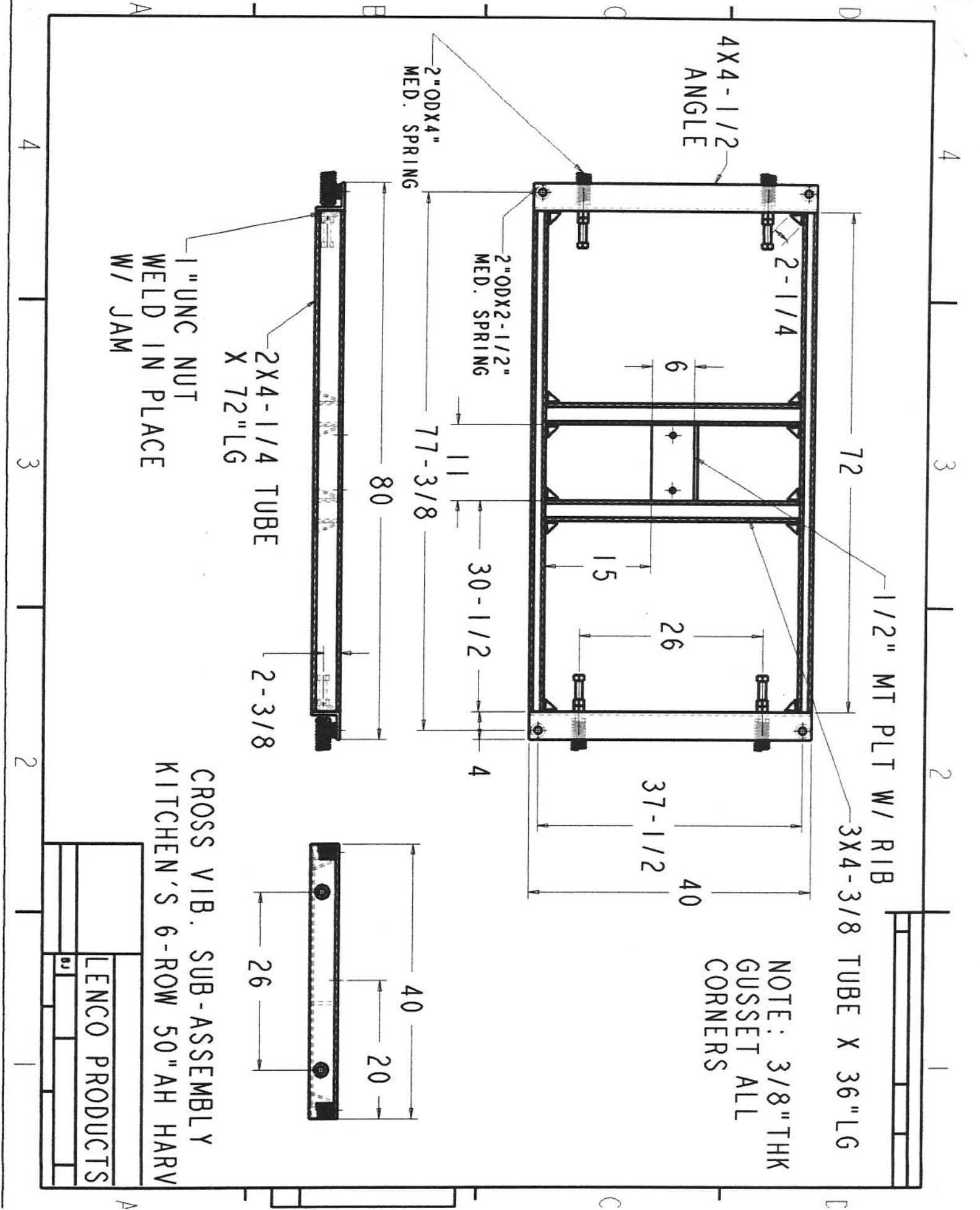
LENCO PRODUCTS	
bu	





Cross Canvas
U.b. mt. p/Hs





1" UNC NUT
WELD IN PLACE
W/ JAM

2X4-1/4 TUBE
X 72" LG

2-3/8

CROSS VIB. SUB-ASSEMBLY
KITCHEN'S 6-ROW 50" AH HARV

LENCO PRODUCTS

4X4-1/2
ANGLE

2" ODX4"
MED. SPRING

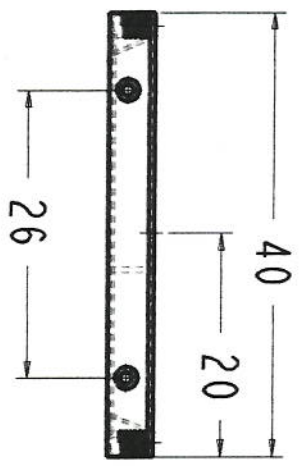
2" ODX2-1/2"
MED. SPRING

2-1/4

1/2" MT PLT W/
RIB

3X4-3/8 TUBE X 36" LG

NOTE: 3/8" THK
GUSSET ALL
CORNERS



4

3

2

4

3

2

72

6

77-3/8

80

11

30-1/2

4

15

26

37-1/2

40

40

20

26

A

B

C

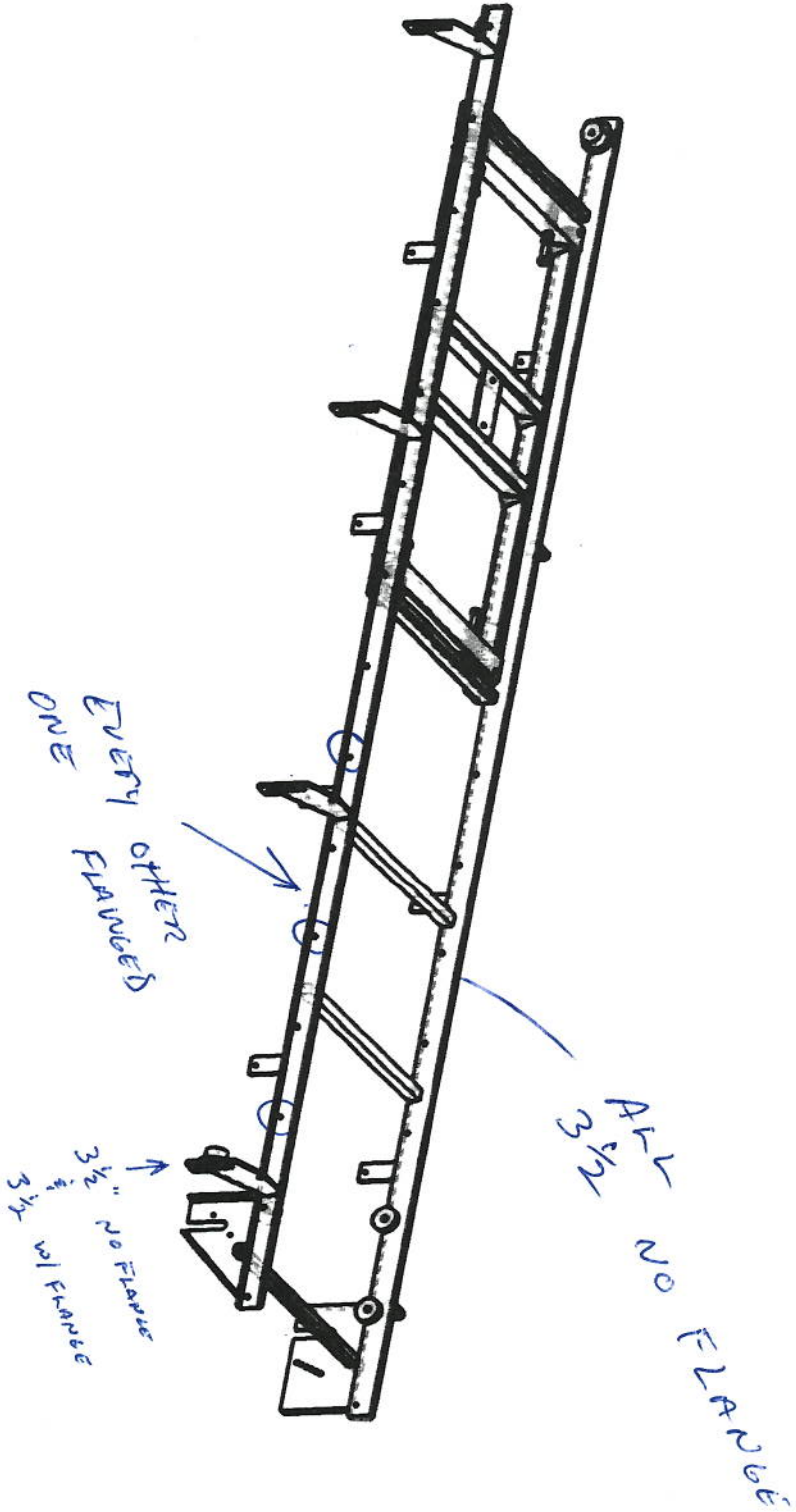
D

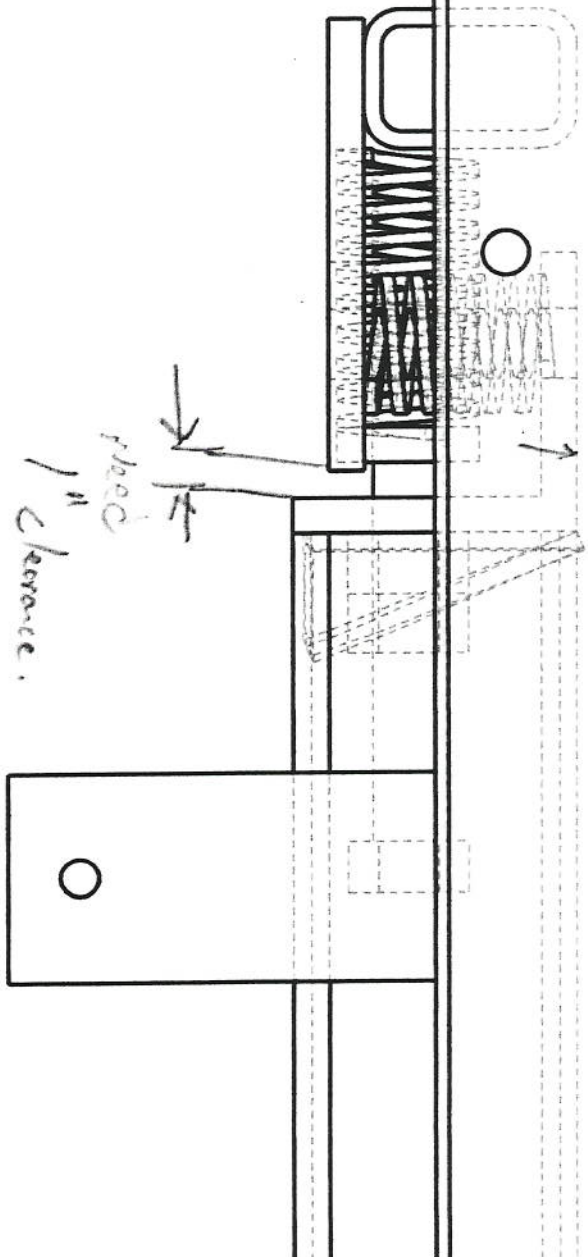
A

C

D

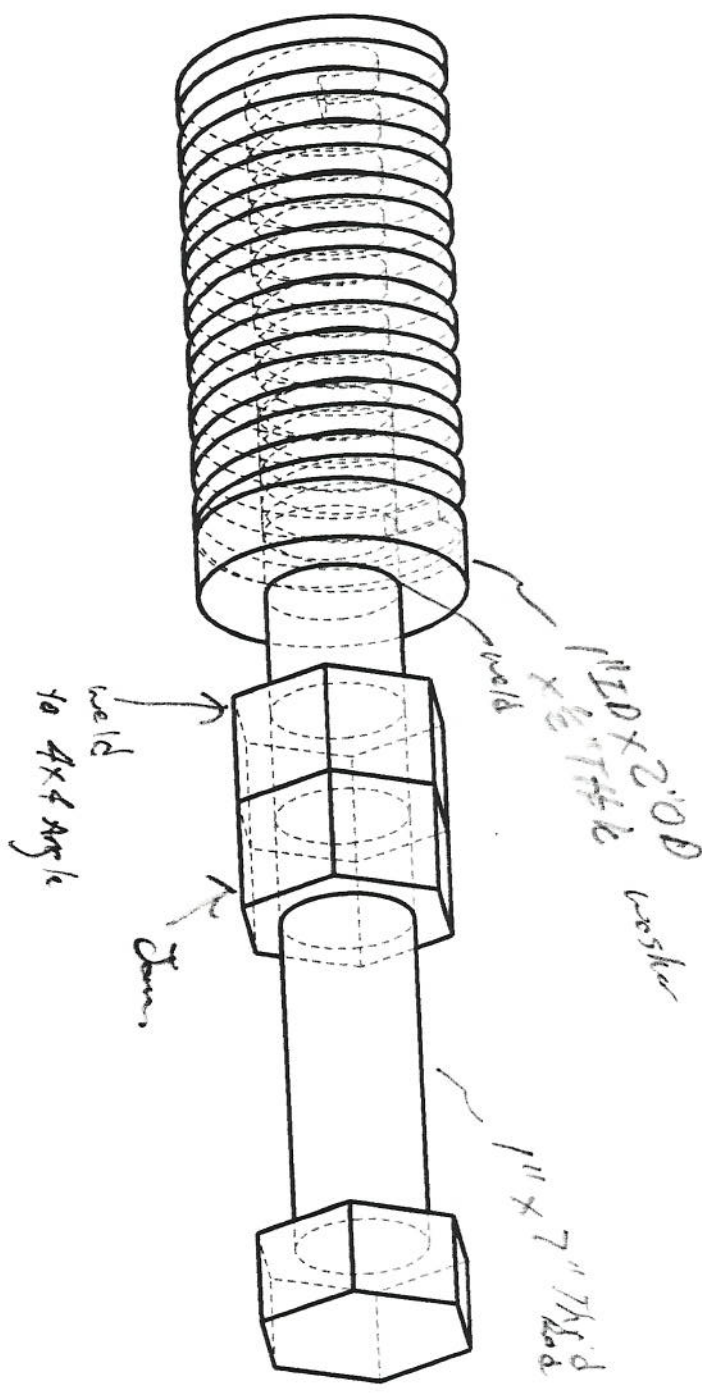
- 17 - 3 1/2" w/ FLANGE
- 13 - 3 1/2" w/out FLANGE
- 8 - 4" GREEN
- 1 - 3 1/2" RUBBER w/ 8" FLANGE





2" For 1" Plastic + Chain





This is so you can loosen Spring Assembly
 so you can remove O.b. Bed.

