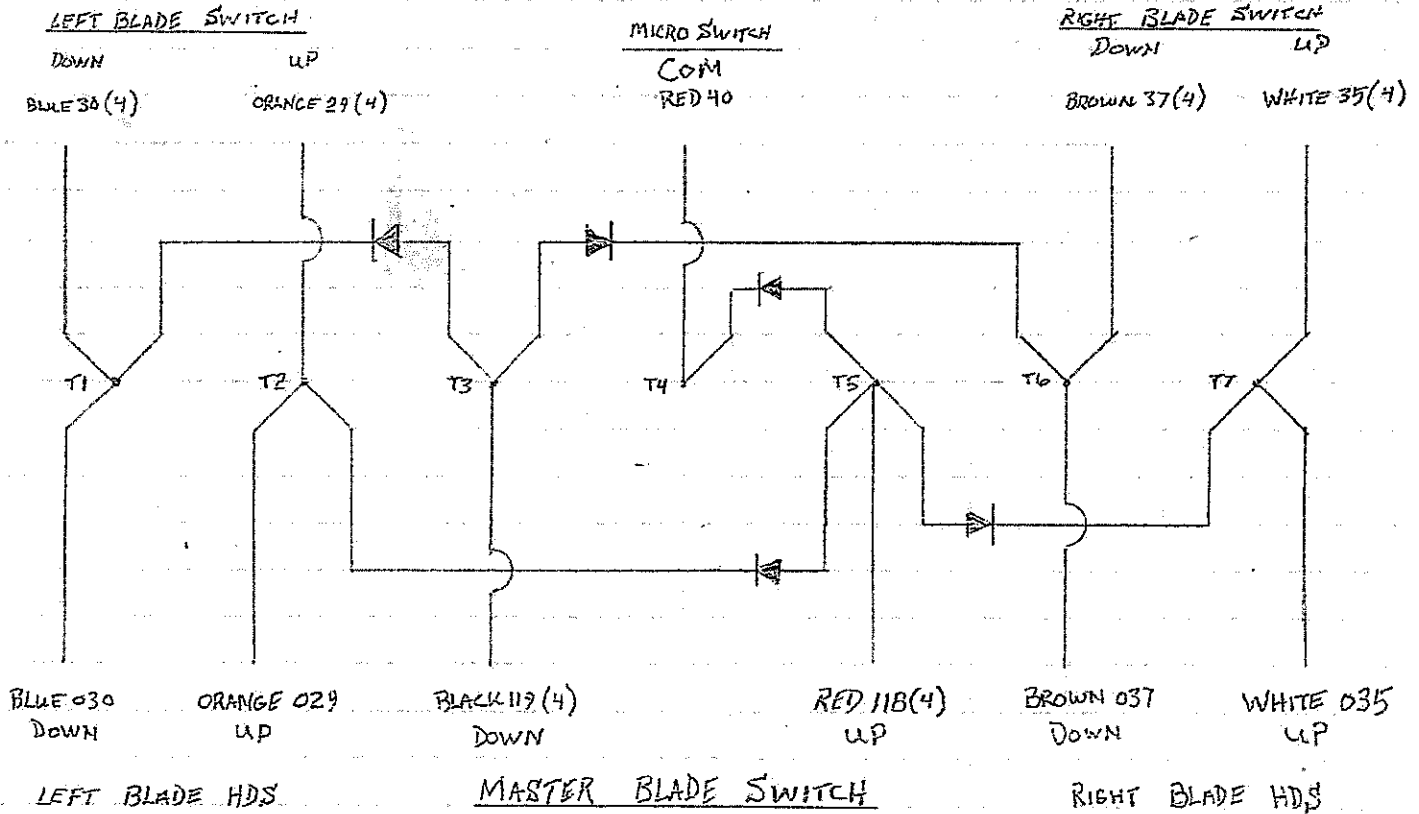
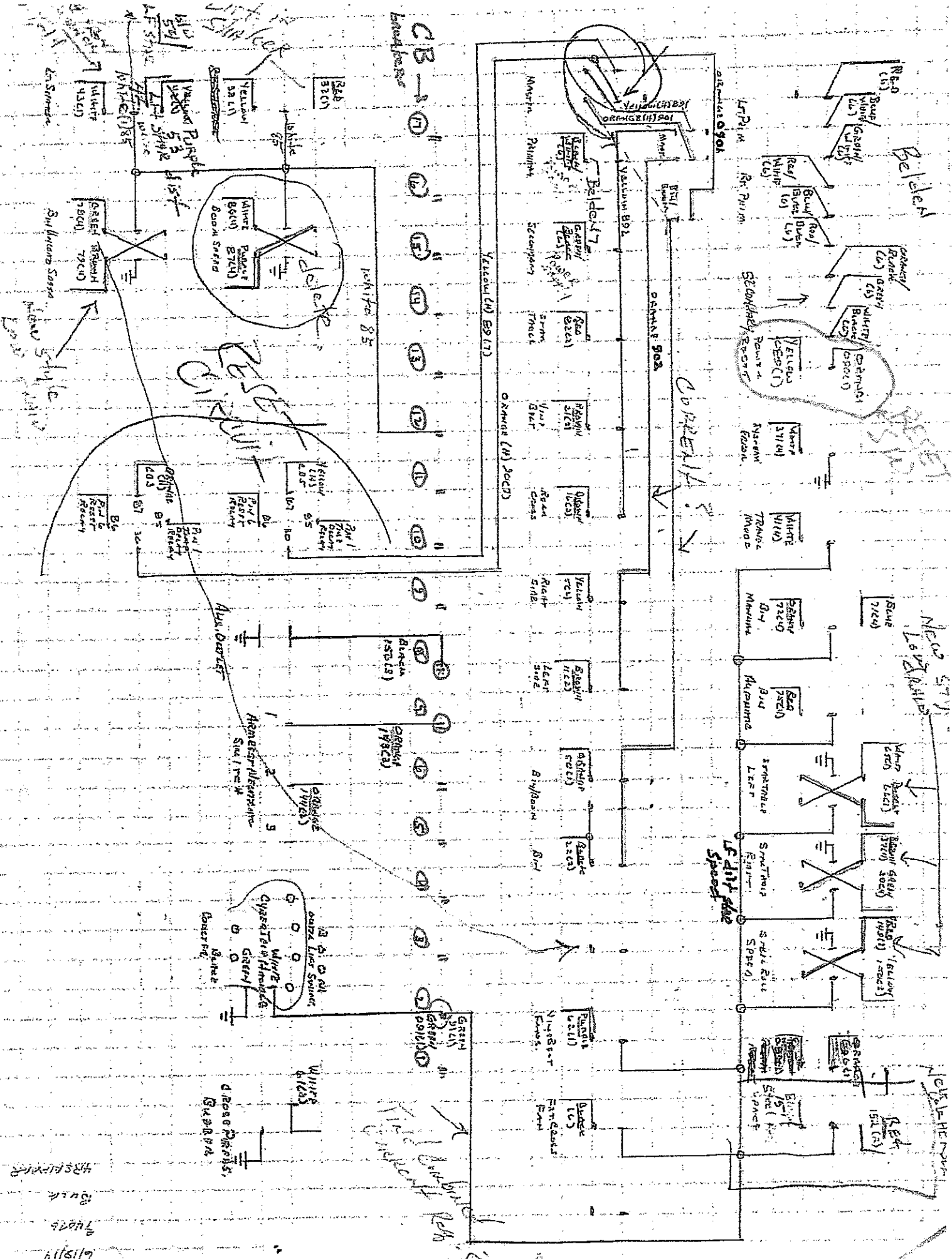


# BLADE / COLLTER CONTROL (TOP TERMINAL STRIP)

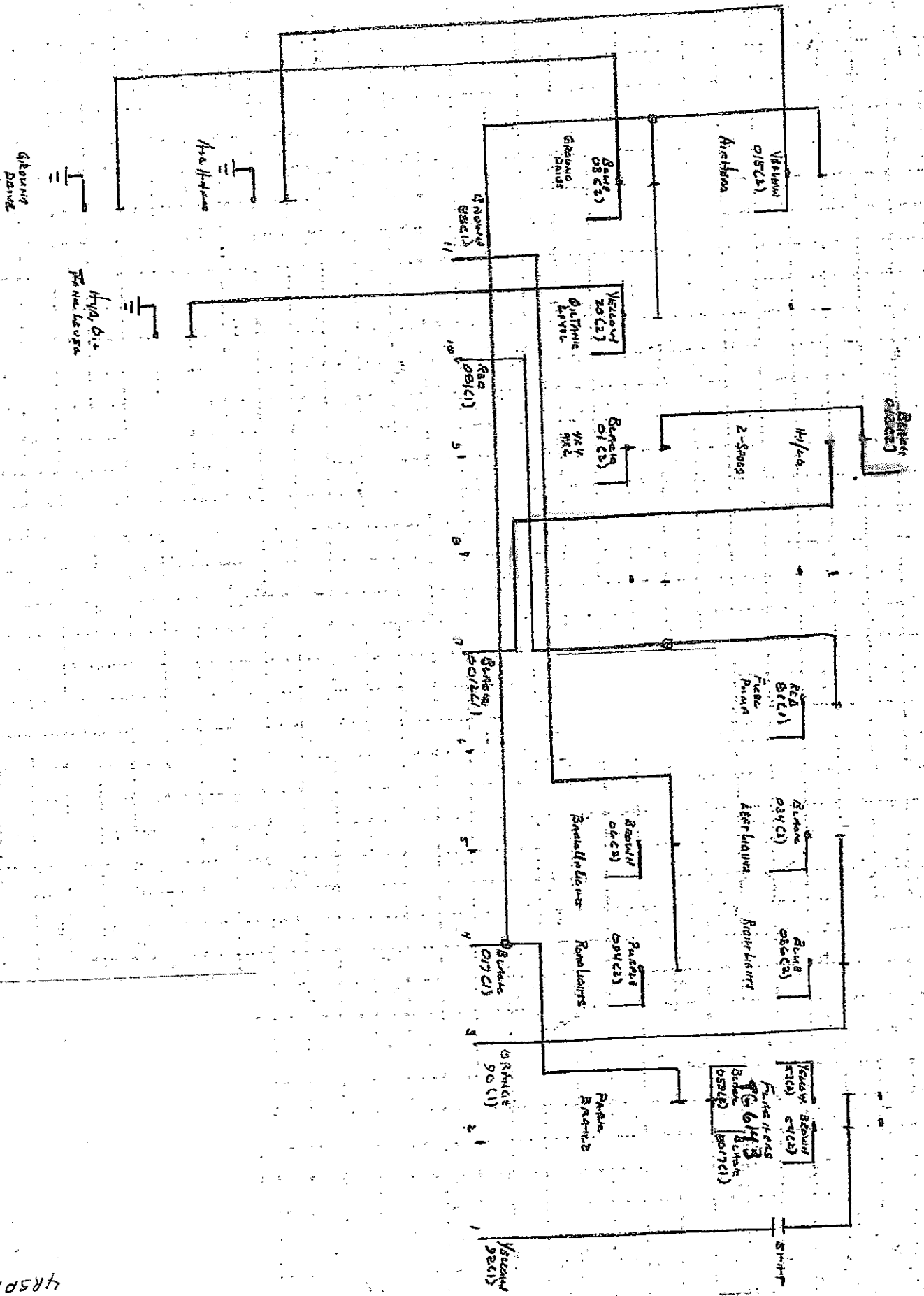


PLUG #1

PIN 1	BLUE	30(4)	A806CH ENCLOSURE (2001-0160)
2	ORANGE	29(4)	10- 2001-0179 DIODE
3	RED	40	8"- 2001-0619 #3 DIN RAIL (35mm)
4	BROWN	37(4)	14- 2001-1003 TERMINAL BLOCK
5	WHITE	35(4)	4- 2001-1079 END CLAMP
6			2- 2001-0941 END BARRIER
7	BLUE	030	2- 2001-0125 12 PIN MOUNTED RECEPTACLE
8	ORANGE	029	2- 2001-0276 12 PIN PLUG
9	BLACK	119(4)	2- 2001-0136 W12S
10	RED	118(4)	2- 2001-0134 W12P
11	BROWN	037	2- 2001-0055 CAVITY PLUG
12	WHITE	035	22- 2001-0078 CONTACT PINS
			22- 2001-0080 CONTACT SOCKETS
			160 FT- 2001-0305 WG16



6/19/14  
 4:30 PM  
 7:00 PM



12/14/15  
 M. J. P. H. S.  
 4R50H-SDH4