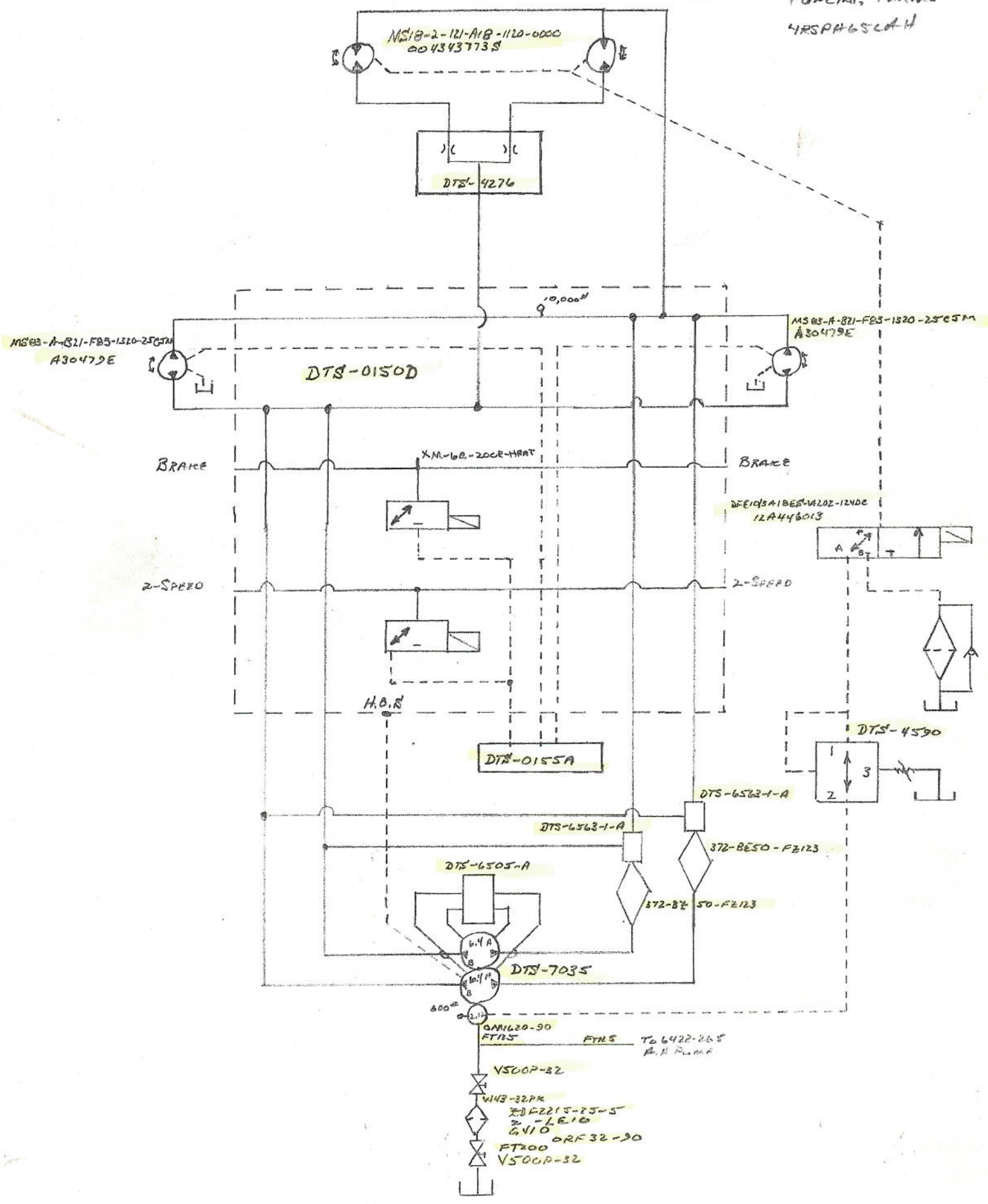


14075

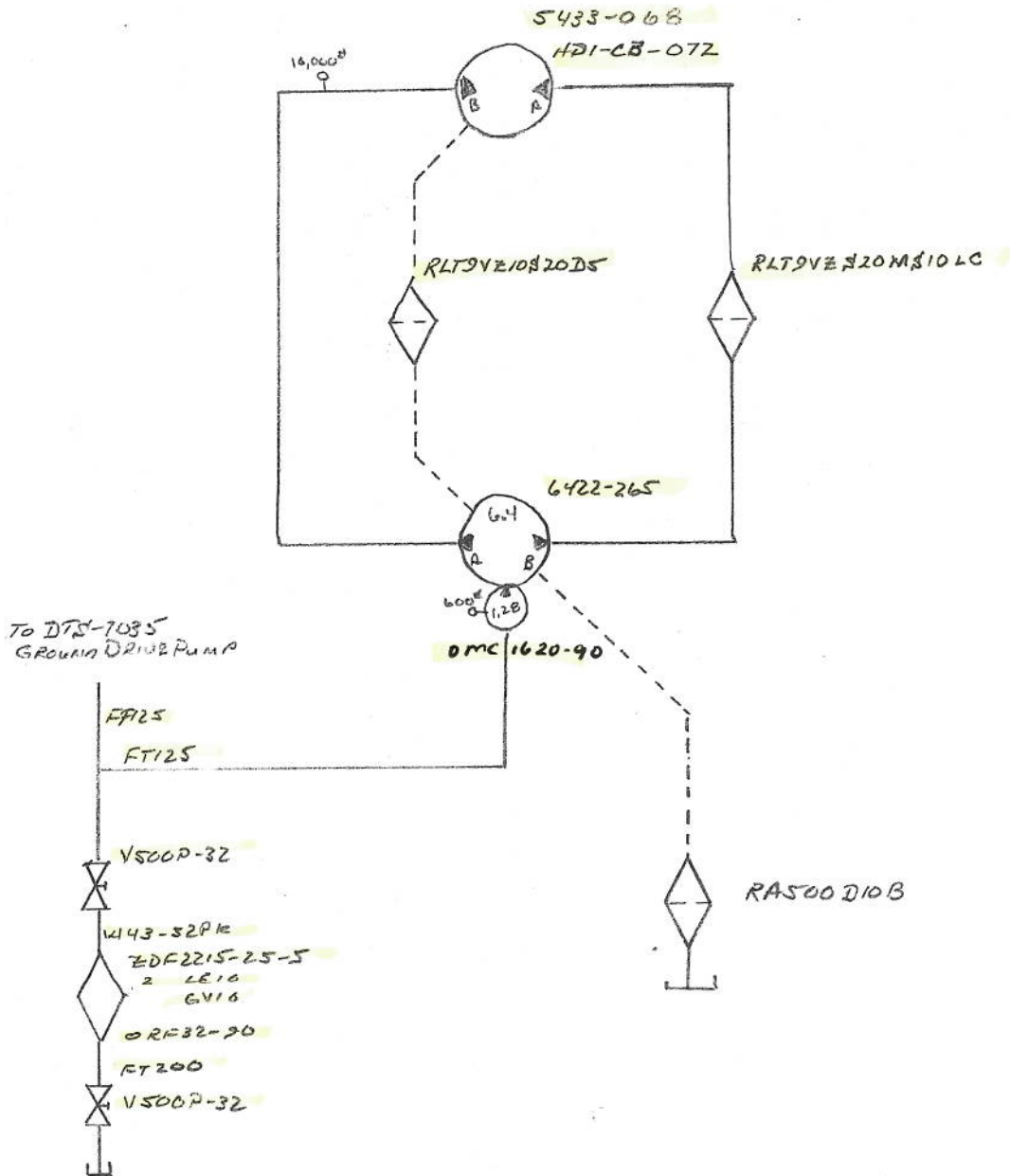
~~FR~~ P Topling

4RSPH W65" AH

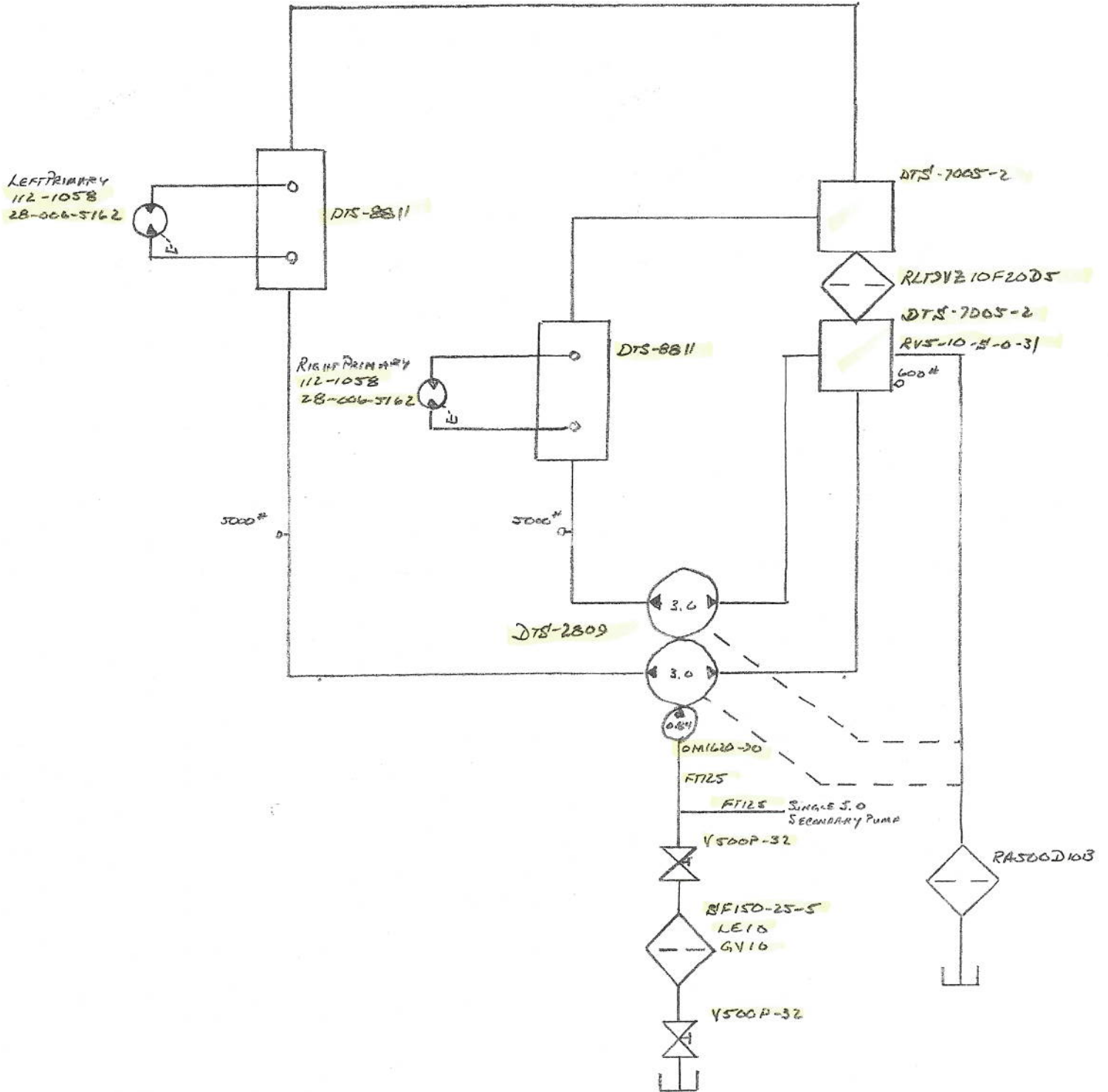
1/13/14  
 E14075  
 TUGLINE, FORWARD  
 HRS PA 65 L A H



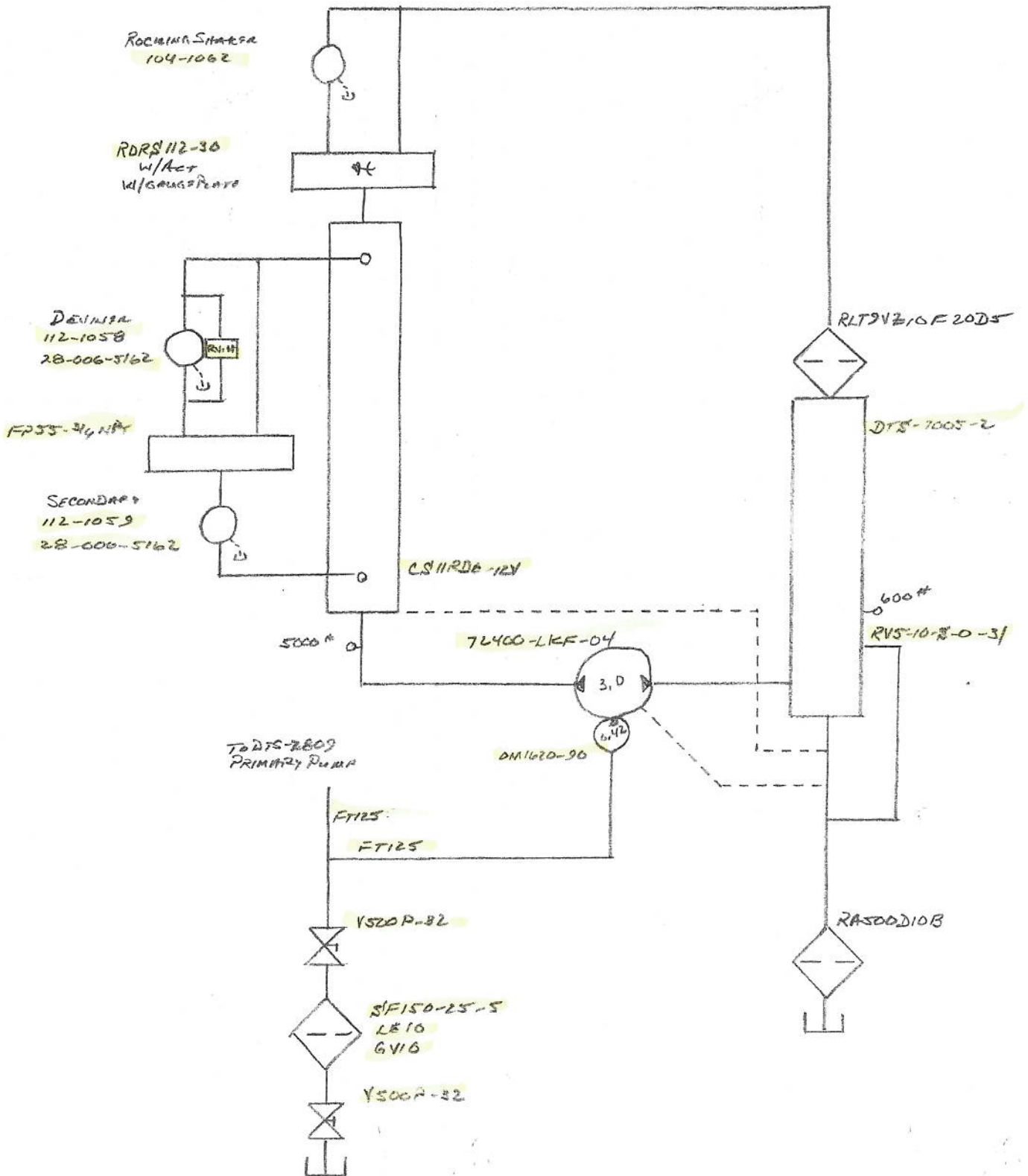
1/13/14  
#14075  
TURLING FARMS  
YRSAN 65LAW



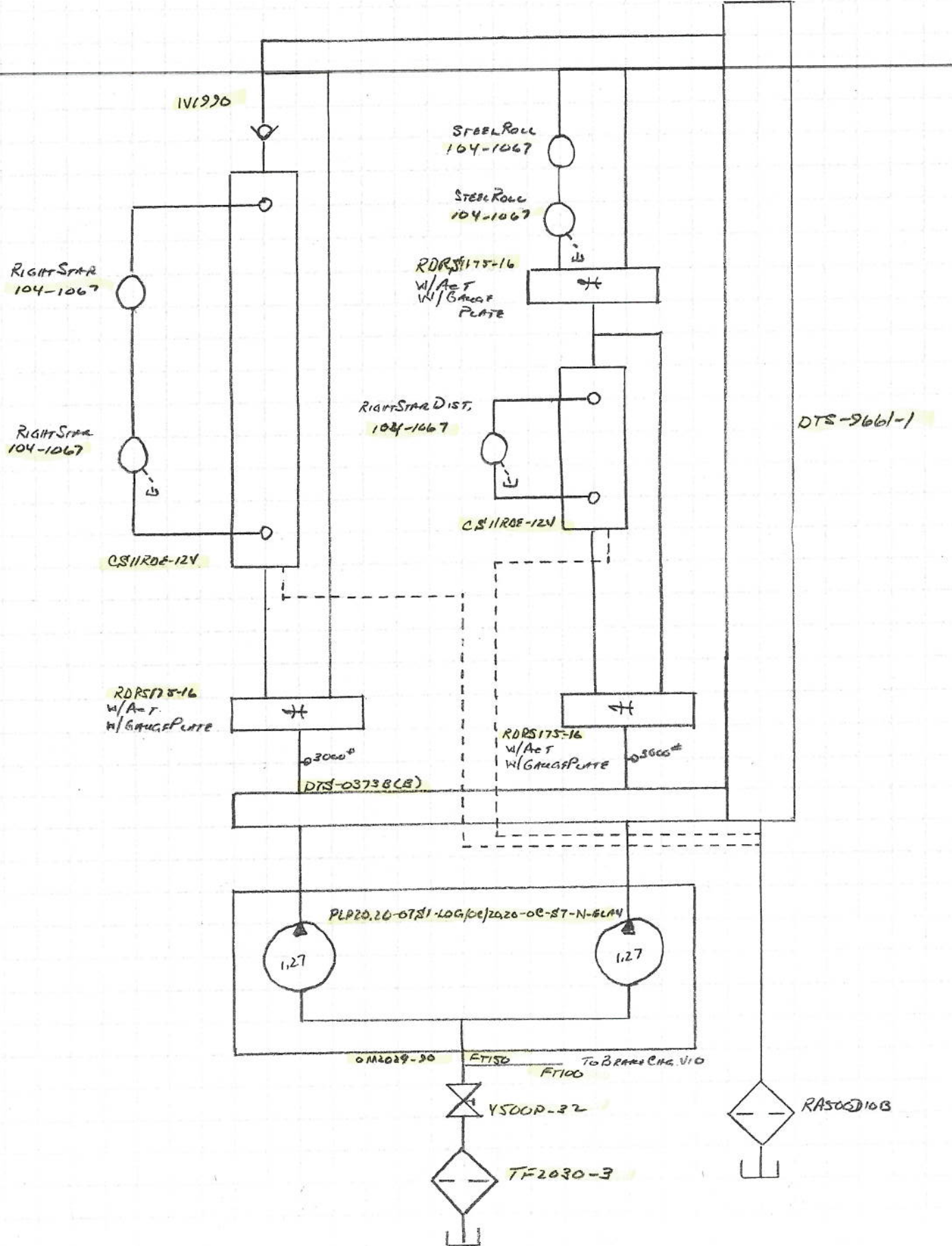
1/13/14  
#14075  
TRAINING FARM  
ARSR65CAM



1/13/14  
E14075  
TURLING FARMS  
4665 LAH



4/19/14 #14075  
TUPLING FRAMES  
4RSPH652AH



IV1990

RIGHT STRA  
104-1067

RIGHT STRA  
104-1067

CS11R06-12V

STEEL ROLL  
104-1067

STEEL ROLL  
104-1067

RDRS175-16  
W/ACT  
W/GAUGE PLATE

RIGHT STRA DIST  
104-1067

CS11R06-12V

RDRS175-16  
W/ACT  
W/GAUGE PLATE

03000#  
DTS-0373B(8)

RDRS175-16  
W/ACT  
W/GAUGE PLATE

03000#

PLP20.20-07S1-LOG/CE/2020-0E-ST-N-6LW

1.27

1.27

0M209-90

FT150

To BRANCH V10  
FT100

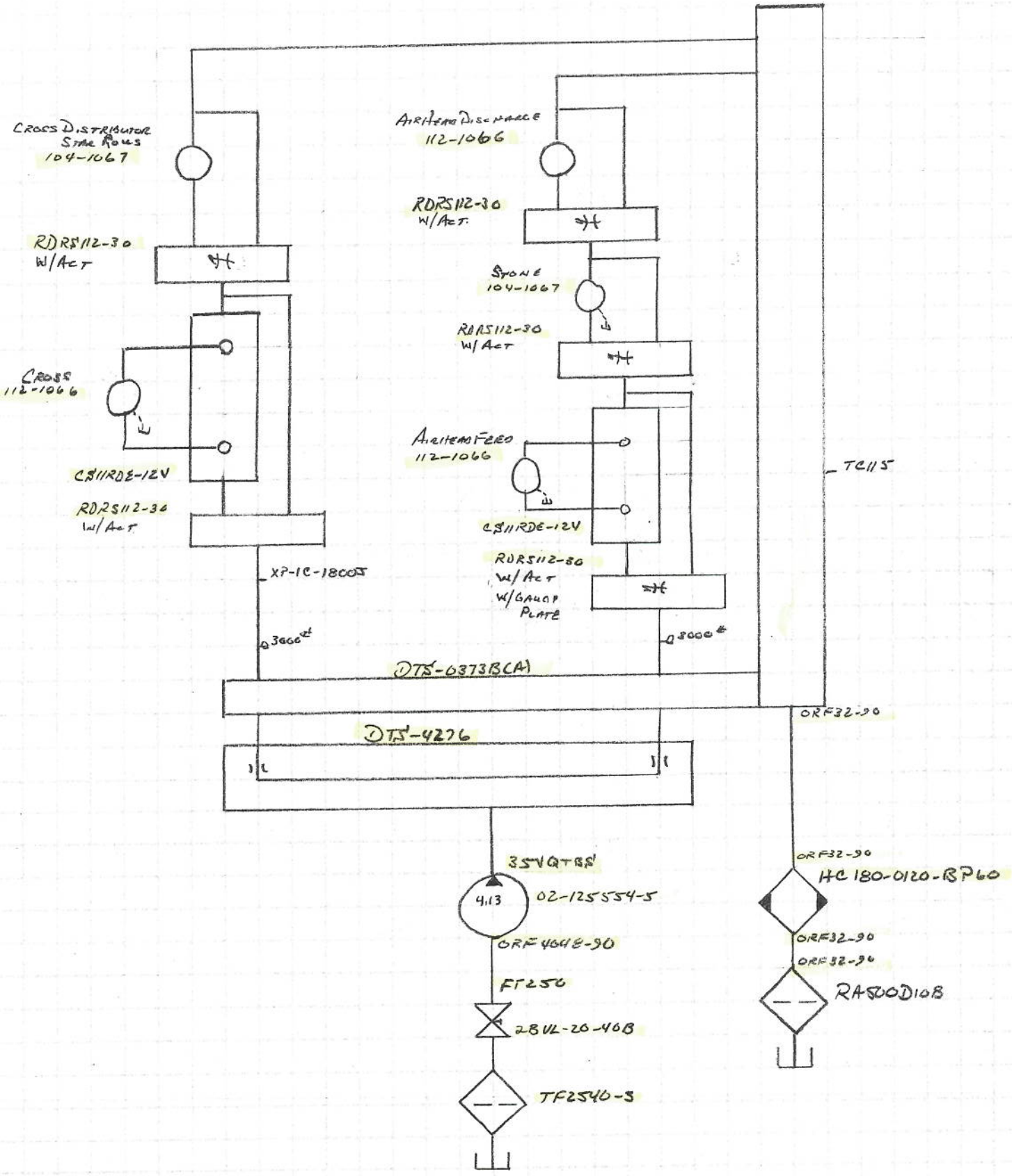
Y500P-32

TF2030-3

DTS-9661-1

RAS05D10B

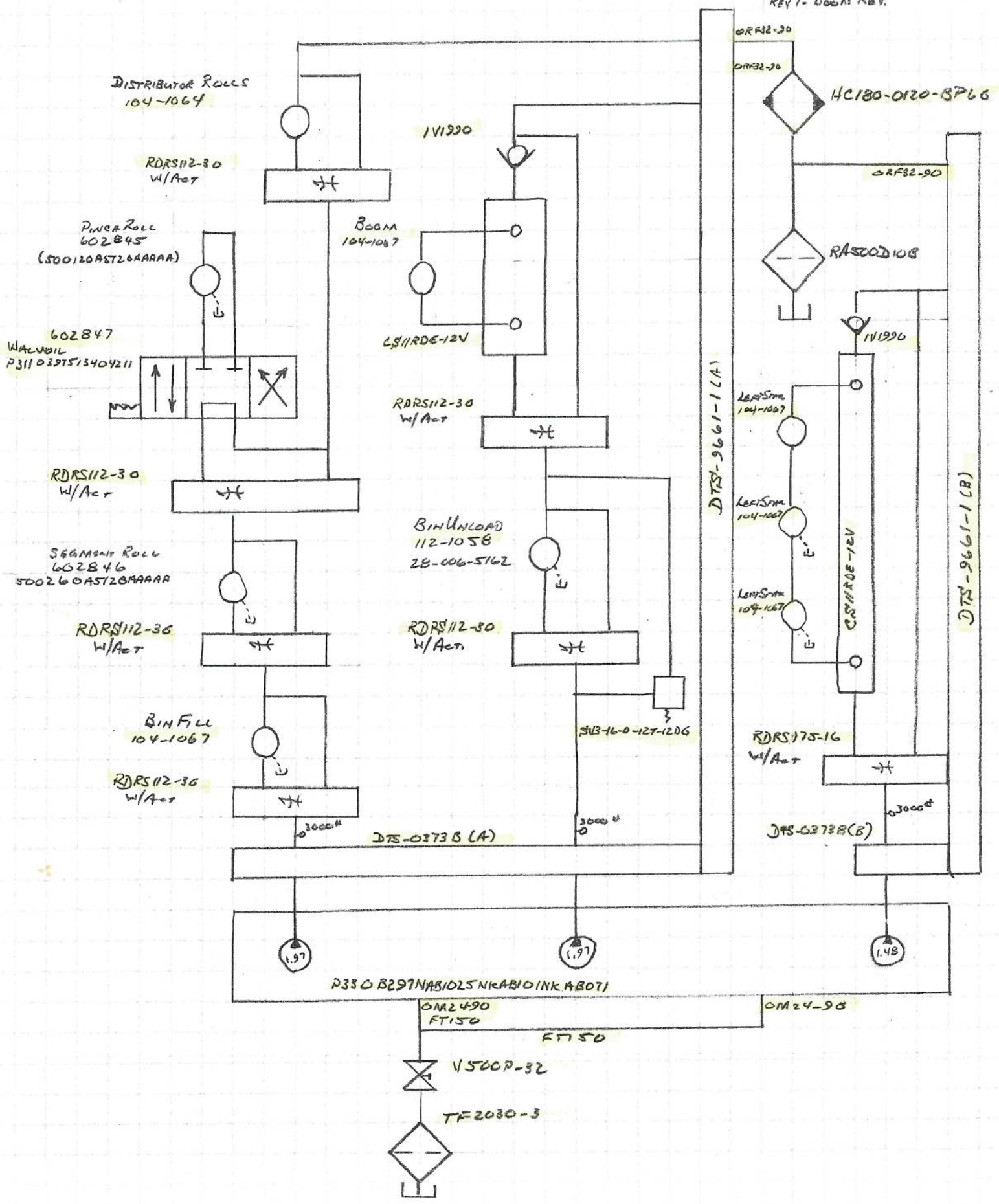
4/28/14 E14075  
 TUPLING FARMS  
 4RSPH6SLAH  
 REV. 1 - CROSS REV.



4/28/84 E14075

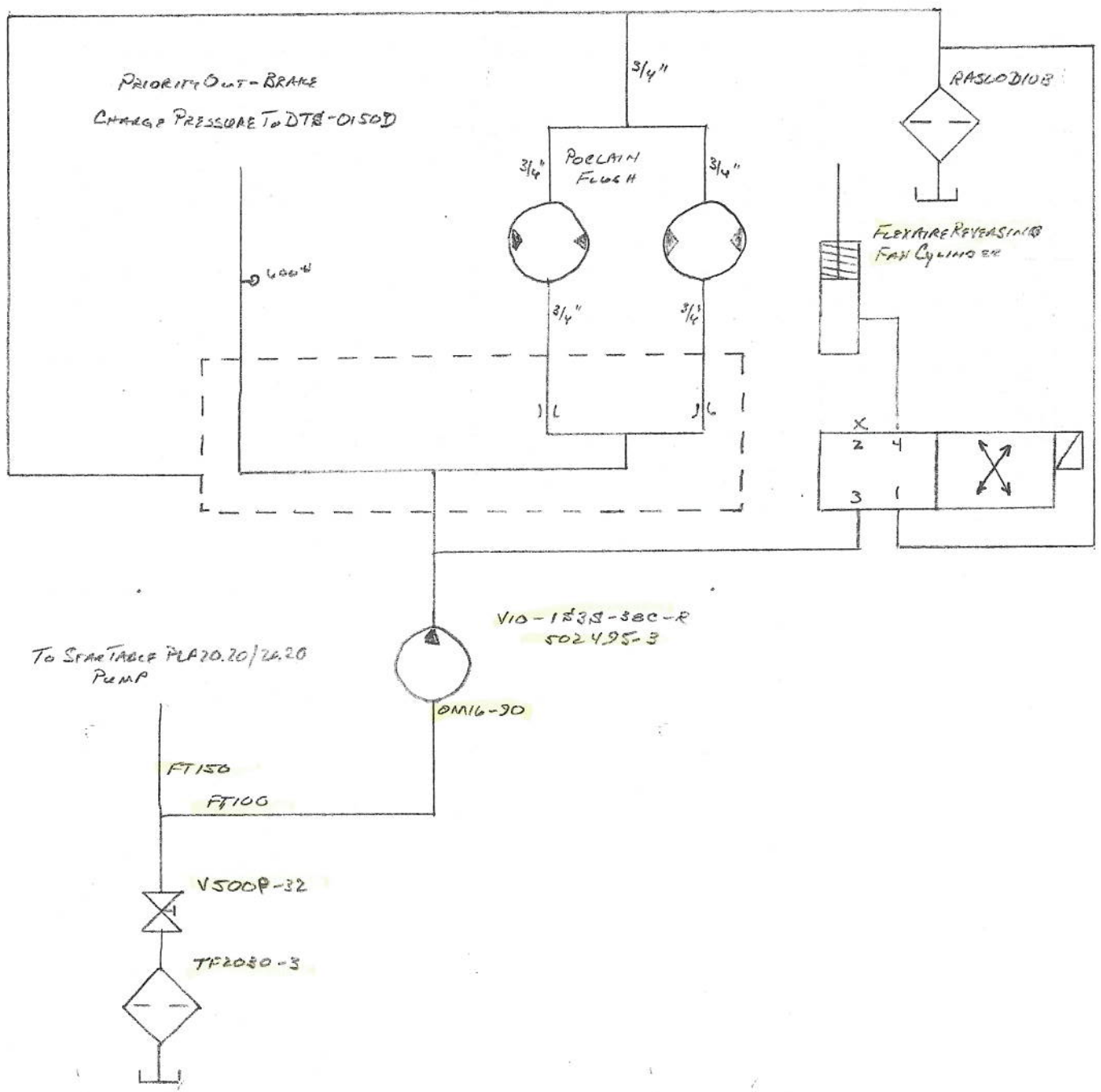
TUPLING FARMS  
4RSPHLSLAH

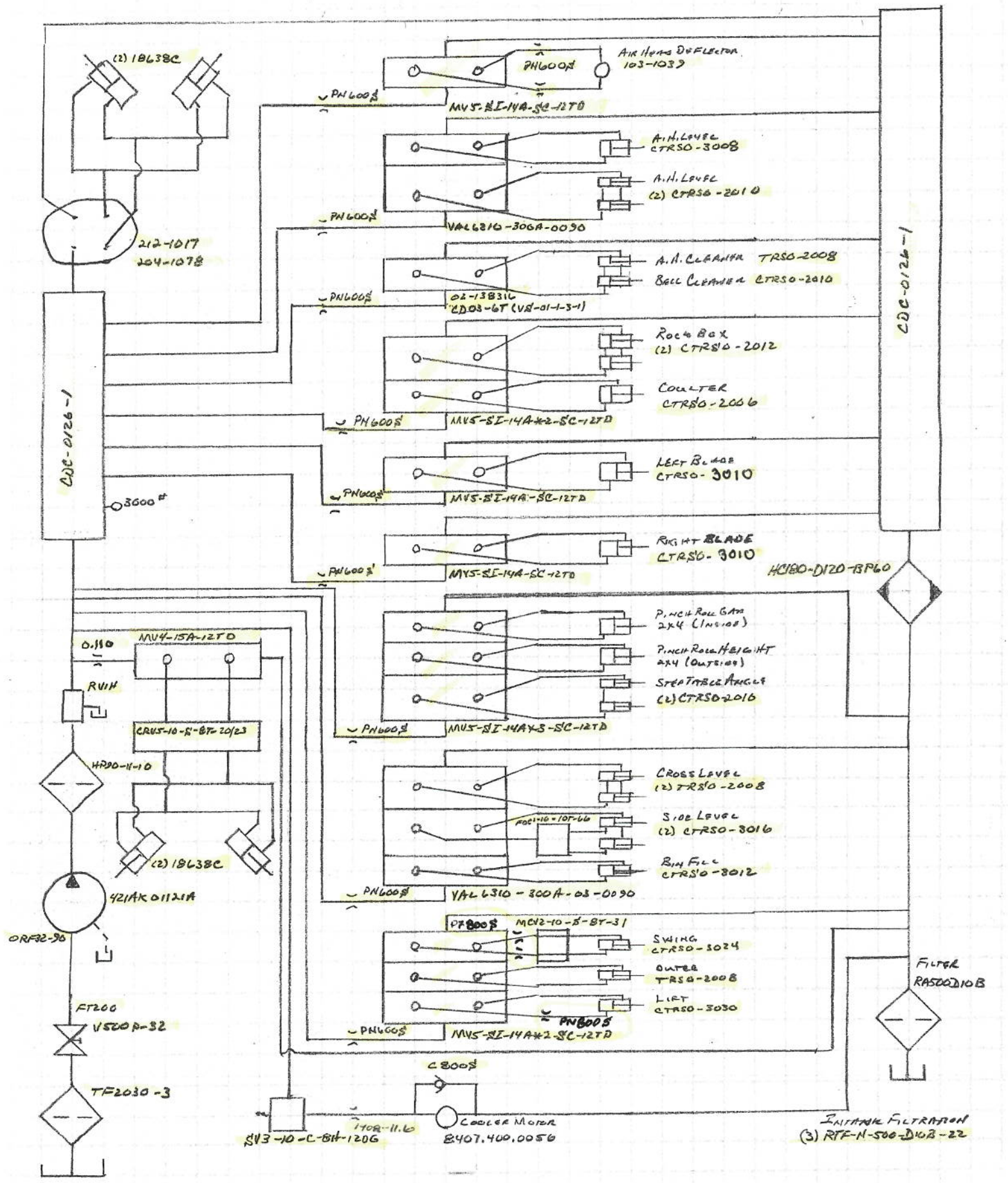
REV 1 - BOOM REV.





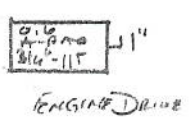
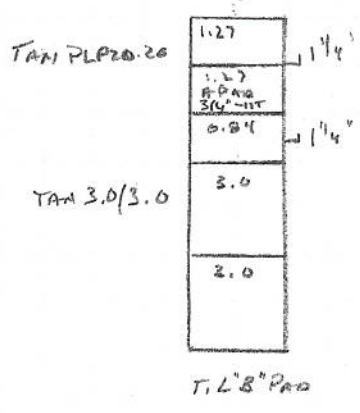
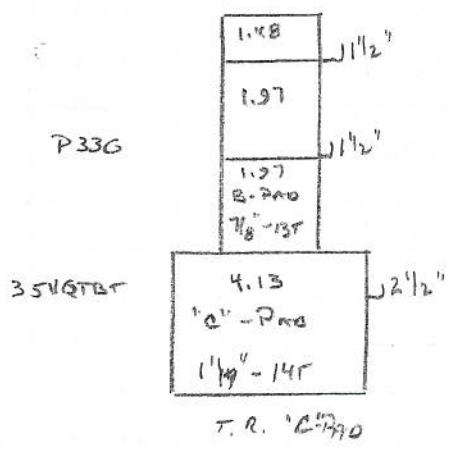
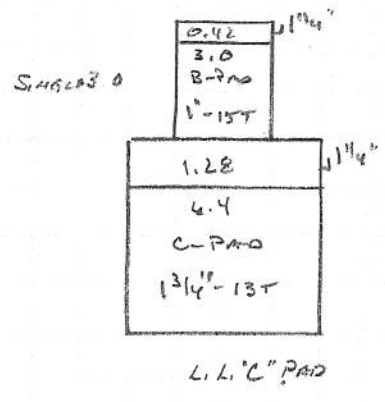
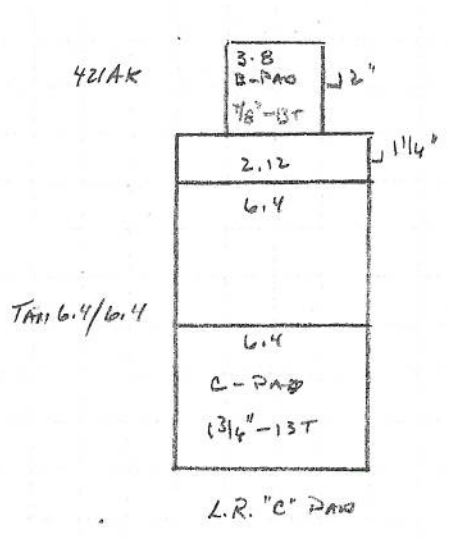
1/13/14  
 214675  
 TUPLING FARMS  
 4RSP466LH





1/14/14 1214075  
TURNING FARMS  
425PH 65LAW

- ④  
TF2540-3  
2 1/2" 90° STEEL  
2 1/2" CUS NIP  
2 BVL20-40B  
FR250  
\* 35VQTB
- ③  
3" X 2" Bush  
2" CUS NIP  
V500P-32  
FR200  
ORF22-30  
±DF225-25-5  
W43-32 Pk  
2" 90° STEEL  
2" CUS NIP  
V500P-32  
2" CUS NIP  
2" TEE X  
X 2" X 1 1/4" Bush  
RT125  
2" 90° STEEL  
2" X 1 1/4" Bush  
FT125  
\* TAN 6.4/6.4 \* 6.4
- ③  
TF2030-3  
2" CUS NIP  
V500P-32  
FR200  
\* 42IAK
- ③  
TF2030-3  
2" 90° STEEL  
2" CUS NIP  
V500P-32  
2" CUS NIP  
2" TEE X  
2" X 1 1/2" Bush  
X FT150  
\* TRIP P330  
2" 90° STEEL  
2" X 1 1/2" Bush  
FT150  
\* TRIP P330
- ③  
TF2030-3  
2" 90° STEEL  
2" CUS NIP  
V500P-32  
2" CUS NIP  
2" TEE X  
X 2" X 1 1/2" Bush  
FT150  
\* TAN PL20.20  
2" 90° STEEL  
2" X 1" Bush  
FT100  
\* V10
- ④  
4" X 2" Bush  
2" 90° STEEL  
2" CUS NIP  
V500P-32  
2" X 1 1/2" Bush  
1 1/2" CUS NIP  
SF150-25-5  
1 1/2" CUS NIP  
2" X 1 1/2" Bush  
V500P-32  
2" CUS NIP  
2" TEE X  
X 2" X 1 1/4" Bush  
1 1/4" - 45° STEEL  
FT125  
\* TAN 3.0/3.0  
~~...~~  
2" X 1 1/4" Bush  
FT125  
\* SINGLE 3.0



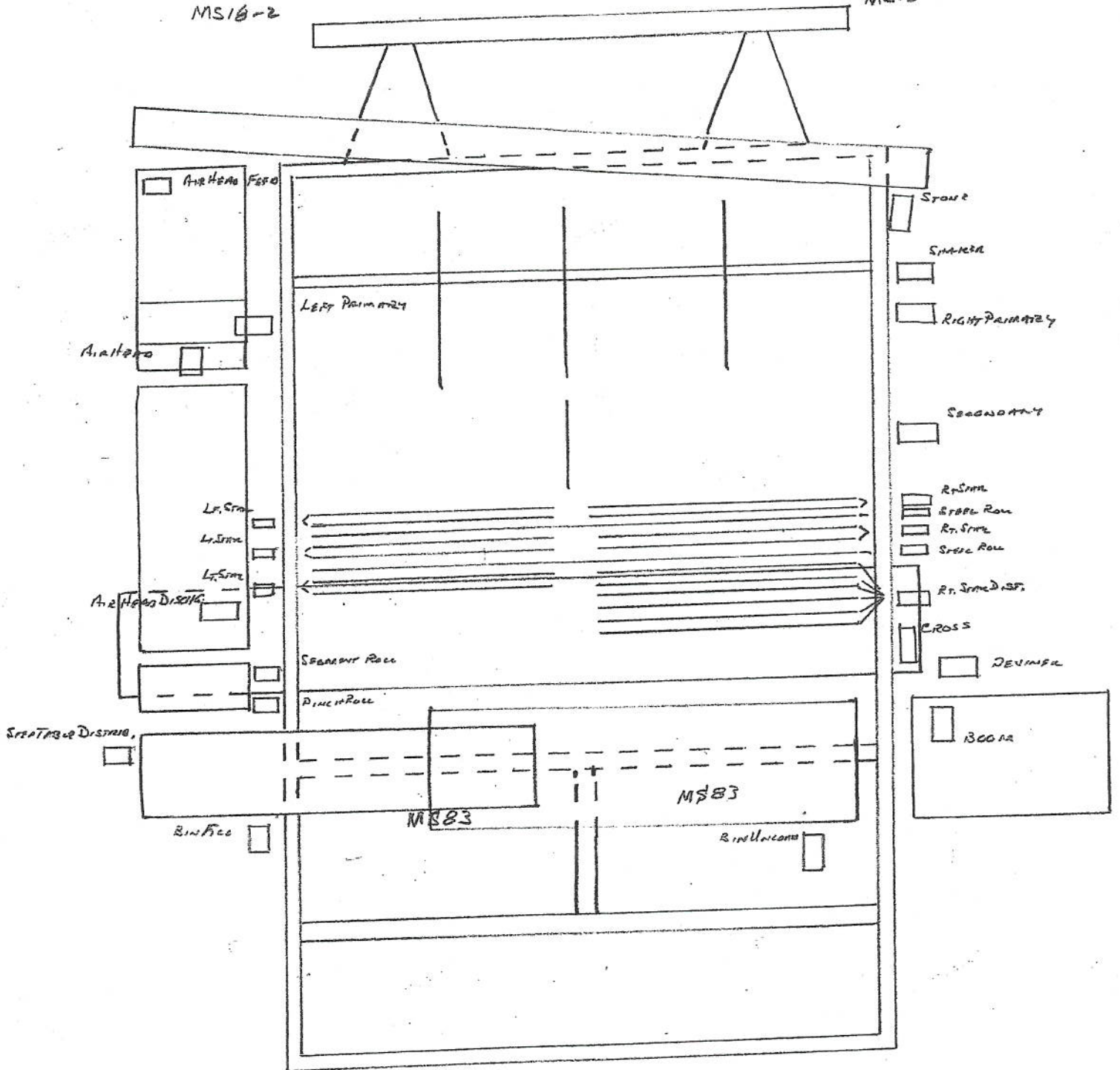
- L.R. TANDEM 6.4 GROUND PAISE
- 42IAK STEERING CIRCUIT
- L.L. SINGLE 6.4 AIR HORN
- SINGLE 3.0 SECONDARY
- T.R. 35VQTB F.O. CROSS
- P330 AIR HORN FEED
- FRONT - BIN FILL
- MID - BIN UNLOAD
- REAR - LEFT SIDE TANK
- T.L. TANDEM 3.0 FRONT - RIGHT PRIMARY
- REAR - LEFT PRIMARY
- TANDEM PL20.20 FRONT - RIGHT SIDE TANK
- REAR - R. SIDE / SIDE REAR
- ENGINE V10 BRAKE CHARGE PRESSURE / FEEDBACK

Duet - D13387  
4PDS-1.20E-NH-BBCH-CCM-CEH-CFH-LE  
TORSION CONTROL 19316  
ENGINE - CUMMINS QSK-15 520 HP

1/14/14  
#14075  
TUALING FARMS  
HRSR#65L44

MS16-2

MS16-2



1/14/14  
 #19075  
 TURNING FRAMES  
 YRSD#6SLA#

MS16-2

MS16-2

