

#03215

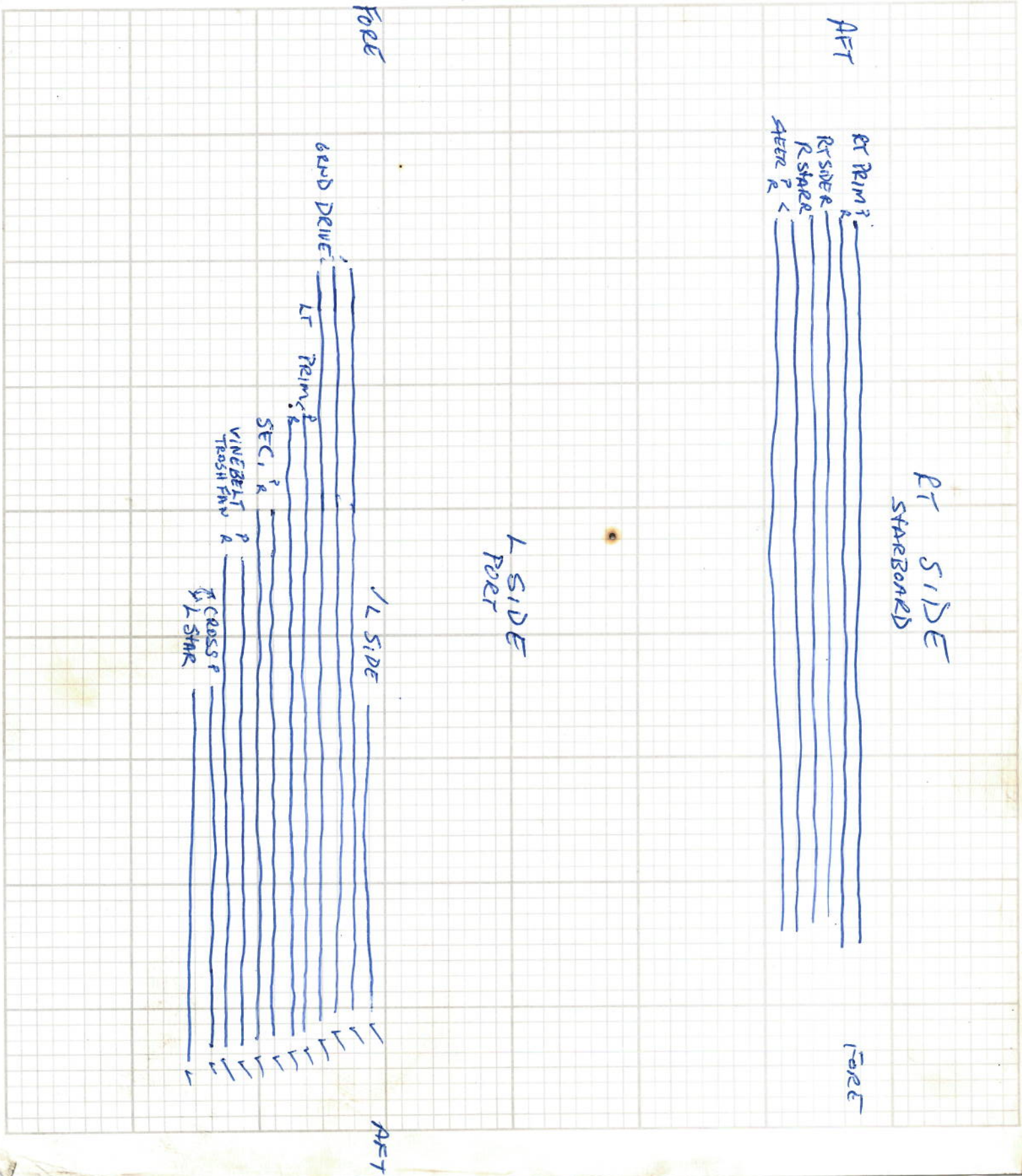
Petersen

GRSPH W/AR

03215 Petersen's 6RSPWA Harvester			
100037	3/8" Steel Line Clamp	90.0000	
100050	1/2" Steel Line Clamp	105.0000	
100062	5/8" Steel Line Clamp	45.0000	
100087	7/8" Steel Line Clamp	60.0000	
100087	7/8" Steel Line Clamp	115.0000	
100100	1" Steel Line Clamp	30.0000	
113120	Hydrazorb Channel	46.3333	
ABAX1000-06	3/8" JIC x 3/8" Tube	28.0000	
ABAX1000-08	1/2" JIC x 1/2" Tube	46.0000	
ABAX1000-10	5/8" JIC x 5/8" Tube	16.0000	
ABAX1000-14-12	3/4" JIC x 7/8" Tube	52.0000	
ABAX1000-16	1" JIC x 1" Tube	4.0000	
BAX1200 06	3/8" Tube Union	14.0000	
BAX1200 08	1/2" Tube Union	8.0000	
BAX1200 10	5/8" Tube Union	4.0000	
BAX1200 14	7/8" Tube Union	16.0000	
BAX1200 16	1" Tube Union	6.0000	
BAX3100 08	1/2" NPT x 1/2" Tube Tee	9.0000	
BAX3100 14	3/4" NPT x 7/8" Tube Tee	4.0000	
EMT050	1/2" EMT Conduit	142.3333	
EMT075	3/4" EMT Conduit	106.4200	
HYDTB 06	3/8" Hydraulic Tubing	219.4200	
HYDTB 08	1/2" Hydraulic Tubing	278.4600	
HYDTB 10	5/8" Hydraulic Tubing	69.9200	
HYDTB 14	7/8" Hydraulic Tubing	497.2500	
HYDTB 14H	7/8" High Pressure Hydraulic T	25.9200	
HYDTB 16	1" Hydraulic Tubing	93.0000	

03215

OVER 50 LOCATIONS THROUGHOUT NORTH AMERICA TO BETTER SERVE OUR CUSTOMERS



03215

OVER 50 LOCATIONS THROUGHOUT NORTH AMERICA TO BETTER SERVE OUR CUSTOMERS

373

FLOW DIVIDER	VINEBELT
TRIPLE	CROSS
TRIPLE	L SIDE ✓
TRIPLE	L STAR

4208

FLOW DIVIDER BIN FILL

MANUFACTURING ORDER FORM CHANGES

CUSTOMER PETERSON
MACHINE 6 ROW
SERIAL NO 3215
DATE 6/27/2003

ASKED FOR BY RON OK BY RANDAL

CHANGES DETAILS TO BE SURE THEY ARE IN PLACE

- 1 CAB MOUNTED ON A 45 DEGREE
- 2 BE SURE THERE IS A HITCH ON THE BACK
- 3 WOULD LIKE NEW CLUTCH VALVE IF POSSIBLE
- 4 NOSE ROLLERS MUST BE R39HGGB2
- 5 4 INCH CYK ON BULK LOADER
- 6 BULKLOADER LONG ENOUGH TO DELIVER TO THE GROUND
AND FILL A TRUCK AT 12.5 FEET
- 7 INSTALL NEW STYLE WINGS ON THE BIN TO BULKLOADER
DELIVERY

LENCO WEST, INC.

121 N. Broadway St. ; Monte Vista, CO 81144

Phone: 719-852-0299 FAX: 719-852-5263

FAX

To: Randal
FAX number: _____
Attention: _____
From: Ron
Date: 6-25-03
Pages including cover sheet: 1

Peterson 6 Row HARVESTER:CAB needs to be mounted on a 45° AnglePull Hitch on the backwould like to have the new clutch valve systemnew Brake charge systemR 39 HGG B2 nose RollersLarge Ram on cylinder LIFT FOR Bulk LoaderBulk Loader needs to deliver to the ground for opening andfill Trucks to a loaded height of 12 1/2 feet.Rear cross extentions to guide potatoes onto bulk Loaderneed to be built so potatoes don't scrape under extentions whenyou move the bulk loader forward top loading a truck.

8/22/03

03215

PETERSEN SEGO FARM

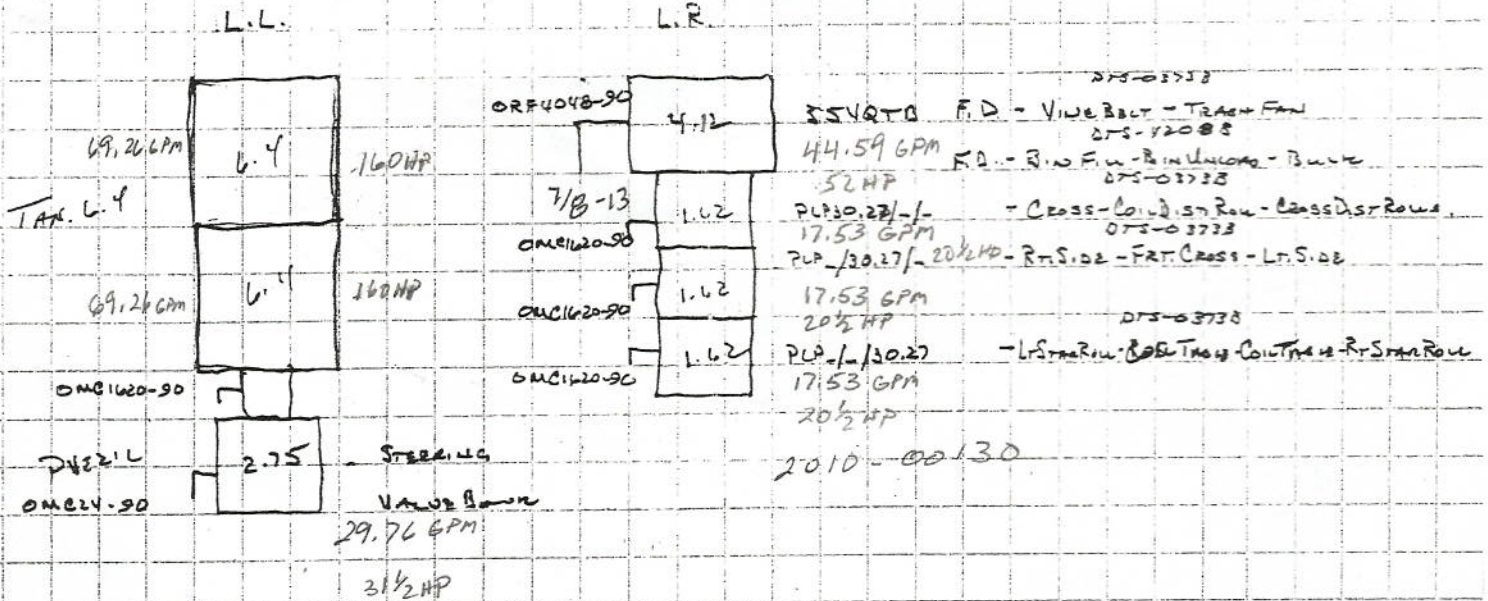
WRPH-WA# / TANK

V10-1978-38CR

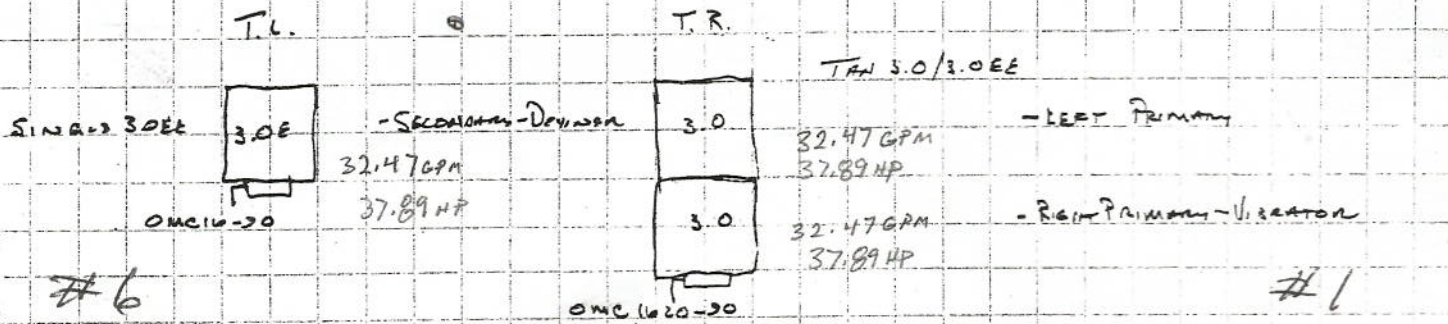
OMC16-90 - BRANCH CHARGE PRESSURE

CRS

V-101P7P38C20



2010-00130



#6

#1

- | | | | | |
|------------------|----------------------|--------------------|------------------------|------------------------|
| ④ | ③ | ③ | ③ | ④ |
| 4'x3" Bush | 3'x2" Bush | 3'x2" Bush | TF2030-3 | TF2010-3 |
| TF2030-3 | 2" Cus Nip | 2" Cus Nip | 2" Cus Nip | 2" Cus Nip |
| 2" Cus Nip | V500P-32 | 2" x 1 1/2" Bush | V500P-32 | V500P-32 |
| V500P-32 | 2" x 1 1/2" Bush | 1 1/2" Cus Nip | 2" Tee | 2" Tee |
| 2" x 1 1/2" Bush | 1 1/2" Cus Nip | 2" x 1 1/4" Bush | x 2" x 1 1/4" Bush | x 2" x 1 1/4" Bush |
| FT150 | SF150-25-5 | 2" Tee | FT125 | FT125 |
| * PNEZIL | 1 1/2" Cus Nip | x 2" x 1 1/4" Bush | * PLP30.27/30.27/30.27 | * PLP30.27/30.27/30.27 |
| | V500P-24 | * TAN 3.0/3.0EE | o 2" 90° STEEL | o 2" 90° STEEL |
| | 1 1/2" x 1 1/4" Bush | o 2" 90° STEEL | 2" x 1" Bush | 2" x 1 1/4" Bush |
| | FT125 | 2" x 1" Bush | FT100 | FT125 |
| * TANDEM 6.4/6.4 | * SINGLE 3.0EE | * V10 | | |

304.50 GPM

4" FWM
 TF2540-3
 2 1/2" 90 ST EL
 2 1/2" CLS NIP
 2 BVL20-40B
 FT 250
 35VQTBS
 4" x 2" BUSH
 2" CLS NIP
 V500P-32
 2" x 1 1/2" BUSH
 1 1/2" CLS NIP
 SF150-25-5
 1 1/2" CLS NIP
 V500P-24
 1 1/2"x 1 1/4" BUSH
 FT 125
 4.6 HYDRO

3" FWM
 TF 2030-3
 2" CLS NIP
 V500P-32
 2" CLS NIP
 2" TEE
 2"x1 1/4" BUSH
 FT 125
 PLP 30.27
 2" 90 ST EL
 2"x 1 1/4" BUSH
 FT 125
 PLP 30.27

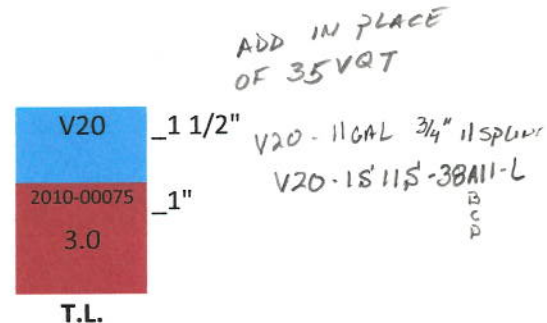
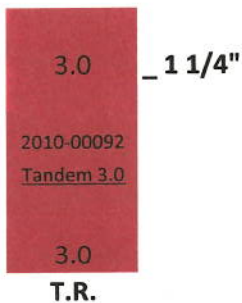
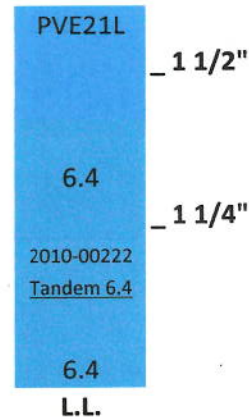
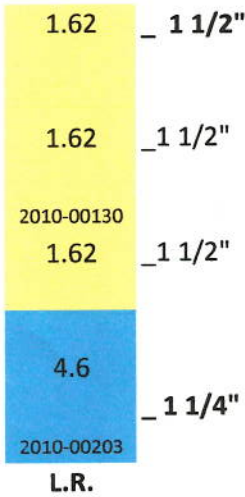
3" FWM
 TF2030-3
 2" CLS NIP
 V500P-32
 2" 90 ST EL
 2" TEE
 2 x 1 1/4" BUSH
 FT 125
 PLP 30.27
 2" 90 ST EL
 2"x 1" BUSH
 FT 100
 V10

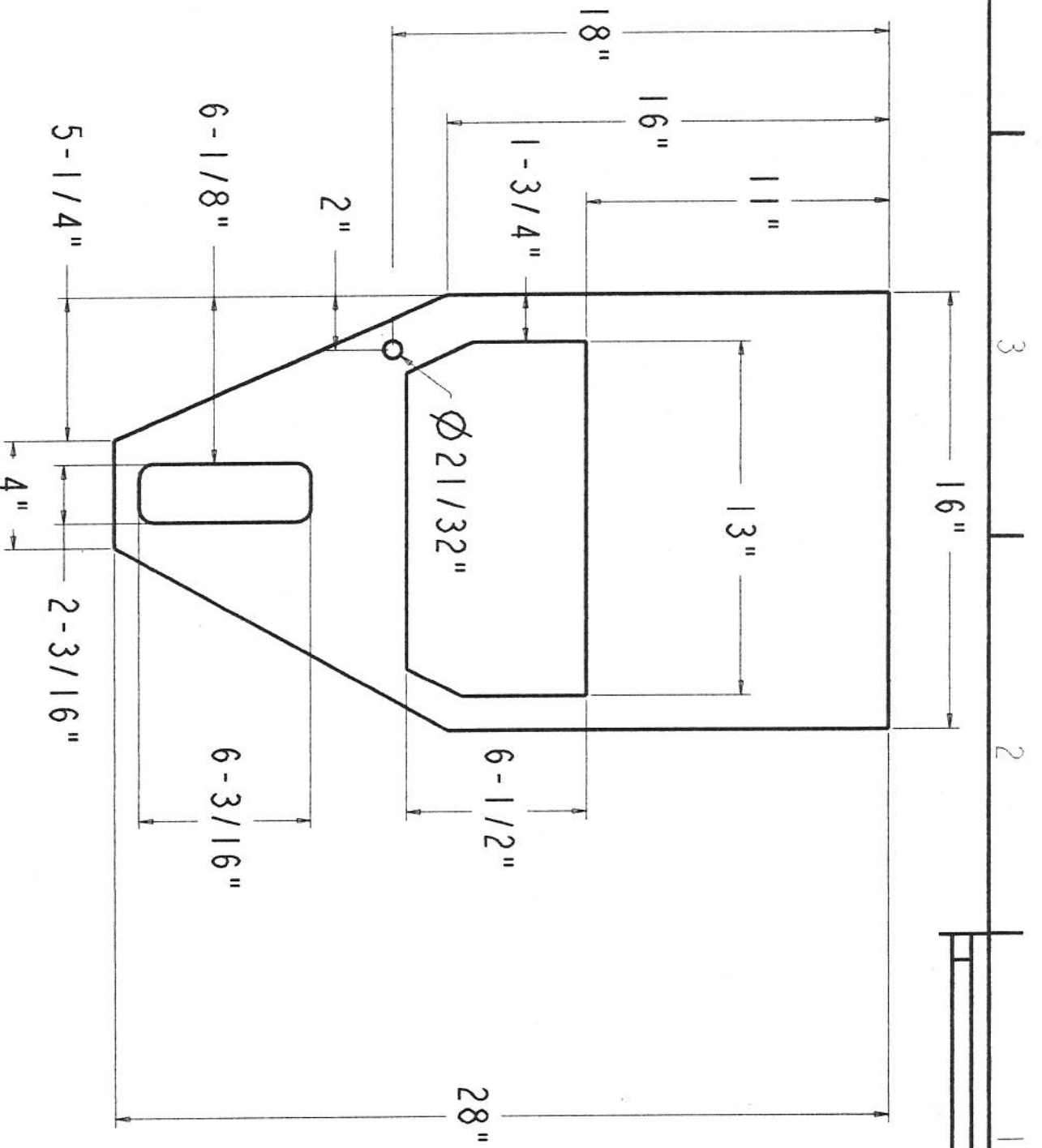
3"x 2" BUSH
 2" CLS NIP
 V500-P32
 2" x 1 1/2" BUSH
 1 1/2" CLS NIP
 SF150-25-5
 1 1/2" CLS NIP
 2"x 1 1/2" BUSH
 V500-P32
 2" CLS NIP
 2" TEE
 2"x 1 1/4" BUSH
 FT 125
 TANDEM 3.0
 2" 90 ST EL
 2"x 1" BUSH
 FT 100
 SINGLE 3.0

3" x 2" BUSH
 2" CLS NIP
 V500P-32
 2" x 1 1/2" BUSH
 1 1/2" CLS NIP
 SF150-25-5
 1 1/2" CLS NIP
 V500P-24
 1 1/2" x 1 1/4" BUSH
 FT 125
 TANDEM 6.4

4"x3" BUSH
 TF2030-3
 2" CLS NIP
 V500P-32
 2"x1 1/2" BUSH
 FT 150
 PVE 21L
 2" CLS NIP
 2" TEE
 FT 150
 PVE 21L
 2" 90 ST EL
 2" x 1 1/2" BUSH
 FT 150
 V20

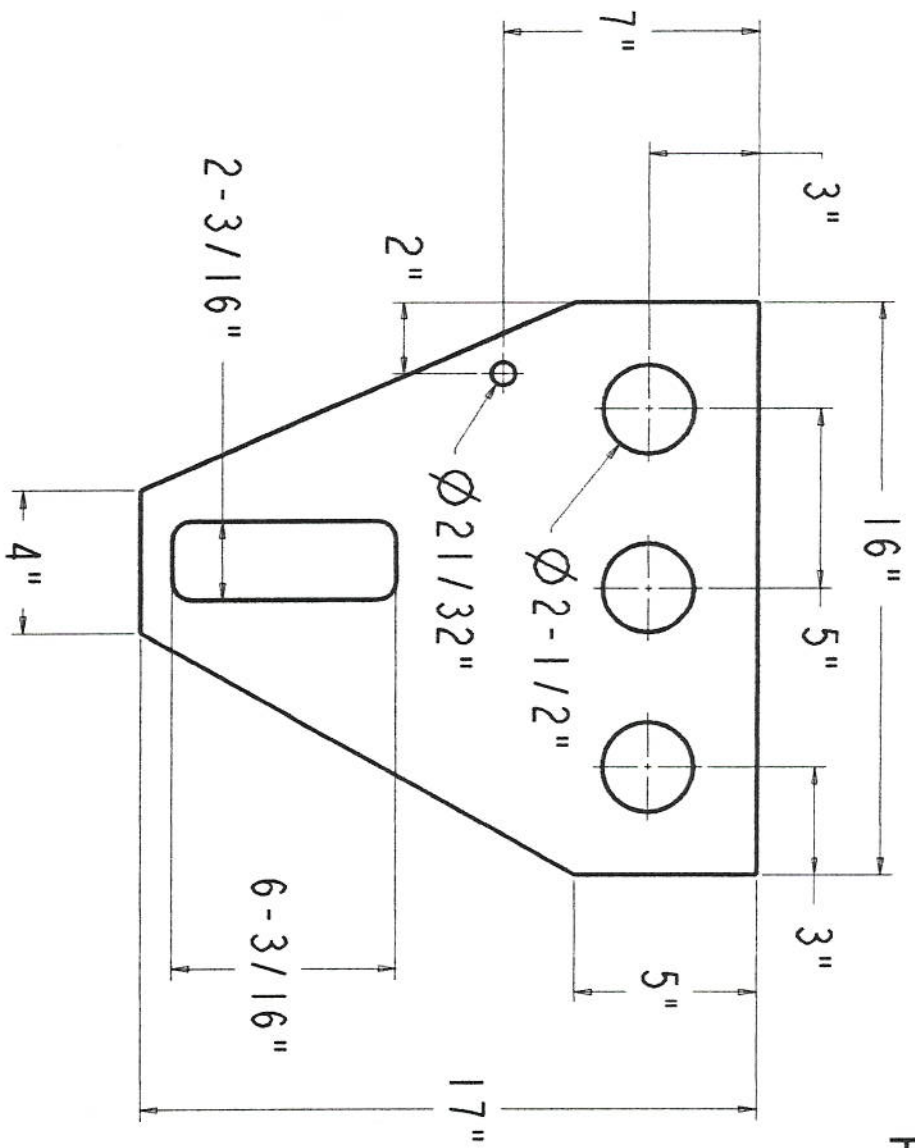
ADD IN PLACE
 OF 35VQT





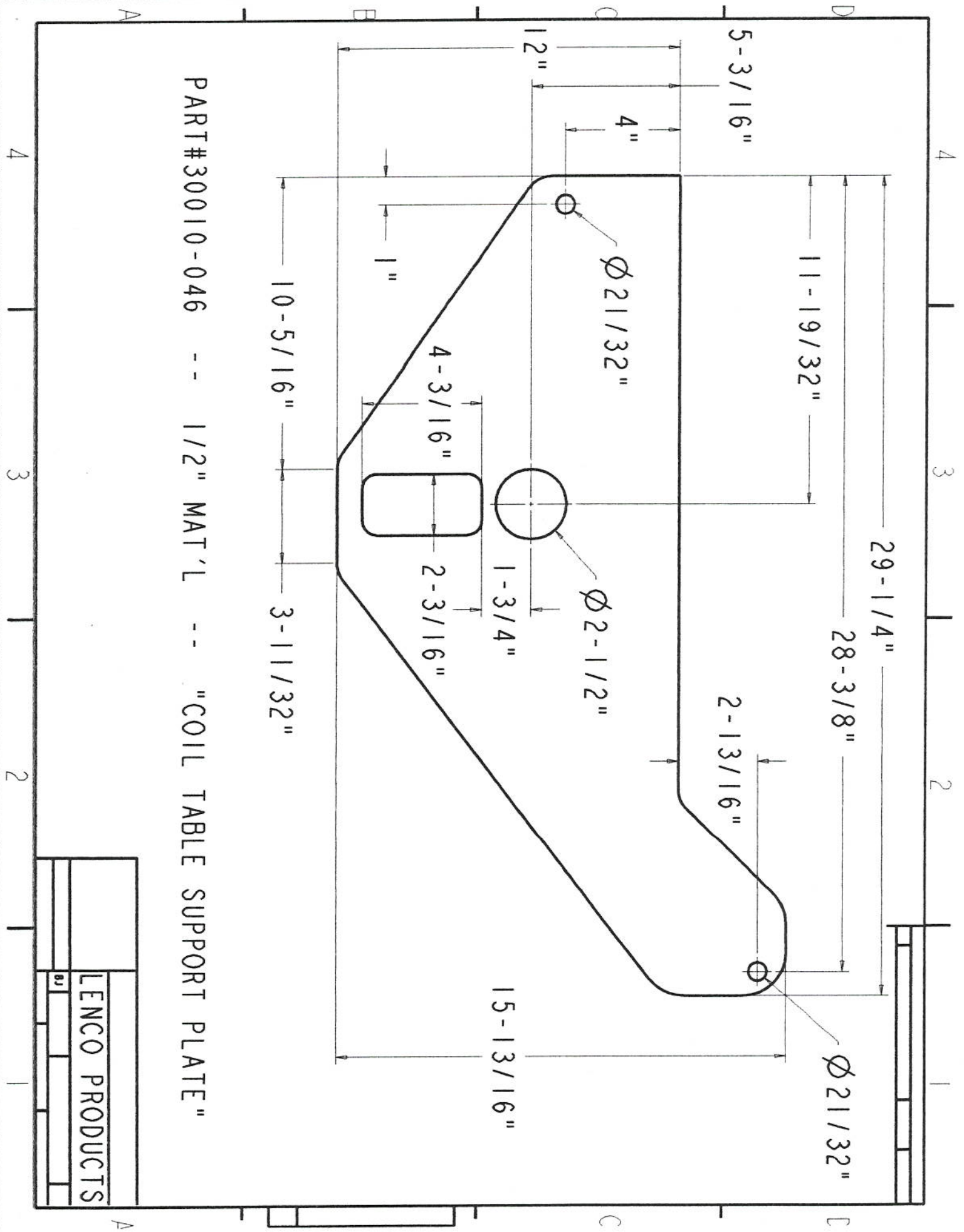
PART#30058-032 -- 1/2" MAT'L -- "DIST STAR
 PLATE - OUTSIDE"

LENCO PRODUCTS	
bu	



PART#30059-032 -- 1/2" MAT'L -- "DIST STAR PLATE -
 INSIDE"

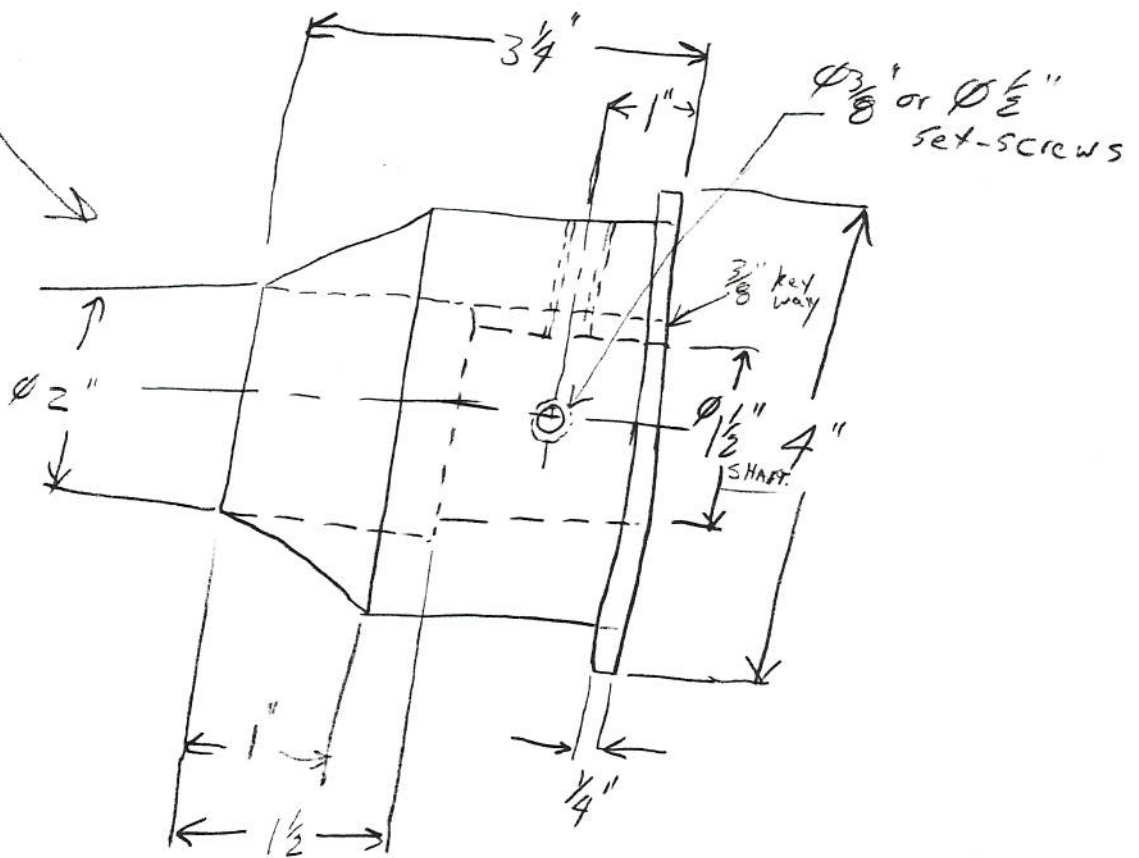
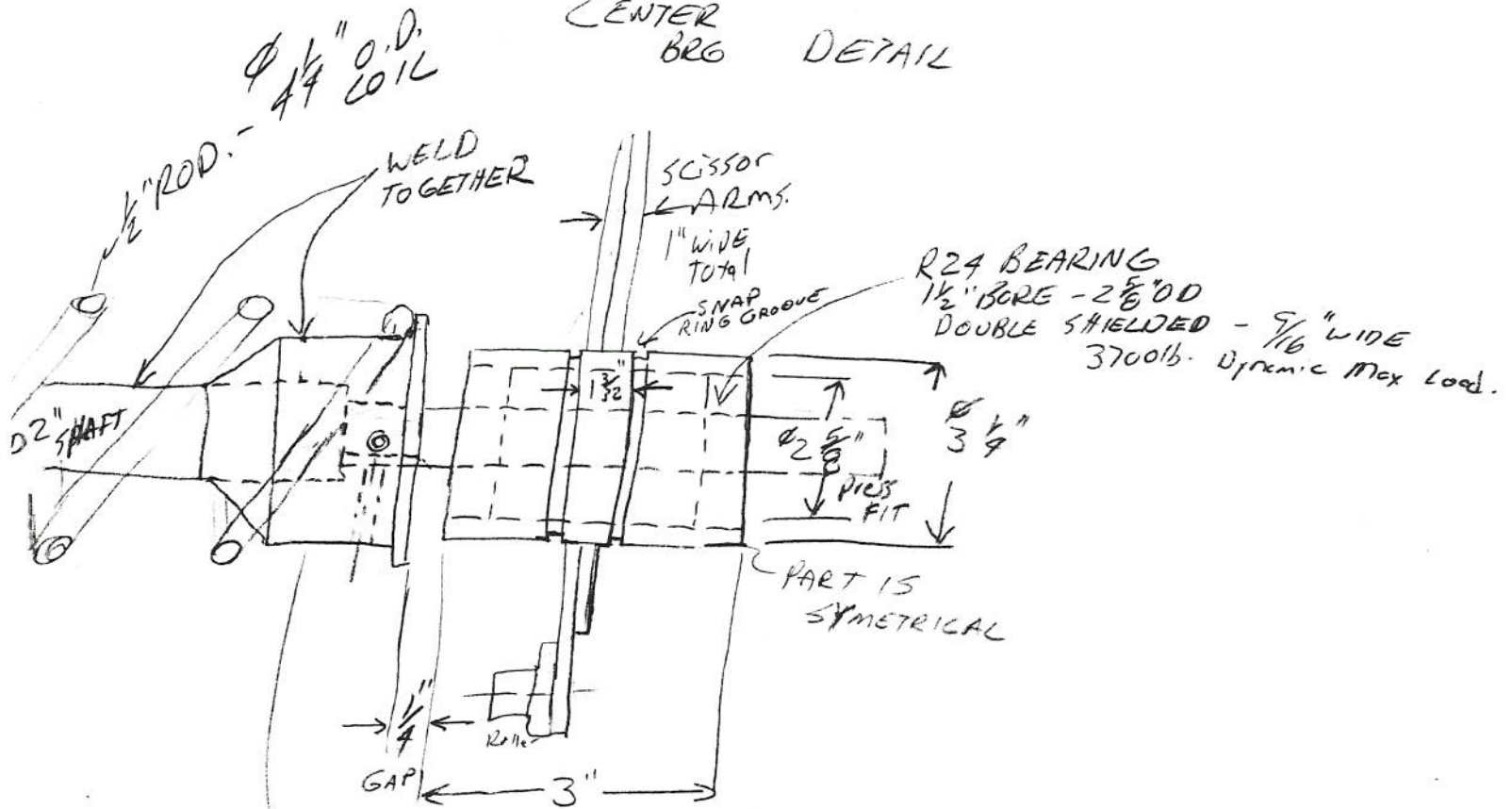
LENCO PRODUCTS	
81	

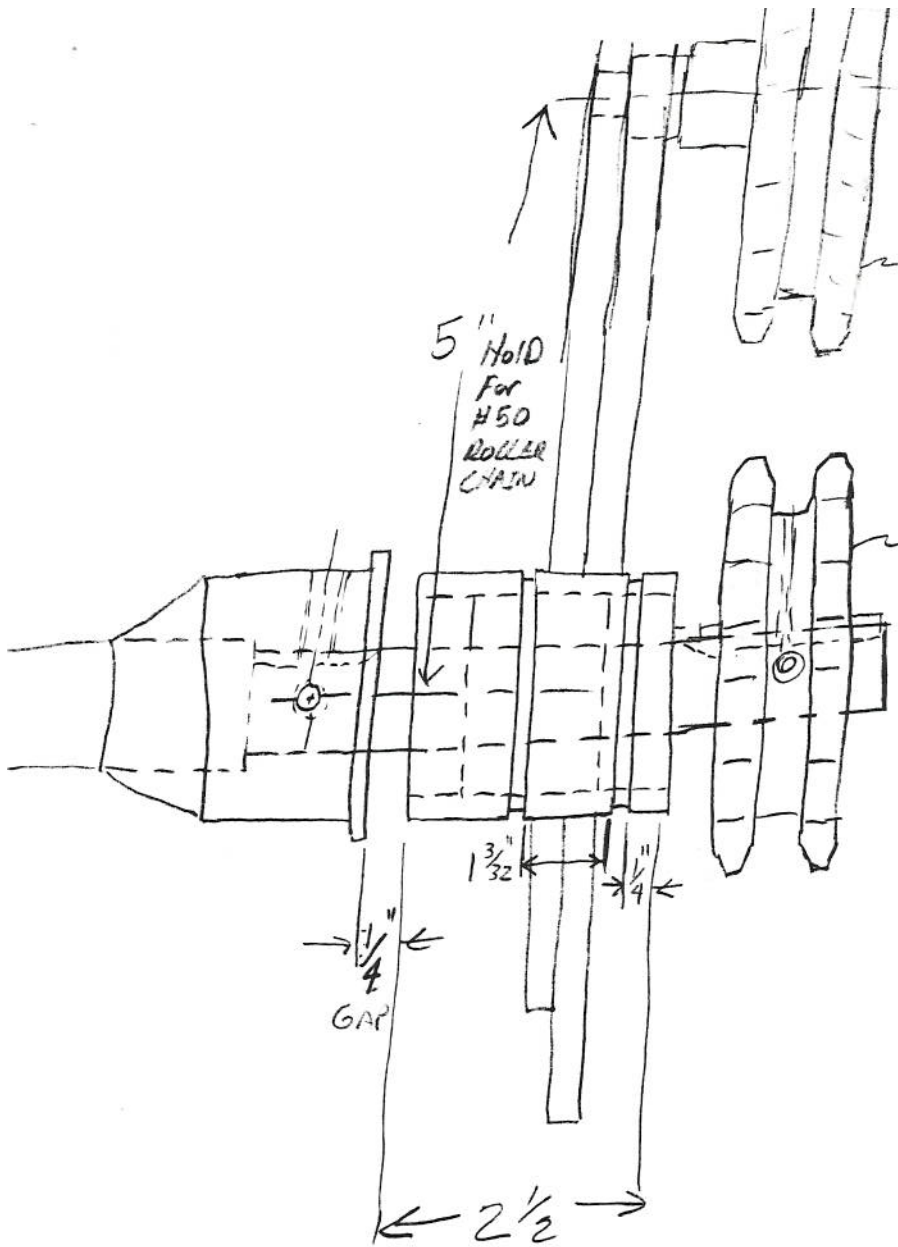


PART#30010-046 -- 1/2" MAT'L -- "COIL TABLE SUPPORT PLATE"

LENCO PRODUCTS	
BU	

CENTER BRG DETAIL





(Possibly STACK (2) - 50 B B 17 H
IDLERS TOGETHER)

Double
IDLER
17 TOOTH #50

5" HOLD
FOR
#50
ROLLER
CHAIN

O 50 B 17 H
1 1/2" BORE

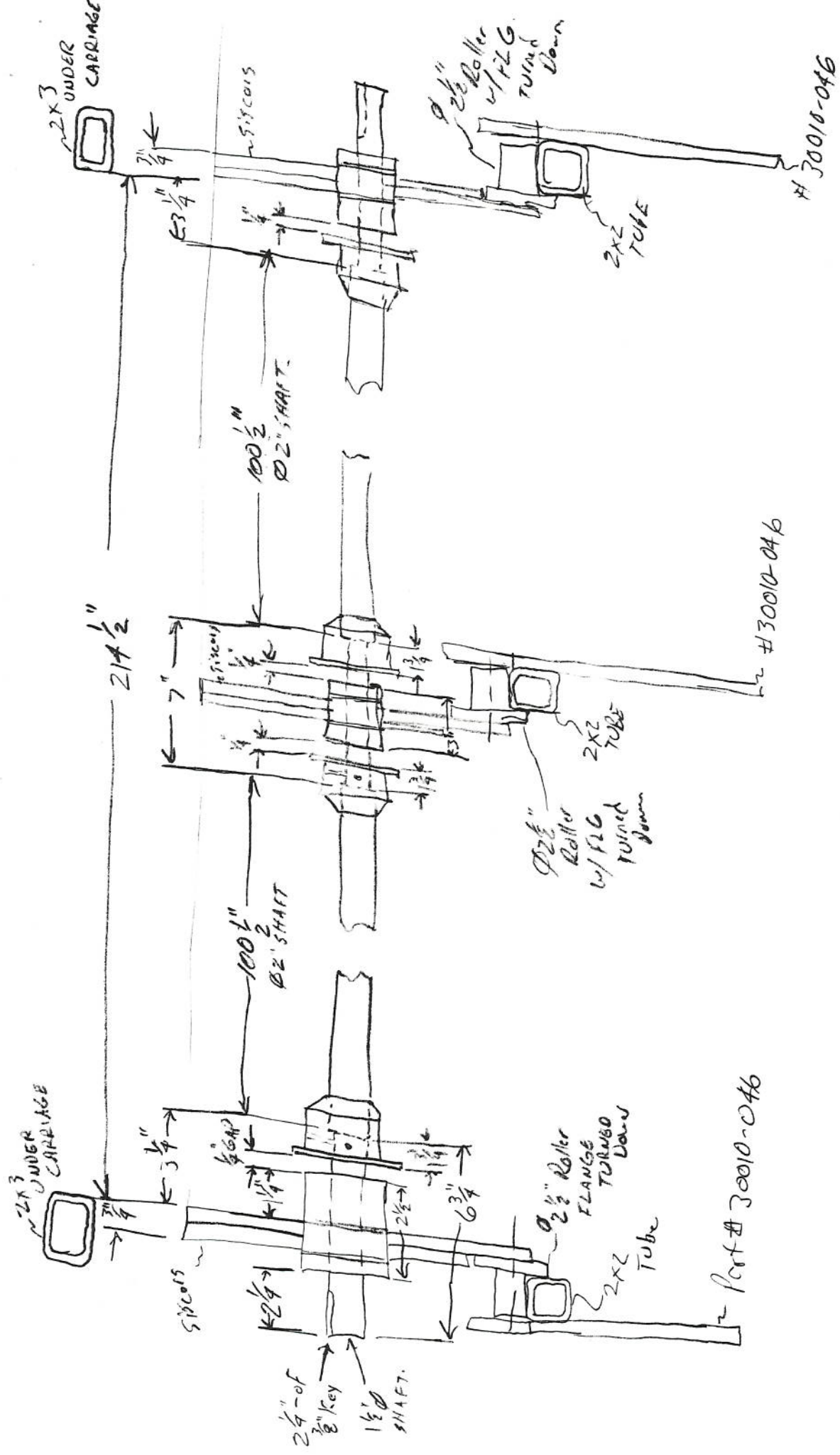
#50 - Roller
Chain - 43 LINKS

3/32" 1/4"

1/4" GAP

2 1/2"

OUTSIDE DRIVE +
B R 6 DETAIL.



Coil TABLE
SHAFT layout.

Part # 30010-046

#30010-046

#30010-046

2X3 UNDER CARRIAGE

2X3 UNDER CARRIAGE

2 1/4" of 3/8" Key

1 1/2" SHAFT

Sprockets

100 1/2" Ø 2" SHAFT

100 1/2" Ø 2" SHAFT

~5 sprockets

2 1/4"

3/8" Key

1 1/2" SHAFT

6 3/4"

2 1/2"

1 1/4"

1 1/4"

1 1/4"

1 1/4"

1 1/4"

1 1/4"

1 1/4"

1 1/4"

1 1/4"

1 1/4"

1 1/4"

1 1/4"

1 1/4"

2 1/2"

7"

1 1/4"

1 1/4"

1 1/4"

1 1/4"

1 1/4"

1 1/4"

1 1/4"

1 1/4"

1 1/4"

1 1/4"

1 1/4"

1 1/4"

1 1/4"

1 1/4"

1 1/4"

1 1/4"

1 1/4"

1 1/4"

1 1/4"

1 1/4"

1 1/4"

Ø 2 1/2" Roller w/ FLG TURNED Down

2X2 TUBE

2X2 TUBE

2X2 TUBE

2X2 TUBE

2X2 TUBE

2X2 TUBE

2X2 TUBE

2X2 TUBE

2X2 TUBE

2X2 TUBE

2X2 TUBE

2X2 TUBE

2X2 TUBE

Ø 2 1/2" Roller FLANGE TURNED Down

2X2 TUBE

2X2 TUBE

2X2 TUBE

2X2 TUBE

2X2 TUBE

2X2 TUBE

2X2 TUBE

2X2 TUBE

2X2 TUBE

2X2 TUBE

2X2 TUBE

2X2 TUBE

2X2 TUBE

Ø 2 1/2" Roller w/ FLG TURNED Down

2X2 TUBE

2X2 TUBE

2X2 TUBE

2X2 TUBE

2X2 TUBE

2X2 TUBE

2X2 TUBE

2X2 TUBE

2X2 TUBE

2X2 TUBE

2X2 TUBE

2X2 TUBE

2X2 TUBE

2X2 TUBE

2X2 TUBE

3 1/4"

6 3/4"

1 1/4"

1 1/4"

1 1/4"

1 1/4"

1 1/4"

1 1/4"

1 1/4"

1 1/4"

1 1/4"

1 1/4"

1 1/4"

1 1/4"

1 1/4"

1 1/4"

1 1/4"

1 1/4"

1 1/4"

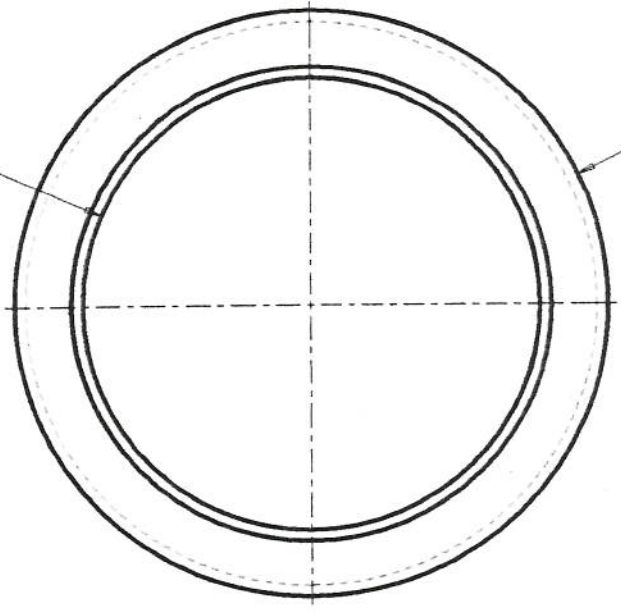
1 1/4"

1 1/4"

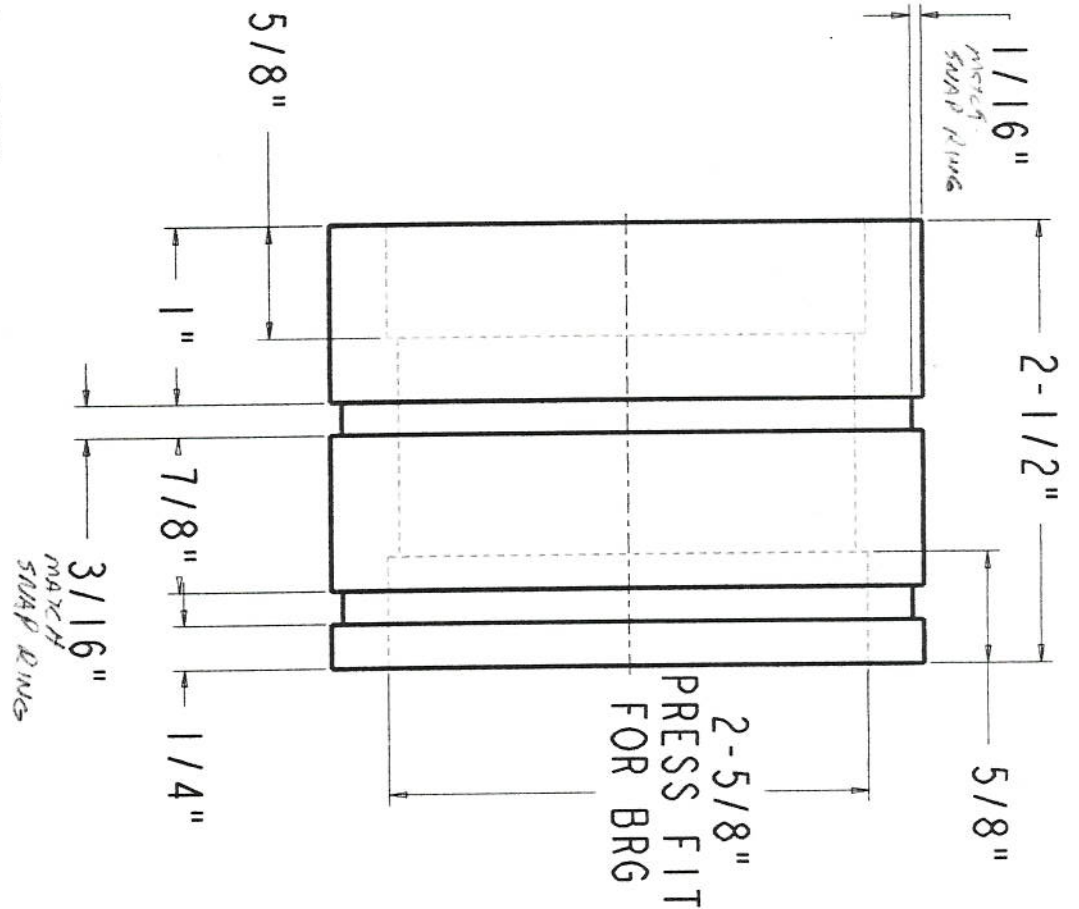
1 1/4"

$\varnothing 1-1/2"$ BORE SEALED
 BRG - #R24
 $2-5/8"$ OD - $9/16"$ WIDE
 DOUBLE SHIELDED

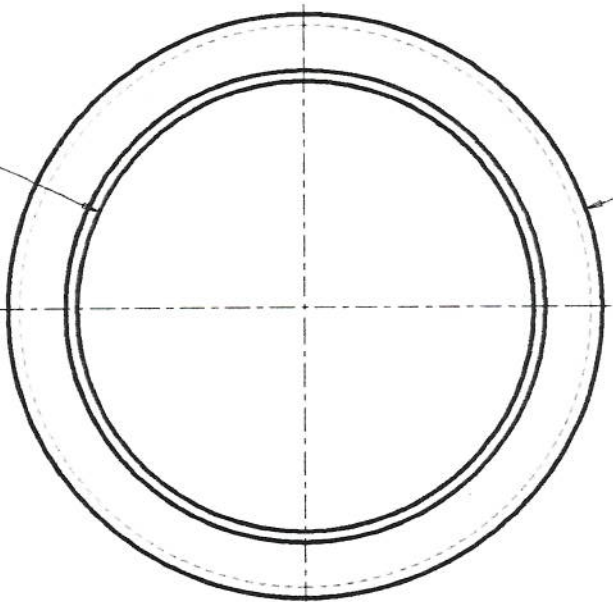
$\varnothing 2-1/2"$ ID



PART#3 -046 -- 3-1/4"-2-1/2" DOM --
 "OUTSIDE BRG HOLDER - PETERSON'S COIL TABLE"



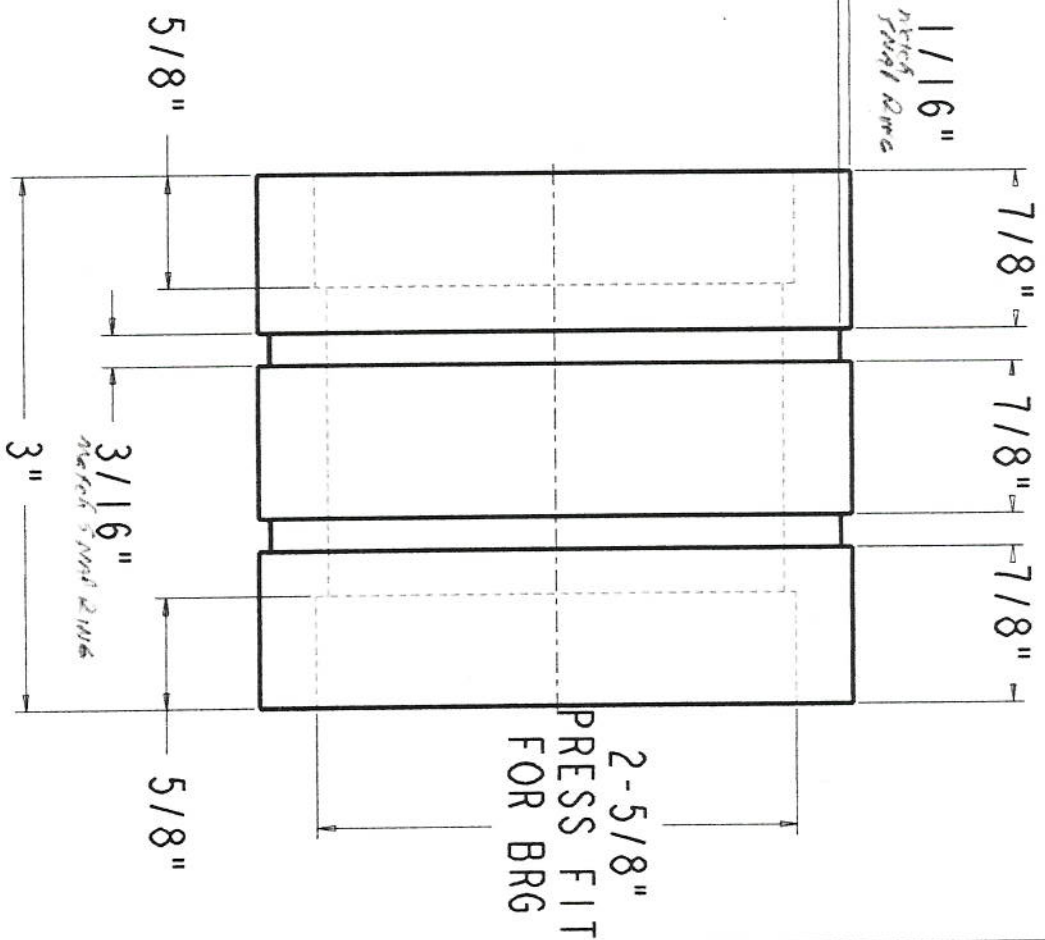
LENCO PRODUCTS	
bu	



Ø1-1/2" BORE SEALED
 BRG - #R24
 2-5/8" OD - 9/16" WIDE
 DOUBLE SHIELDED

Ø2-1/2" ID

1/16"
 neck
 chamfer

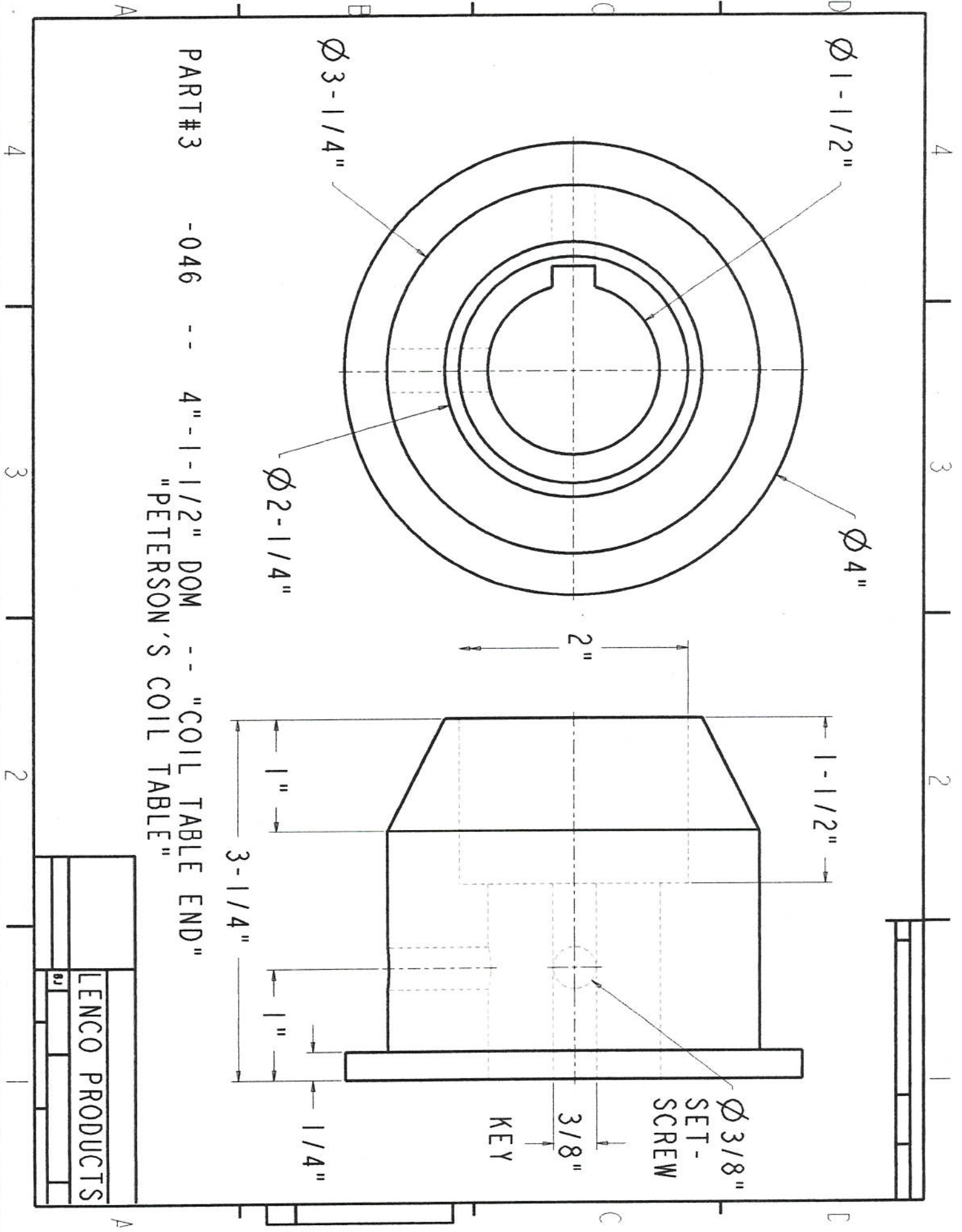


2-5/8"
 PRESS FIT
 FOR BRG

PART#3
 -046 -- 3-1/4" - 2-1/2" DOM - "INSIDE BRG HOLDER"
 "PETERSON'S COIL TABLE"

LENCO PRODUCTS

4 3 2



PART#3 -046 -- 4"-1-1/2" DOM -- "COIL TABLE END"
 "PETERSON'S COIL TABLE"

LENCO PRODUCTS	
01	

$\varnothing 1-1/2''$

$\varnothing 4''$

$\varnothing 3-1/4''$

$\varnothing 2-1/4''$

2"

1-1/2"

3-1/4"

$\varnothing 3/8''$
SET-SCREW

3/8"

KEY

1/4"

A

B

C

D

4

3

2

4

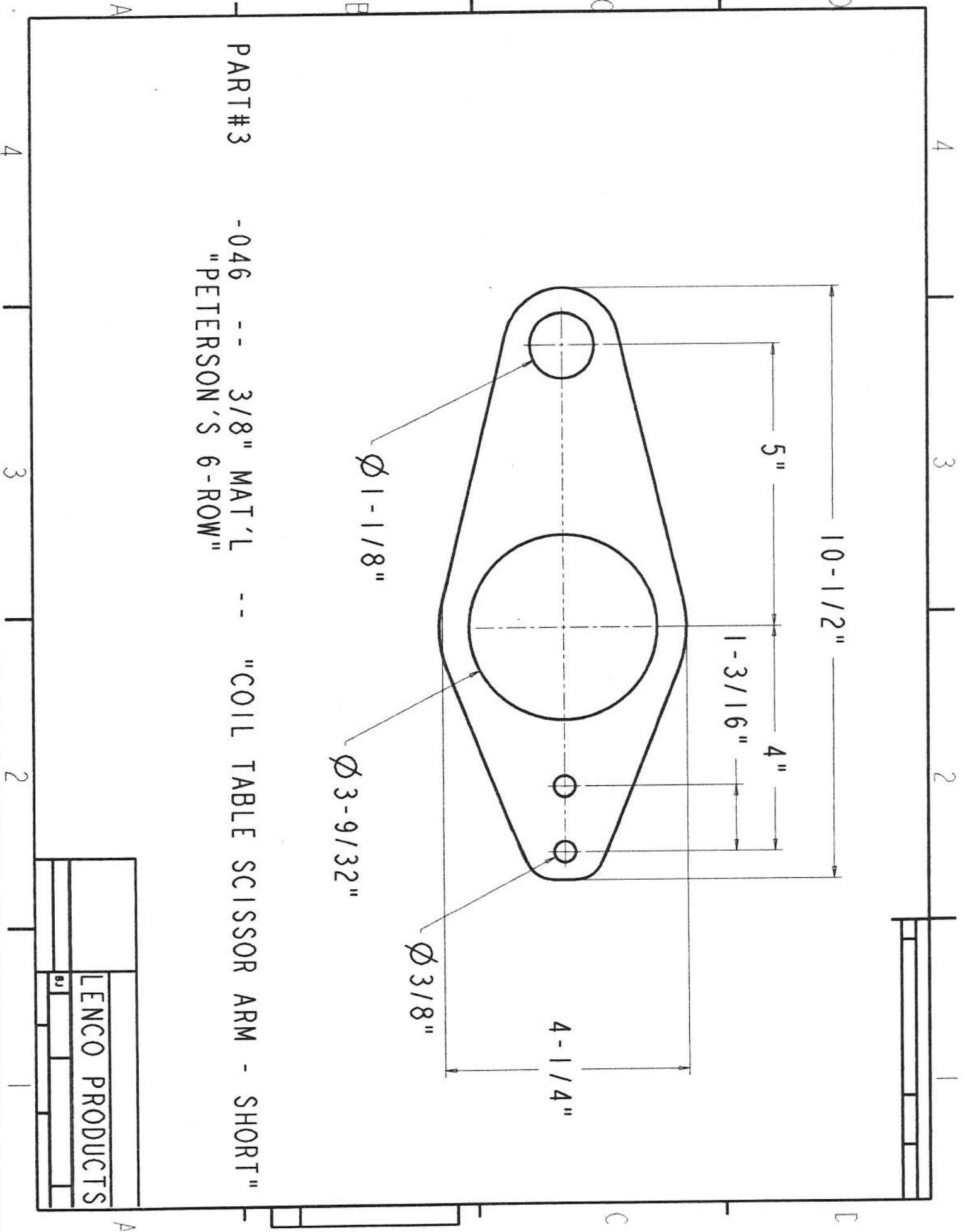
3

2

A

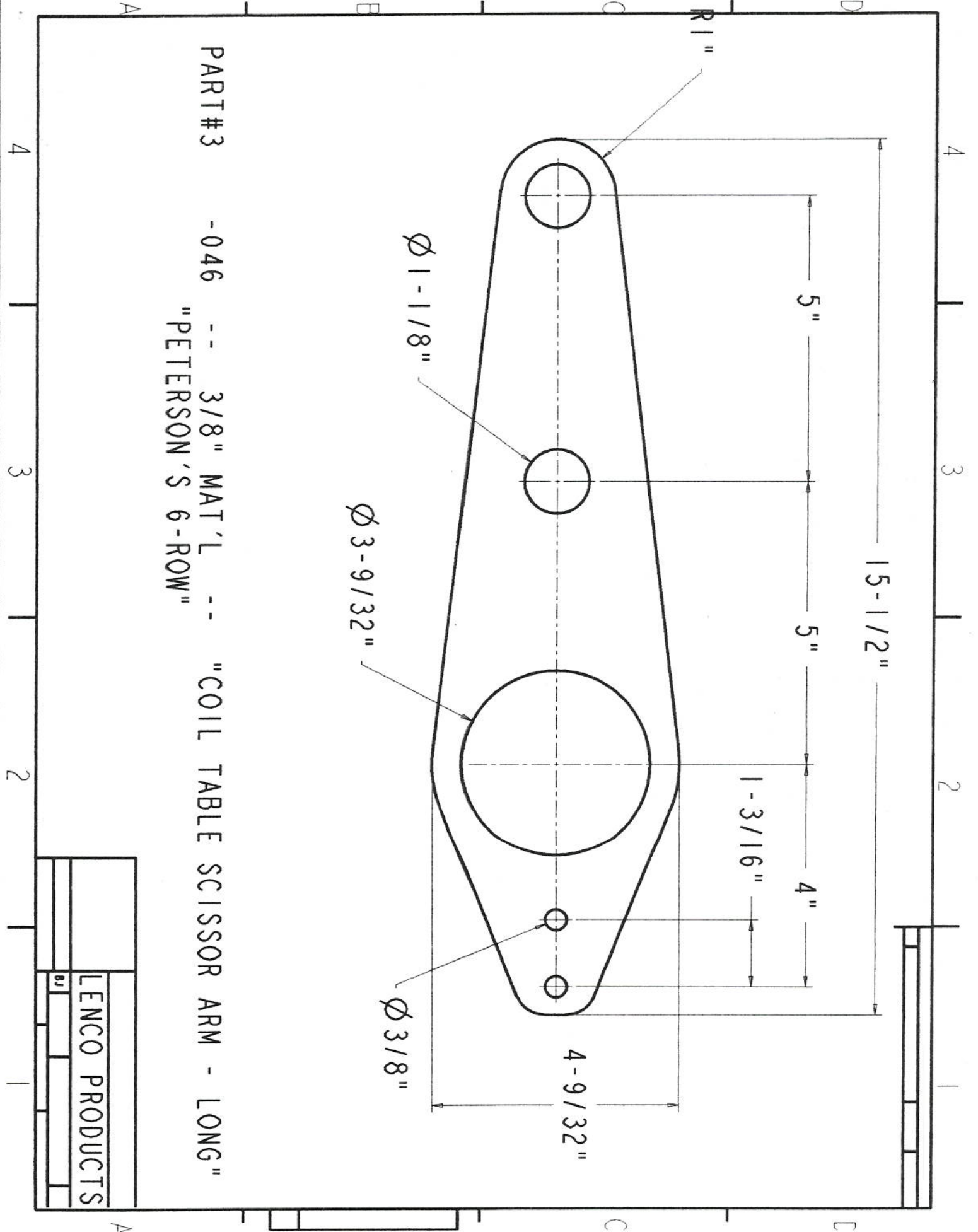
C

C



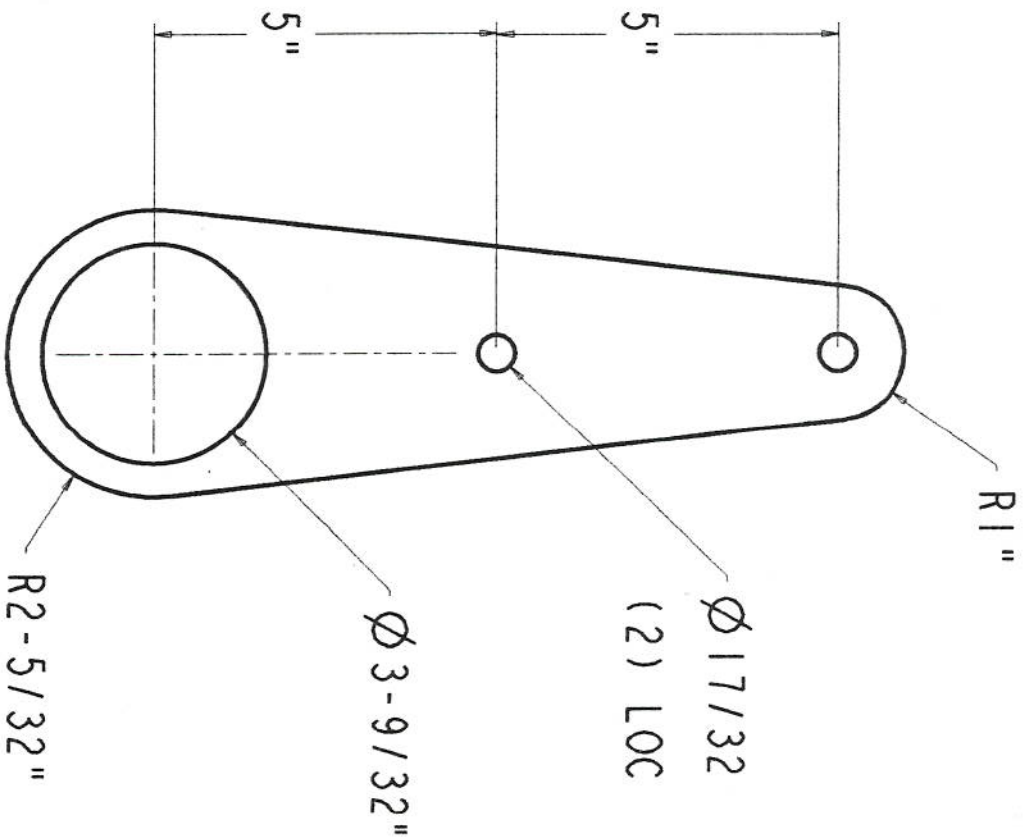
PART#3
 -046 -- 3/8" MAT'L -- "COIL TABLE SCISSOR ARM - SHORT"
 "PETERSON'S 6-ROW"

LENCO PRODUCTS	
81	



PART#3 -046 -- 3/8" MAT'L -- "COIL TABLE SCISSOR ARM - LONG"
 "PETERSON'S 6-ROW"

LENCO PRODUCTS	
01	



PART#3 -046 - 3/8" MAT'L - "COIL TABLE ARM"
 "PETERSON'S 6-ROW"

	LENCO MACHINE