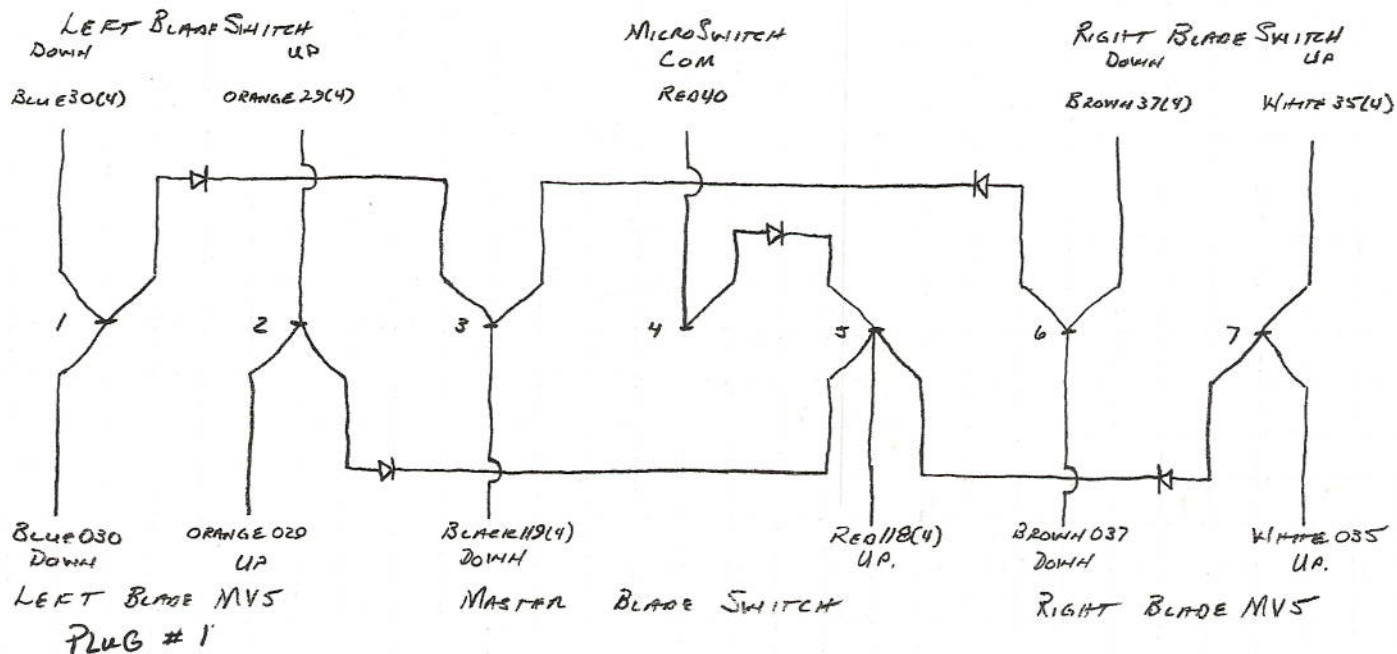


17084

Grass

4RSPH $\frac{1}{65}$ " AH

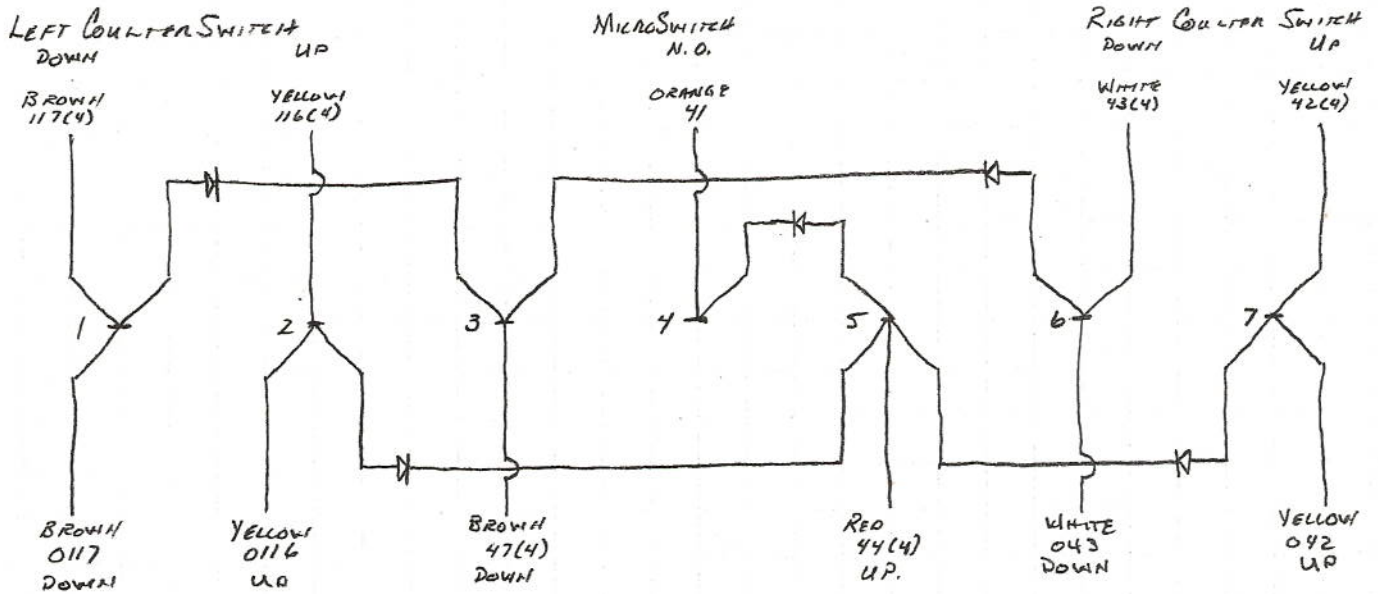
BLADE / GUILTER CONTROL TOP TERMINAL STRIP



PIN	COLOR	WIRE # (4)
1	BLUE	30 (4)
2	ORANGE	29 (4)
3	RED	40
4	BROWN	37 (4)
5	WHITE	35 (4)
6		
7	BLUE	030
8	ORANGE	029
9	BLACK	119 (4)
10	RED	118 (4)
11	BROWN	037
12	WHITE	035
13		
14		
15		
16		

COMPONENT	SPECIFICATION	P/N	DESCRIPTION
RECTIFIER	6A	2001-0179	
		266-0086 (276-1661)	
		78357/14069	ENCLOSURE Q131310 PCE
		5B371	MOUNTING TRACK
		5B364	TERMINAL BLOCK
		5B373	EHO CLAMP

BLADE / COULTER CONTROL BOTTOM TERMINAL STRIP



LEFT COULTER MVS
PLUG #2

MASTER COULTER SWITCH

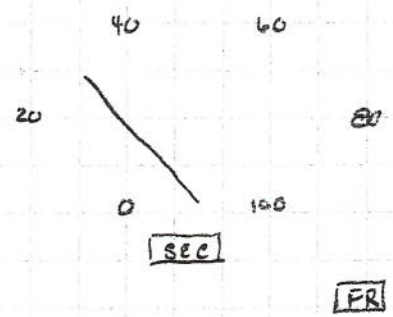
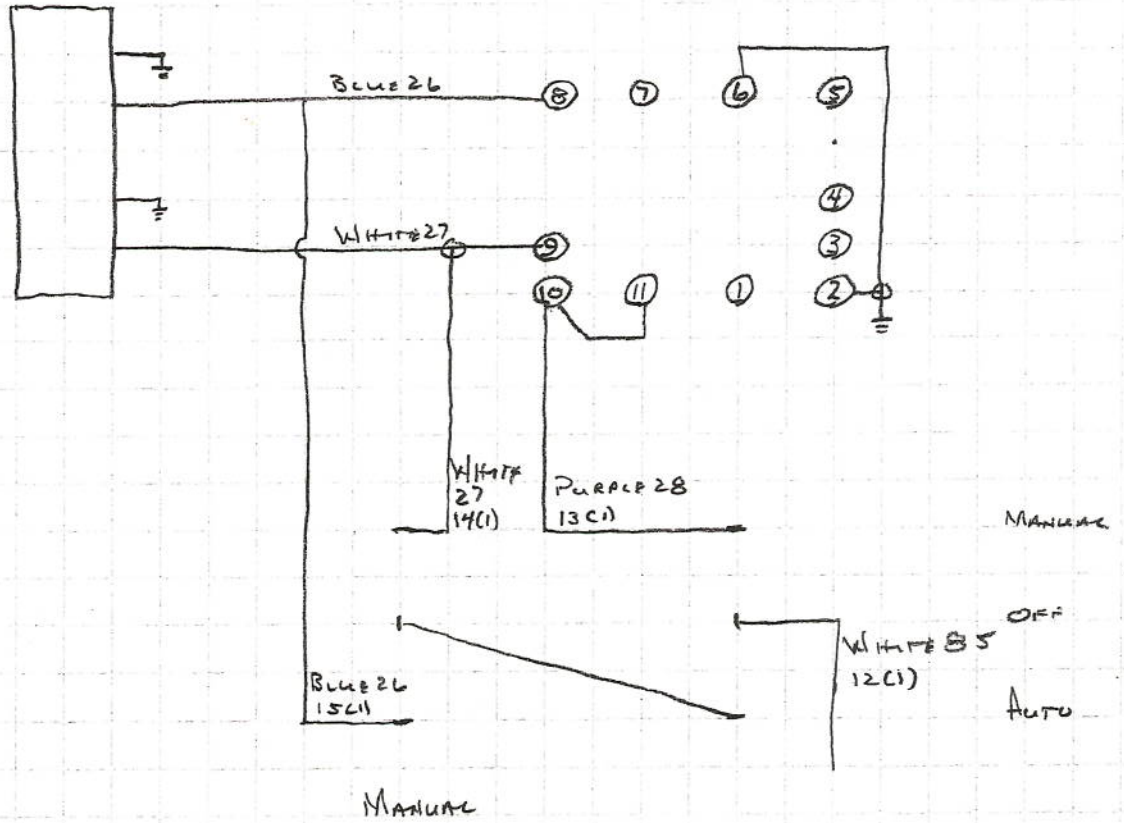
RIGHT COULTER MVS

PIN 1	BROWN	117 (4)
2	YELLOW	116 (4)
3	ORANGE	41
4	WHITE	43 (4)
5	YELLOW	42 (4)
6	BROWN	0117
7	YELLOW	0116
8	BROWN	47 (4)
9	RED	44 (4)
10	WHITE	043
11	YELLOW	042
12		
13		
14		
15		
16		

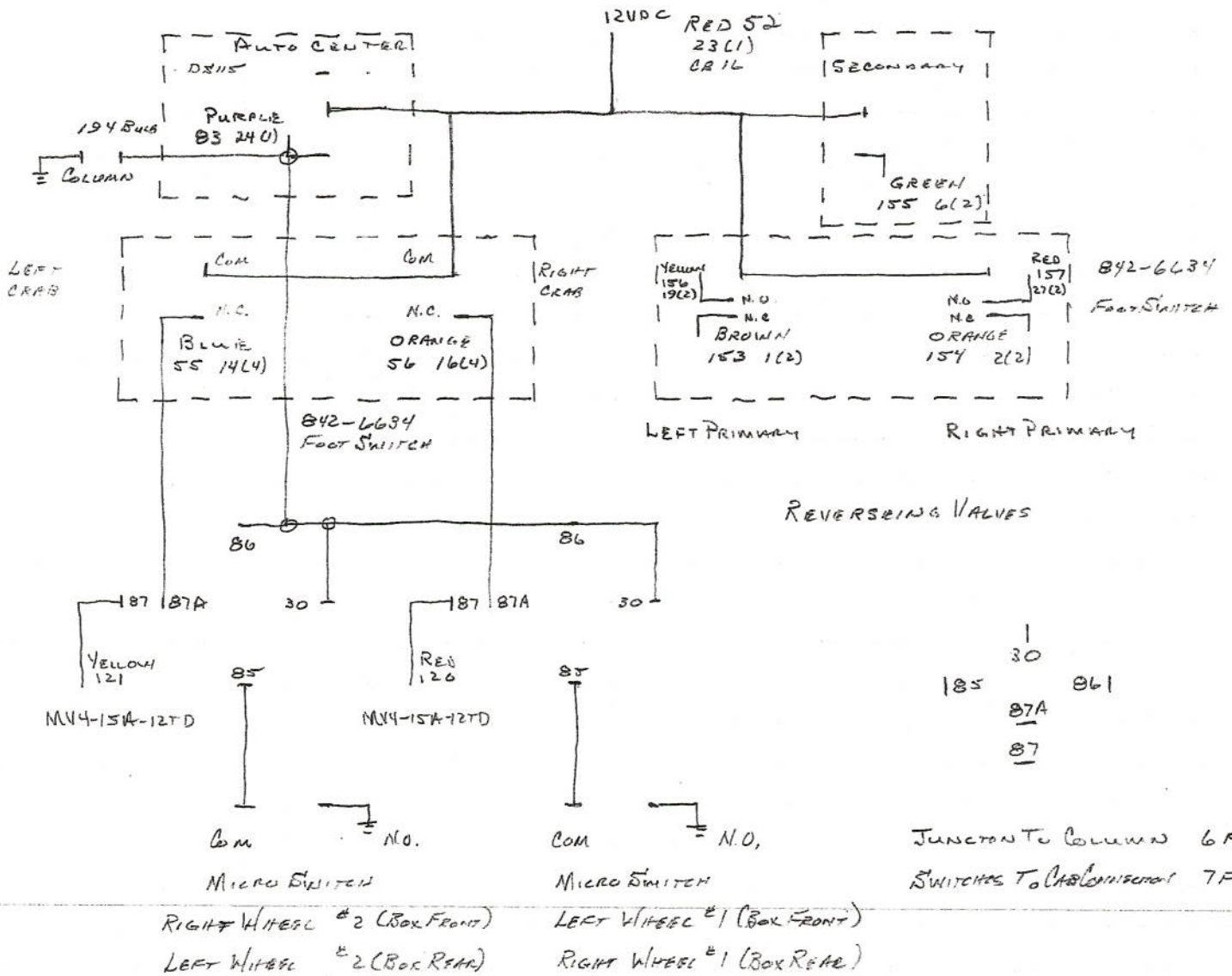
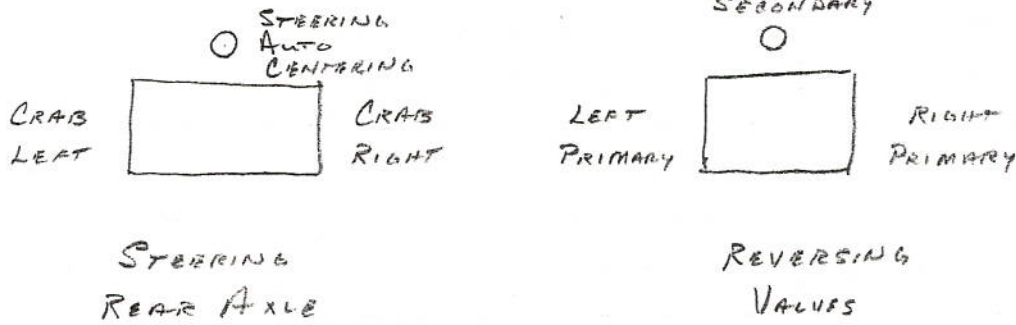


RECTIFIER	6A
P/N	266-0086 (276-1641)
ENCLOSURE	78351/14069 (Q131316 PCE)
MOUNTING TRACK	58371
TERMINAL BLOCK	58364
END CLAMP	58373

AIR HEAD CLEANER



FOOT PEDAL SWITCHES



Foot Pedal Switches

CENTERING

UPPER
SECONDARY

S T E E R I N G

R E V E R S I N G

LEFT

RIGHT

LEFT
PRIMARY

RIGHT
PRIMARY

CENTERING

(STEERING COLUMN)

A. H. FAH

7640

FUEL WARN

7640

GROUND DRIVE

874-13

LOW

HYDRAULIC

OIL

4. RANGE

22464

Lo RANGE

GROUND

DRIVE

4X4

76613

4X2

22464

FUEL PUMP

GROUND

DRIVE

Base 40

22464

LIGHTS

76613

FLASHERS

PARKING
BRAKE

22464

OFF

22464

STROBE

LIGHT

