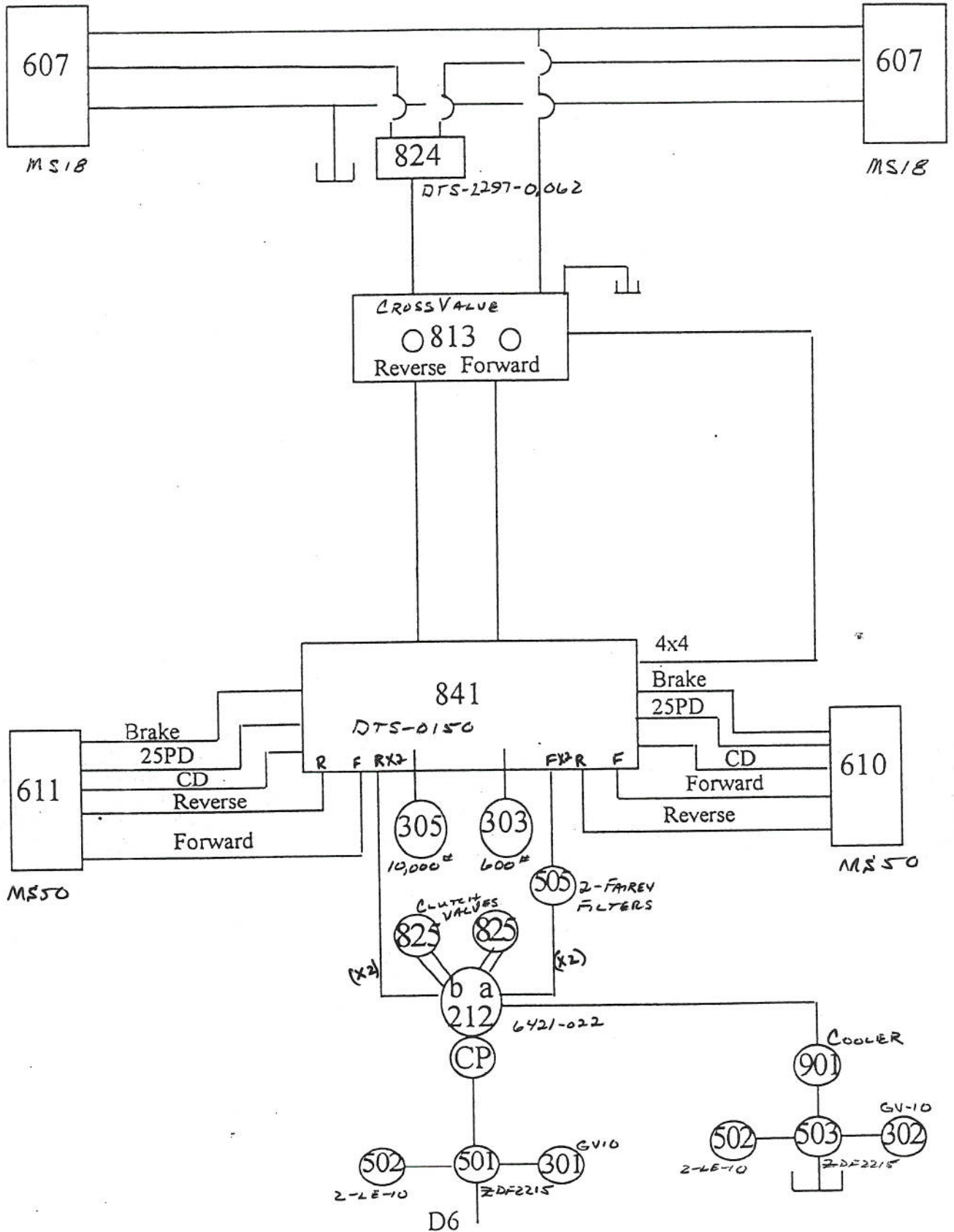


#1502/1503

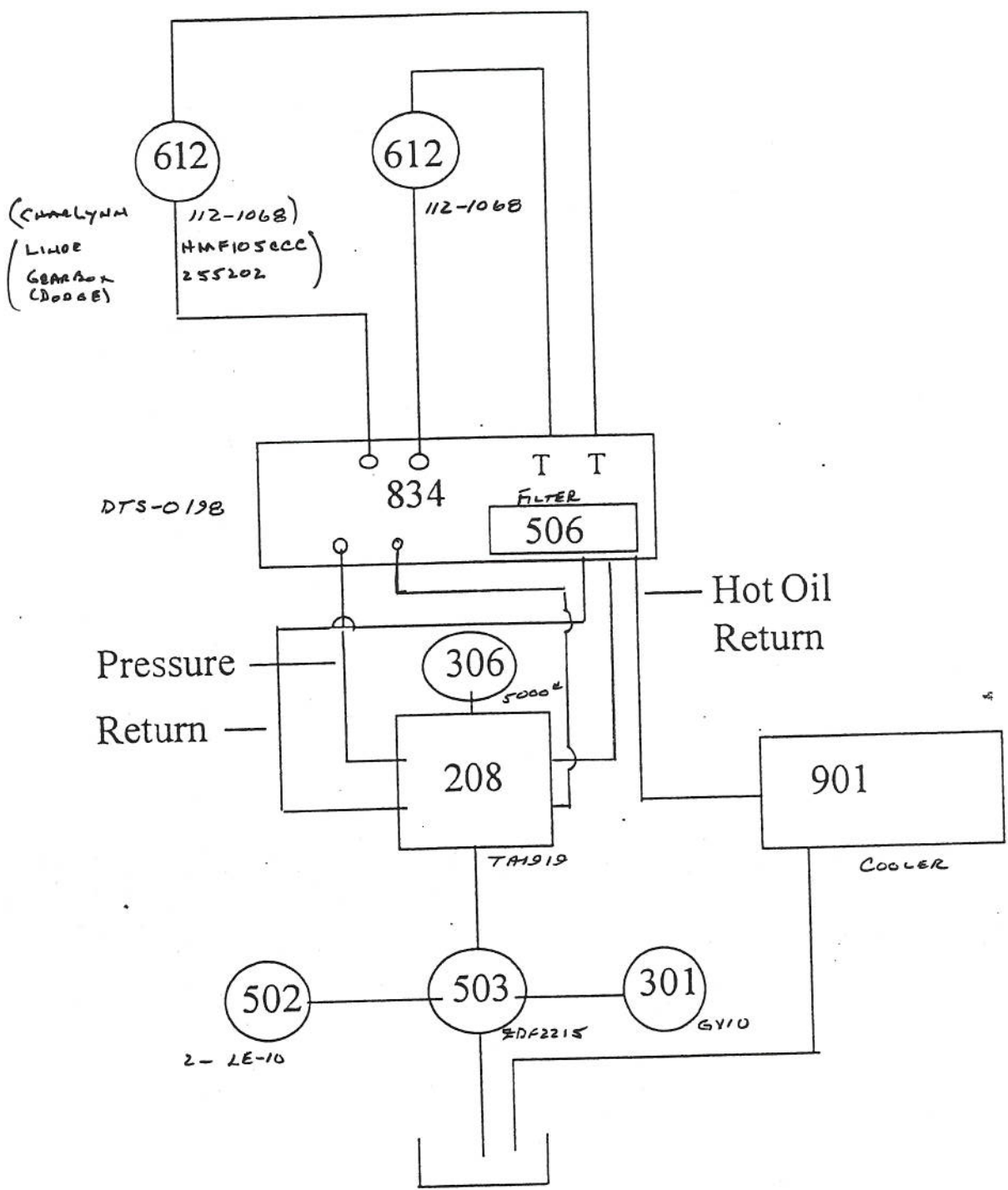
1<1a115 B105

6 R5PH. ST.

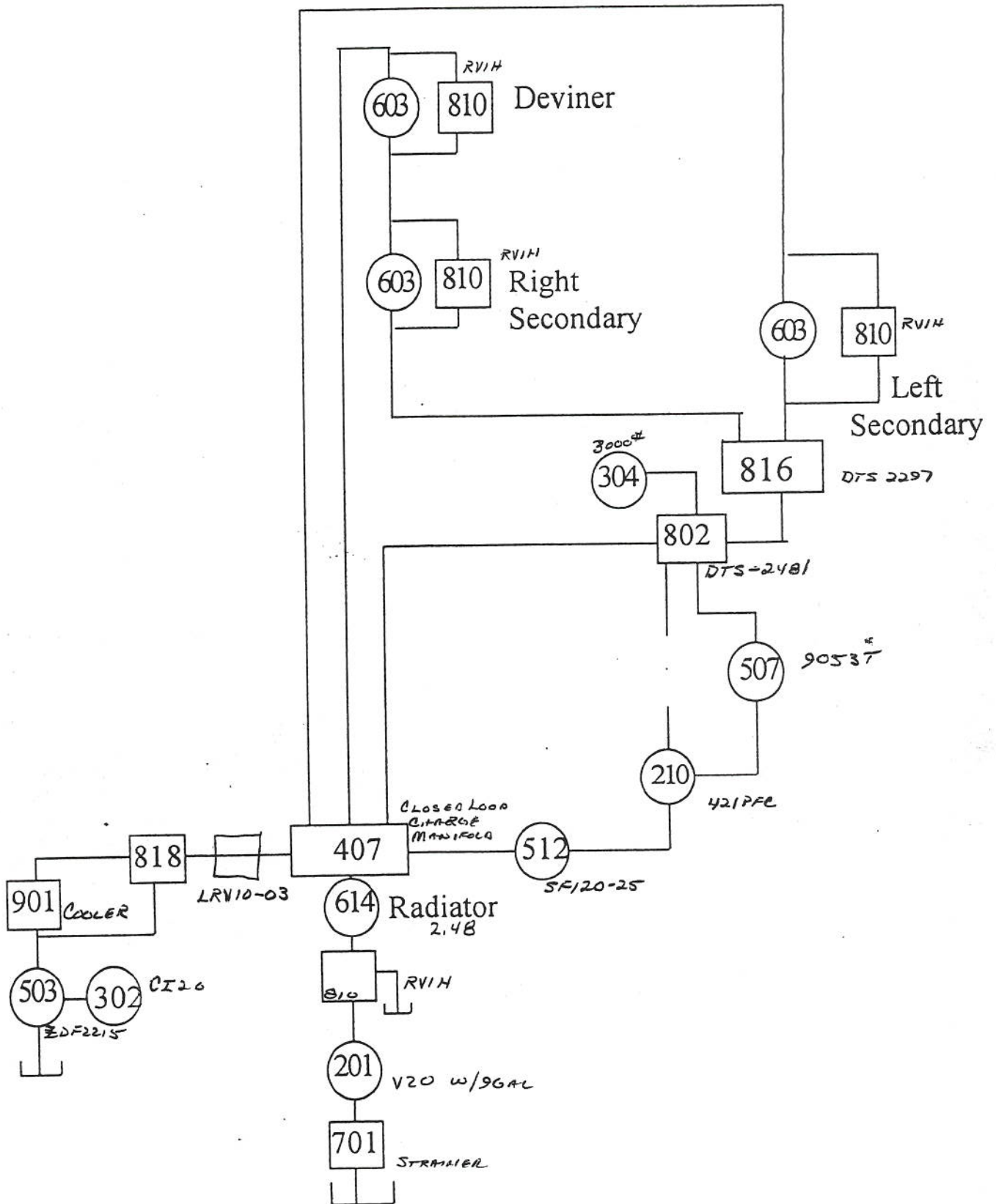
# 6 Row Straight Thru Ground Drive



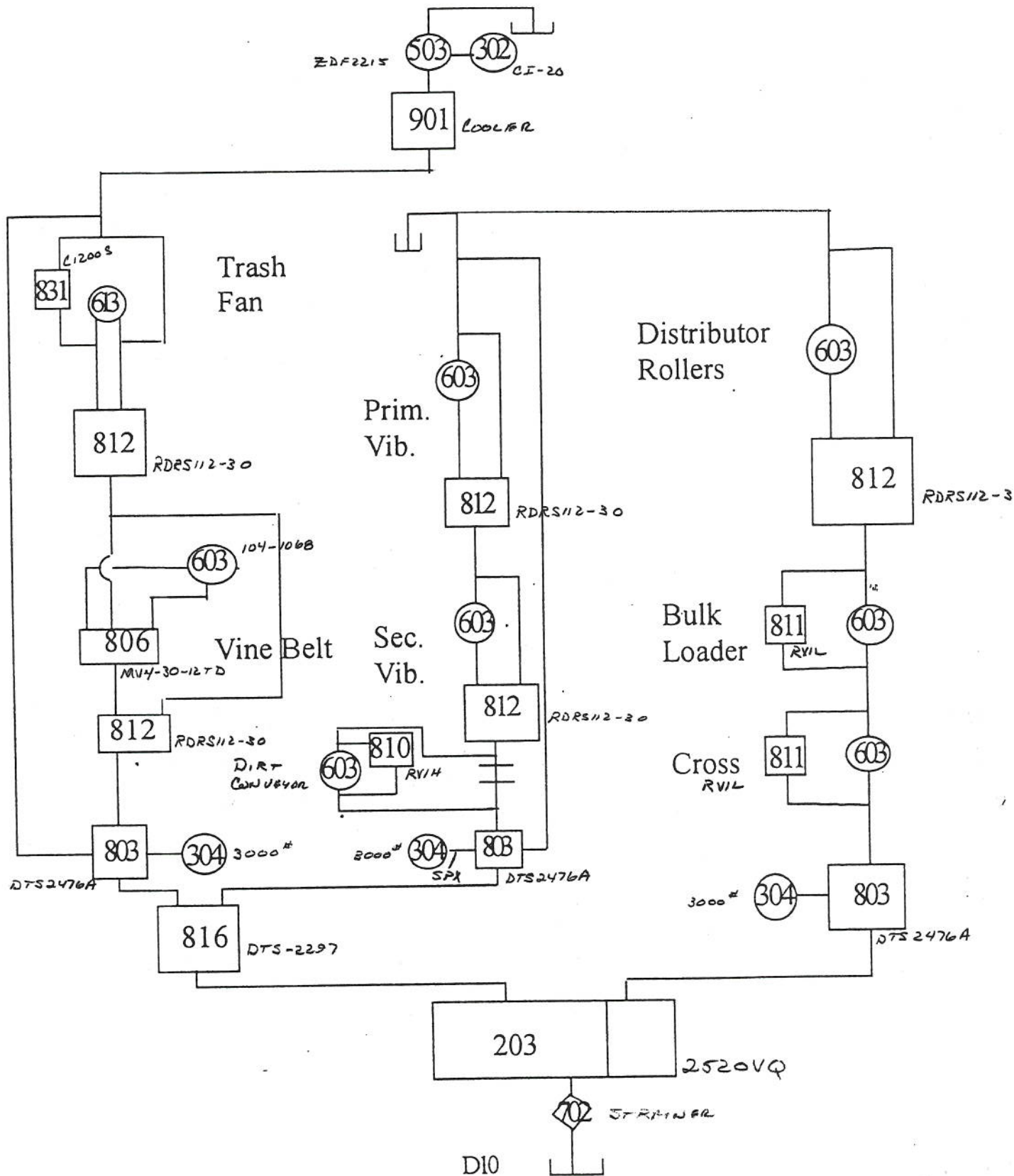
# 6 Row Straight Thru Primary Circuit



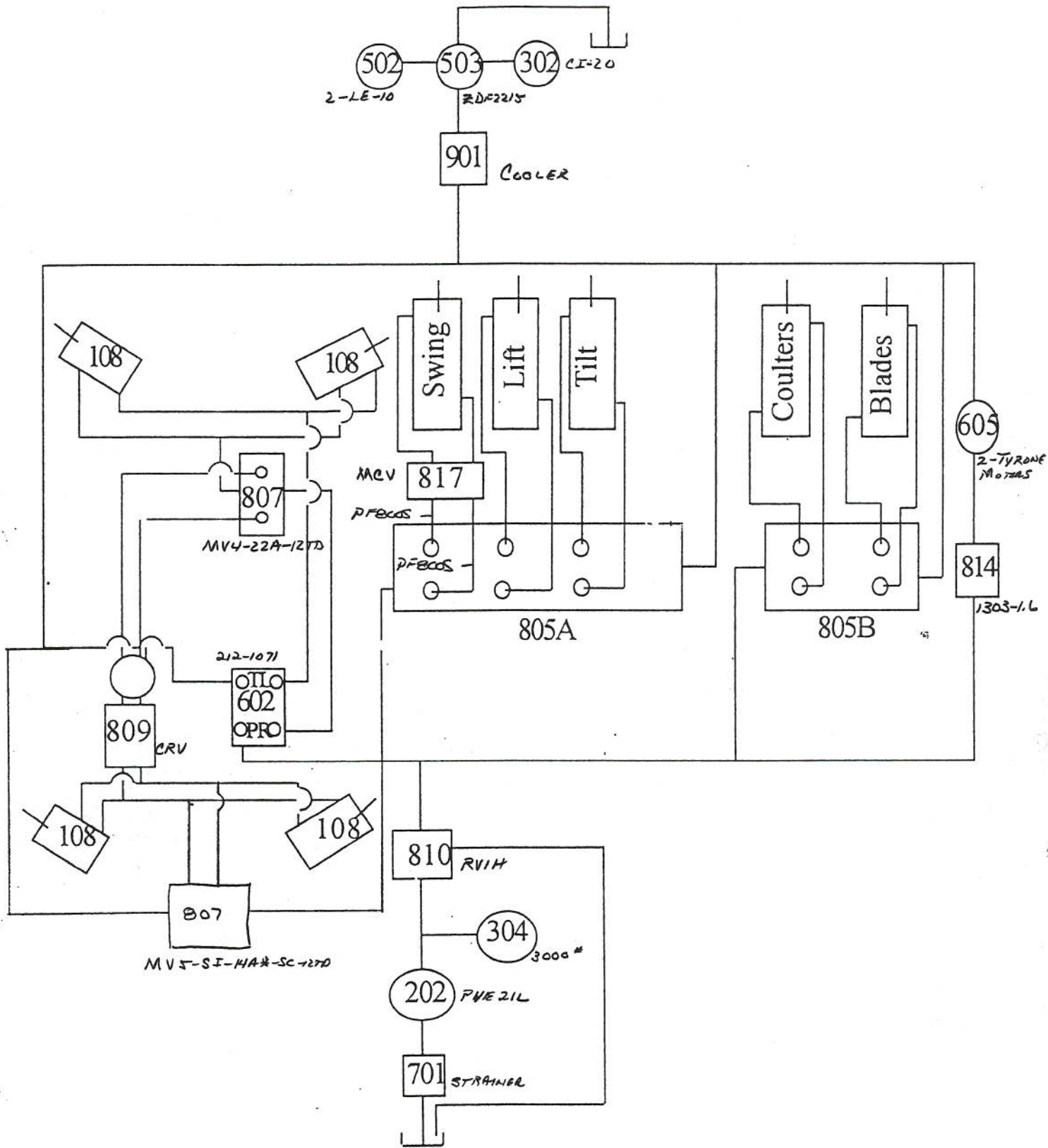
# 6 Row Straight Thru Left Secondary-Right Secondary-Deviner



# 6 Row Straight Thru Trash Fan-Vine Belt-Secondary Vibrator- Primary Vibrator-Cross-Bulk Loader-Star Rollers



# 6 Row Straight Thru Steering-Valve Bank-Cooler



1507 & 1502

WATTS Bros

6 Row ST. THRU

34" Row

Narrow Frame 32" C-HAIN

Prim  $7/16 \times 32 \times 45$  mm

Sec  $7/16 \times 65 \times 45$  mm

Dev  $5/8 \times 65 \times 150$  mm

Cross  $7/16 \times 40 \times 45$  mm

Boom  $7/16 \times 40 \times 45$  mm

Vibrators Prim & Secondary

FT Tires  $14.00 \times 24 \times 12$

Rear Tires  $6.6-43 \times 25$

855 450 HP 4 HO6 Box

MS50 W TAN-DAP 64 & MS 18+20

Double ST COULTERS

4 W Drive

Finger BELT

TRASH BELT UNDER Finger BELT

Rear STEERING

CAB sideways

DISTRIBUTOR Rows - LEFT 2 Rows